



The 8261 Series is a 2-way direct acting valve available in Normally Closed or Normally Open constructions. They are available either AC or DC operated with brass bodies. They come standard with DIN connection coils. Options are limited to flying leads and some alternate elastomers. Dedicated constructions of the 8261 Series are suitable for the following applications:

- General Service (air, inert gas, water, and light oil)

Construction

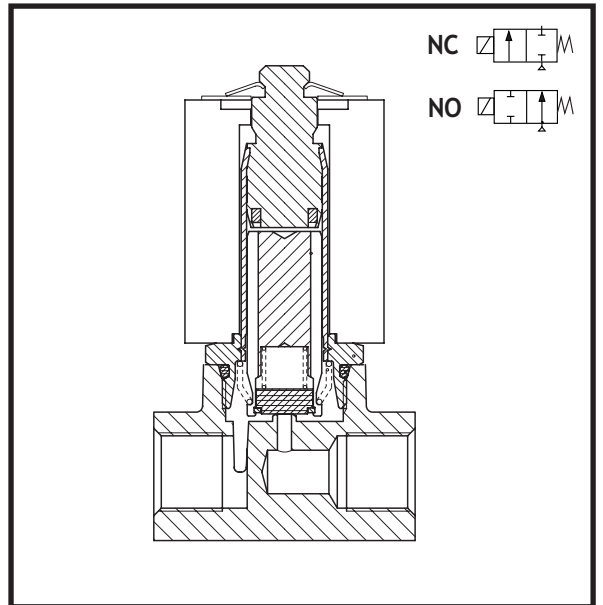
Valve Parts in Contact with Fluids	
General Service	
Body	Brass
Seals and Discs	See Capabilities Chart
Core Tube	Brass or Stainless Steel
Core and Plugnut	Stainless Steel
Springs	Stainless Steel
Shading Coil	Copper



Electrical

Standard Coil Class of Insulation	Watt Rating and Power Consumption				Ambient Temp. °F	DIN Spare Coil Family	DIN Connection Size
	DC Watts	AC					
A	5.9	5.9	7	10	15 to 140	Z833A	11 mm
F	6.0	6.0	10	16	15 to 140	Z614A	11 mm
F	9.2	9.2	14	23	15 to 140	ZA34A	18 mm
F	13.0	13.0	24	44	15 to 140	Z134A	18 mm

Standard Voltages: 24, 120, 240 volts AC, 60 Hz (or 110, 230 volts AC, 50 Hz). 12, 24 volts DC. Must be specified when ordering.





Specifications

Pipe Size (ins.)	Orifice Dia. (ins.)	Cv Flow	Operating Pressure Differential (psi)							Max. Fluid Temp. °F	Brass	Const. Ref.	UL ①	Wattage		Approx. Shipping Weight (lbs.)
			Min.	Max. AC			Max. DC							AC	DC	
				Air-Inert Gas	Water	Light Oil	Air-Inert Gas	Water	Light Oil							
General Service - Normally Closed																
1/8	1/16	0.11	0	435	435	435	435	435	250	SC8261S401V	1	<input type="checkbox"/>	9.2	9.2	1.3	
1/8	5/64	0.13	0	145	145	145	90	90	195	SA8261S402	2	<input type="checkbox"/>	5.9	5.9	1.3	
1/8	3/32	0.18	0	290	230	230	290	230	250	SC8261S403V	1	<input type="checkbox"/>	9.2	9.2	1.3	
1/8	1/8	0.29	0	100	90	90	20	17	195	SC8261S404	3	<input type="checkbox"/>	6	6	1.3	
1/4	1/16	0.11	0	435	435	435	435	435	195	SC8261S405	4	<input type="checkbox"/>	9.2	9.2	1.3	
1/4	3/32	0.18	0	290	290	290	230	230	195	SC8261S406	4	<input type="checkbox"/>	9.2	9.2	1.3	
1/4	1/8	0.29	0	100	100	100	50	50	195	SC8261S407	5	<input type="checkbox"/>	6	6	1.3	
1/4	1/8	0.35	0	175	175	175	60	60	195	SC8261S408	4	<input type="checkbox"/>	9.2	9.2	1.3	
1/4	11/64	0.47	0	36	36	36	15	15	195	SC8261S409	5	<input type="checkbox"/>	6	6	1.3	
1/4	11/64	0.59	0	120	120	120	60	60	195	SC8261S410	6	<input type="checkbox"/>	13	13	1.8	
1/4	15/64	0.76	0	15	15	15	5	5	195	SC8261S411	5	<input type="checkbox"/>	6	6	1.3	
1/4	15/64	0.82	0	50	50	50	36	36	195	SC8261S412	6	<input type="checkbox"/>	13	13	1.8	
1/4	5/16	0.93	0	145	145	145	145	145	195	SC8261S413	7	<input type="checkbox"/>	9.2	9.2	2.0	
General Service - Normally Open																
1/4	1/8	0.35	0	70	70	70	70	70	195	SC8261S417V	10	<input type="checkbox"/>	9.2	9.2	2.0	
1/4	1/8	0.35	0	175	145	145	175	145	260	SC8261S418V	11	<input type="checkbox"/>	13	13	2.0	
Nickel Coated Model - Normally Closed																
1/8	5/64	0.13	0	145	145	-	90	90	195	SA8261S415E	2	<input type="checkbox"/>	5.9	5.9	1.3	
Nickel Coated Model - Normally Open																
1/4	1/8	0.35	0	60	60	60	60	60	195	SC8261T420V	11	<input type="checkbox"/>	9.2	9.2	2.0	

= Component Solenoid. ① With SU or SC prefix only.

Capabilities Chart

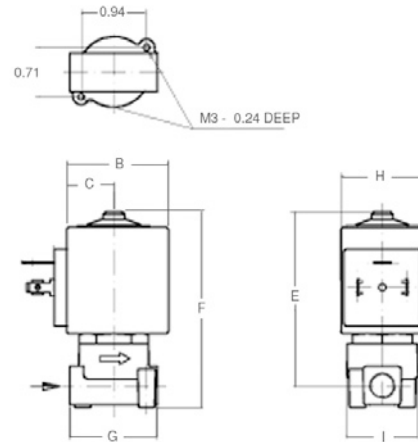
Solenoid Options							Base Catalog Number	Resilient Materials							Other	Standard Rebuild Kit			
NEMA Type 3-9	High Temp. (DIN Only)	Wiring Box Screw Terminal	Multipin	DIN	Spade	Open Frame with Leads ①	Brass	NBR	FKM	EPDM	Neoprene	Oxygen Service	PTFE	Urethane	Vacuum	Manual Operator	Mounting Bracket	Brass AC	Brass DC
-	SU	-	-	●	-	OF	SC8261S401V	-	●	-	-	-	-	-	-	-	-	322992	322992
-	SU	-	-	●	-	OF	SA8261S402	●	V	-	-	-	-	-	-	-	-	322993	322993
-	SU	-	-	●	-	OF	SC8261S403V	-	●	-	-	-	-	-	-	-	-	322992	322992
-	SU	-	-	●	-	OF	SC8261S404	●	V	-	-	-	-	-	-	-	-	322996	322996
-	SU	-	-	●	-	OF	SC8261S405	●	V	-	-	-	-	-	-	-	-	322998	322998
-	SU	-	-	●	-	OF	SC8261S406	●	V	-	-	-	-	-	-	-	-	322998	322998
-	SU	-	-	●	-	OF	SC8261S407	●	V	-	-	-	-	-	-	-	-	322996	323003
-	SU	-	-	●	-	OF	SC8261S408	●	V	-	-	-	-	-	-	-	-	322998	322998
-	SU	-	-	●	-	OF	SC8261S409	●	V	-	-	-	-	-	-	-	-	323008	323009
-	SU	-	-	●	-	-	SC8261S410	●	V	-	-	-	-	-	-	-	-	323012	323012
-	SU	-	-	●	-	OF	SC8261S411	●	V	-	-	-	-	-	-	-	-	323018	323019
-	SU	-	-	●	-	-	SC8261S412	●	V	-	-	-	-	-	-	-	-	323012	323012
-	SU	-	-	●	-	OF	SC8261S413	●	V	-	-	-	-	-	-	-	-	323202	323202
-	SU	-	-	●	-	OF	SC8261S417V	-	●	-	-	-	-	-	-	-	-	323021	323021
-	SU	-	-	●	-	-	SC8261S418V	-	●	-	-	-	-	-	-	-	-	323021	323021
-	SU	-	-	●	-	OF	SA8261S415E	-	-	●	-	-	-	-	-	-	-	323020	323020
-	SU	-	-	●	-	OF	SC8261T420V	-	●	-	-	-	-	-	-	-	-	323184	323184

● = Standard . ① Drop the SC when applying the OF prefix.

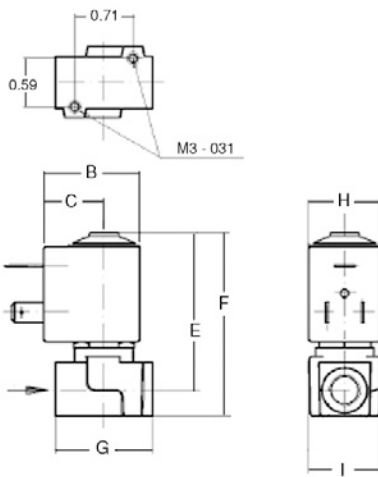
Dimensions: inches

Const. Ref.	A	B	C	D	E	F	G	H	I
1	-	1.64	0.85	-	2.50	2.81	1.26	1.18	1.02
2	-	1.16	0.73	-	1.93	2.24	1.18	0.87	0.87
3	-	1.32	0.83	-	2.17	2.52	1.06	0.98	0.98
4	-	1.64	0.85	-	2.57	3.00	1.65	1.18	1.26
5	-	1.32	0.83	-	2.17	2.56	1.69	0.98	0.98
6	-	1.93	1.10	-	2.66	3.15	1.57	1.65	1.28
7	-	1.69	1.06	-	2.69	3.18	1.57	1.26	1.28
10	-	1.93	1.10	-	2.74	3.18	1.65	1.65	1.26
11	-	1.69	1.06	-	2.93	3.35	1.65	1.26	1.26

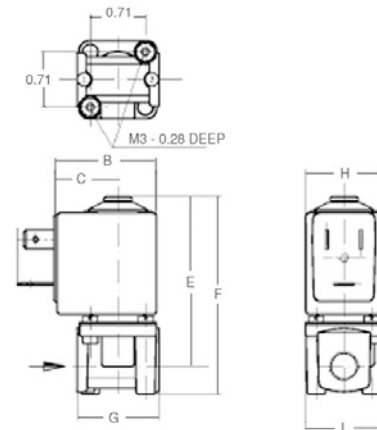
Const. Ref. 1



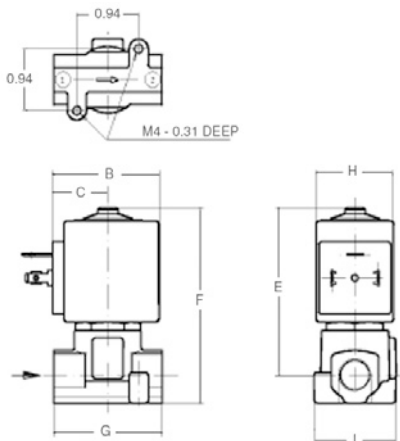
Const. Ref. 2



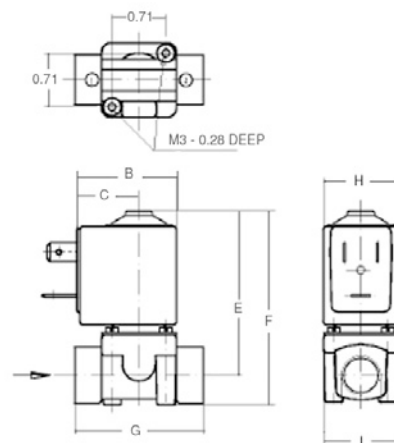
Const. Ref. 3, 7



Const. Ref. 4

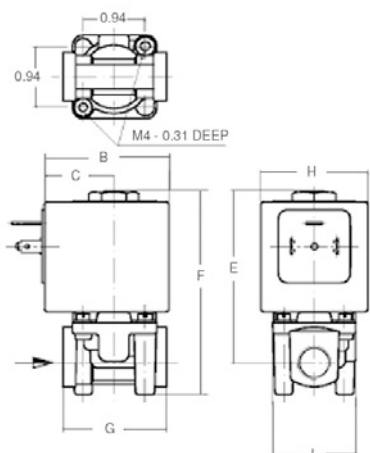


Const. Ref. 5

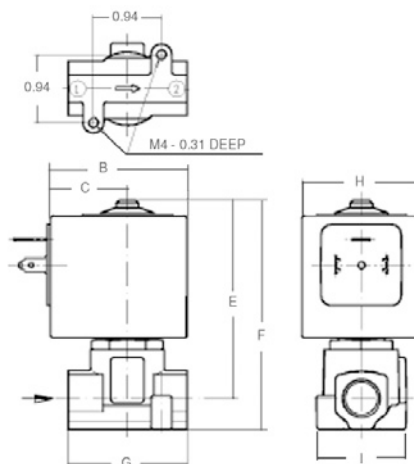


Dimensions: inches

Const. Ref. 6



Const. Ref. 10



Const. Ref. 11

