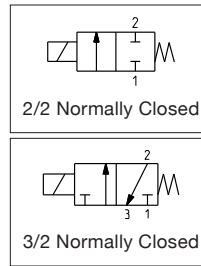


- The RB Series solenoid valves are designed for use with air and inert gases
- Highly customizable construction that is suitable for a wide variety of gas applications
- Compact light-weight architecture and low power consumption make them ideal for portable medical devices
- Exceptional service lifetime over 100 million cycles that increases OEM instrument reliability
- Meets all relevant CE directives, and is RoHS compliant
- Typical applications include:
  - Respiratory Therapy
  - Patient Monitoring
  - Compression Therapy (DVT)
  - Robotic Pharmacy Dispensing



Fluids*	Temperature Range	Seal Materials*
Air or Inert Gas <sup>1</sup>	0 °C to 60 °C (32 °F to 140 °F)	FKM
		NBR

<sup>1</sup> filtered at 10µm

\* Ensure that the compatibility of the fluids in contact with the materials is verified

NOTE: Additional constructions and options are available including alternate elastomers and orifice sizes. Minimum quantities apply.

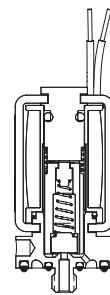
General Valve Information	
Body	PBT, brass
Seals	NBR, FKM on request
Others	Stainless steel
Response Time	< 10ms
Vacuum Rating	-0.9 bar (13 psi)

Electrical Characteristics	
Standard Voltages*	5 VDC, 12 VDC, 24 VDC
Power Consumption	0.5 to 2.0 W

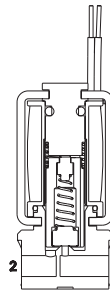
\* Other voltages on request

NOTE: The solenoid valves are designed for continuous operation within the maximum ambient temperature limits

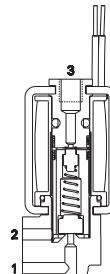
Insulation Class	Coil Insulation	Protection	Ambient Temperature Range	Electrical Connection
	°C (°F)	VA	°C (°F)	
B	130 (266)	IP30 (EN 60529)	0 to 60 (32 to 140)	Lead wires 26 AWG or circuit board mount



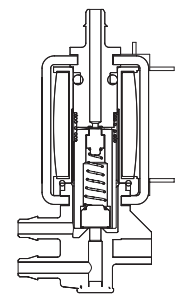
2/2 NC Manifold Mount



2/2 NC Line Mount



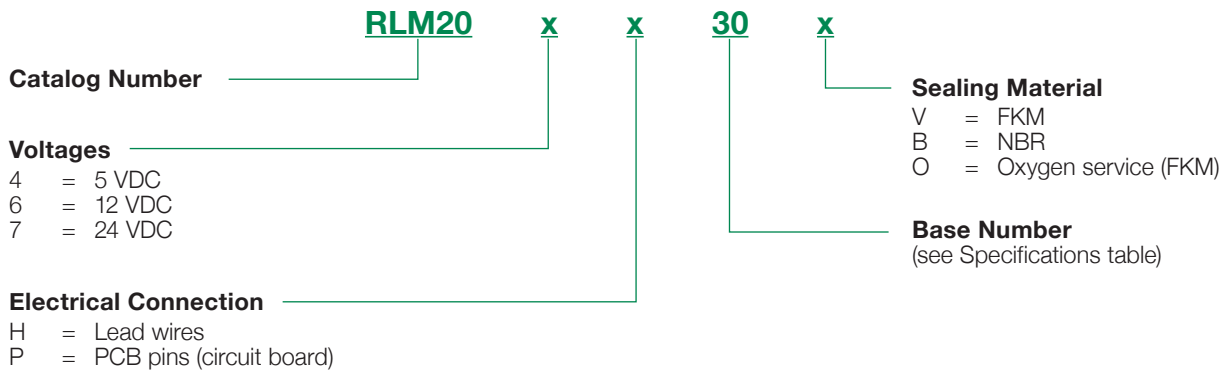
3/2 NC Pad Mount



3/2 NC Push-in Hose Connection

Specifications							
Connection	Orifice Size	Flow Coefficient		Pressure Differential bar (psi)		Power Coil	Catalog Number
		mm (inches)	Kv (m <sup>3</sup> /h)	Cv	min.		
<b>2/2 NC - Normally Closed</b>							
10-32 UNF Stud Manifold Mount, Brass (M)	0.8 (0.031)	0.33	0.011	-0.9 (-13)	3.4 (50)	0.5	RLM20xx30x
	0.8 (0.031)	0.33	0.011	-0.9 (-13)	6.9 (100)	2.0	RHM20xx30x
	1.30 (0.051)	0.99	0.033	-0.9 (-13)	1.0 (15)	0.5	RLM20xx50x
	1.30 (0.051)	0.99	0.033	-0.9 (-13)	3.4 (50)	1.0	RMM20xx50x
	1.30 (0.051)	0.99	0.033	-0.9 (-13)	6.9 (100)	2.0	RHM20xx50x
	2.00 (0.079)	1.68	0.056	-0.9 (-13)	1.0 (15)	2.0	RHM20xx80x
10-32 UNF Female In-Line, Brass (L)	0.8 (0.031)	0.33	0.011	-0.9 (-13)	3.4 (50)	0.5	RLL20xx30x
	0.8 (0.031)	0.33	0.011	-0.9 (-13)	6.9 (100)	2.0	RHL20xx30x
	1.30 (0.051)	0.99	0.033	-0.9 (-13)	1.0 (15)	0.5	RLL20xx50x
	1.30 (0.051)	0.99	0.033	-0.9 (-13)	3.4 (50)	1.0	RML20xx50x
	1.30 (0.051)	0.99	0.033	-0.9 (-13)	6.9 (100)	2.0	RHL20xx50x
	2.00 (0.079)	1.68	0.056	-0.9 (-13)	1.0 (15)	2.0	RHL20xx80x
3.17mm (0.125in) Push-in Hose Connector PBT (B)	0.8 (0.031)	0.33	0.011	-0.9 (-13)	1.0 (15)	0.5	RLB20xx30x
	0.8 (0.031)	0.33	0.011	-0.9 (-13)	3.4 (50)	1.0	RMB20xx30x
	0.8 (0.031)	0.33	0.011	-0.9 (-13)	6.9 (100)	2.0	RHB20xx30x
	1.30 (0.051)	0.99	0.033	-0.9 (-13)	0.7 (10)	0.5	RLB20xx50x
	1.30 (0.051)	0.99	0.033	-0.9 (-13)	2.4 (35)	1.0	RMB20xx50x
	1.30 (0.051)	0.99	0.033	-0.9 (-13)	4.8 (70)	2.0	RHB20xx50x
	2.00 (0.079)	1.68	0.056	-0.9 (-13)	1.7 (25)	2.0	RHB20xx80x
Pad Mount, PBT (F)	0.8 (0.031)	0.33	0.011	-0.9 (-13)	1.0 (15)	0.5	RLF20xx30x
	0.8 (0.031)	0.33	0.011	-0.9 (-13)	3.4 (50)	1.0	RMF20xx30x
	0.8 (0.031)	0.33	0.011	-0.9 (-13)	6.9 (100)	2.0	RHF20xx30x
	1.30 (0.051)	0.99	0.033	-0.9 (-13)	0.7 (10)	0.5	RLF20xx50x
	1.30 (0.051)	0.99	0.033	-0.9 (-13)	2.4 (35)	1.0	RMF20xx50x
	1.30 (0.051)	0.99	0.033	-0.9 (-13)	4.8 (70)	2.0	RHF20xx50x
	2.00 (0.079)	1.68	0.056	-0.9 (-13)	1.7 (25)	2.0	RHF20xx80x

## How to Order



Ordering Example: **RLM204H30B** = 2-way (normally closed), 5 VDC, manifold mount with 0.8mm (0.031in) orifice, 0.5 Watt, lead wires, NBR seals

Specifications										
Connection	Orifice Size		Flow Coefficient				Pressure Differential bar (psi)		Power Coil W	Catalog Number
	mm (inches)		Kv (m <sup>3</sup> /h)		Cv		min.	max. air, inert gas		
	Port 1	Port 3	Port 1	Port 3	Port 1	Port 3				
<b>3/2 NC - Normally Closed</b>										
10-32 UNF Stud Manifold Mount, Brass (M)	0.8 (0.031)	1.0 (0.040)	0.33	0.33	0.011	0.018	-0.9 (-13)	3.4 (50)	0.5	RLM3xxx34x
	0.8 (0.031)	1.0 (0.040)	0.33	0.33	0.011	0.018	-0.9 (-13)	6.9 (100)	2.0	RHM3xxx34x
	1.30 (0.051)	1.3 (0.051)	0.99	0.87	0.033	0.029	-0.9 (-13)	1.0 (15)	0.5	RLM3xxx55x
	1.30 (0.051)	1.3 (0.051)	0.99	0.87	0.033	0.029	-0.9 (-13)	3.4 (50)	1.0	RMM3xxx55x
	1.30 (0.051)	1.3 (0.051)	0.99	0.87	0.033	0.029	-0.9 (-13)	6.9 (100)	2.0	RHM3xxx55x
	2.00 (0.079)	1.3 (0.051)	1.68	0.87	0.056	0.029	-0.9 (-13)	1.7 (25)	2.0	RHM3xxx85x
10-32 UNF Female In-Line, Brass (L)	0.8 (0.031)	1.0 (0.040)	0.33	0.33	0.011	0.018	-0.9 (-13)	3.4 (50)	0.5	RL3xxx34x
	0.8 (0.031)	1.0 (0.040)	0.33	0.33	0.011	0.018	-0.9 (-13)	6.9 (100)	2.0	RHL3xxx34x
	1.30 (0.051)	1.3 (0.051)	0.99	0.87	0.033	0.029	-0.9 (-13)	1.0 (15)	0.5	RL3xxx55x
	1.30 (0.051)	1.3 (0.051)	0.99	0.87	0.033	0.029	-0.9 (-13)	3.4 (50)	1.0	RML3xxx55x
	1.30 (0.051)	1.3 (0.051)	0.99	0.87	0.033	0.029	-0.9 (-13)	6.9 (100)	2.0	RHL3xxx55x
	2.00 (0.079)	1.3 (0.051)	1.68	0.87	0.056	0.029	-0.9 (-13)	1.7 (25)	2.0	RHL3xxx85x
3.17mm (0.125in) Push-in Hose Connector PBT (B)	0.8 (0.031)	1.0 (0.040)	0.33	0.33	0.011	0.018	-0.9 (-13)	1.0 (15)	0.5	RLB3xxx34x
	0.8 (0.031)	1.0 (0.040)	0.33	0.33	0.011	0.018	-0.9 (-13)	3.4 (50)	1.0	RMB3xxx34x
	0.8 (0.031)	1.0 (0.040)	0.33	0.33	0.011	0.018	-0.9 (-13)	6.9 (100)	2.0	RHB3xxx34x
	1.30 (0.051)	1.3 (0.051)	0.99	0.87	0.033	0.029	-0.9 (-13)	0.7 (10)	0.5	RLB3xxx55x
	1.30 (0.051)	1.3 (0.051)	0.99	0.87	0.033	0.029	-0.9 (-13)	2.4 (35)	1.0	RMB3xxx55x
	1.30 (0.051)	1.3 (0.051)	0.99	0.87	0.033	0.029	-0.9 (-13)	4.8 (70)	2.0	RHB3xxx55x
	2.00 (0.079)	1.3 (0.051)	1.68	0.87	0.056	0.029	-0.9 (-13)	1.7 (25)	2.0	RHB3xxx85x
Pad Mount, PBT (F)	0.8 (0.031)	1.0 (0.040)	0.33	0.33	0.011	0.018	-0.9 (-13)	1.0 (15)	0.5	RLF3xxx34x
	0.8 (0.031)	1.0 (0.040)	0.33	0.33	0.011	0.018	-0.9 (-13)	3.4 (50)	1.0	RMF3xxx34x
	0.8 (0.031)	1.0 (0.040)	0.33	0.33	0.011	0.018	-0.9 (-13)	6.9 (100)	2.0	RHF3xxx34x
	1.30 (0.051)	1.3 (0.051)	0.99	0.87	0.033	0.029	-0.9 (-13)	0.7 (10)	0.5	RLF3xxx55x
	1.30 (0.051)	1.3 (0.051)	0.99	0.87	0.033	0.029	-0.9 (-13)	2.4 (35)	1.0	RMF3xxx55x
	1.30 (0.051)	1.3 (0.051)	0.99	0.87	0.033	0.029	-0.9 (-13)	4.8 (70)	2.0	RHF3xxx55x
	2.00 (0.079)	1.3 (0.051)	1.68	0.87	0.056	0.029	-0.9 (-13)	1.7 (25)	2.0	RHF3xxx85x

## How to Order

**RLM3** **x** **x** **x** **30** **x**

**Catalog Number** \_\_\_\_\_

**Port 3 Style** \_\_\_\_\_  
 B = 3.2mm (0.125in) push-in hose connection  
 F = 10-32 UNF female

**Voltages** \_\_\_\_\_  
 4 = 5 VDC  
 6 = 12 VDC  
 7 = 24 VDC

**Sealing Material**  
 V = FKM  
 B = NBR  
 O = Oxygen service (FKM)

**Base Number**  
 (see Specifications table)

**Electrical Connection**  
 H = Lead Wires  
 P = PCB pins (circuit board)

Ordering Example: **RLM3B7P34V** = 3-way (normally closed), 24 VDC, port 3 with push-in hose connection, manifold mount with 0.8mm (0.031in) orifice, 0.5 Watt, PCB pins, FKM seals

## Options

- Other seal materials available on request
- Other voltages and electrical connections available
- Oxygen service
- Other pipe connections available on request

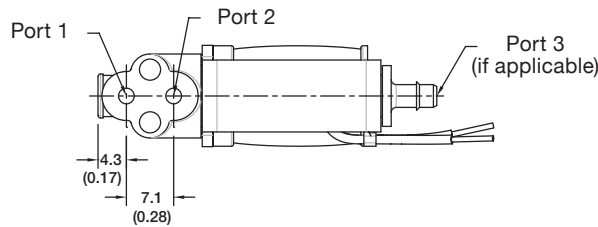
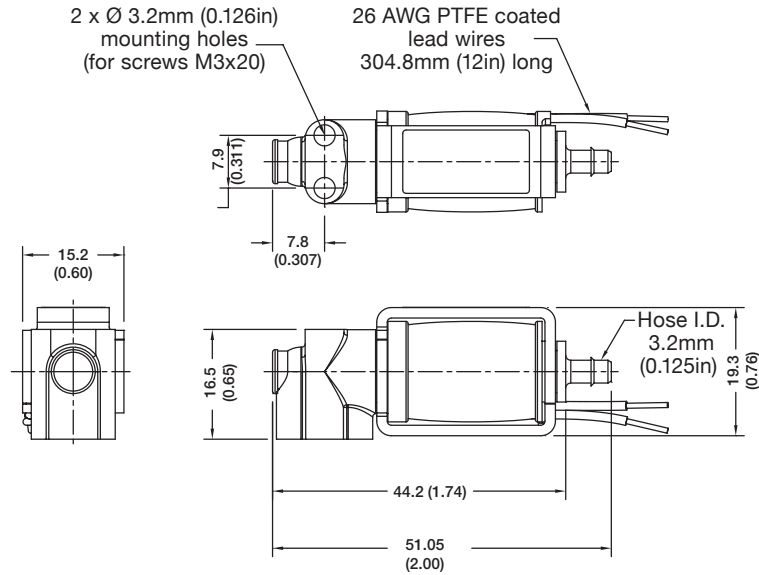
## Installation

- The solenoid valves can be mounted in any position without affecting operation
- Threaded solenoid valves have 2 mounting holes in body

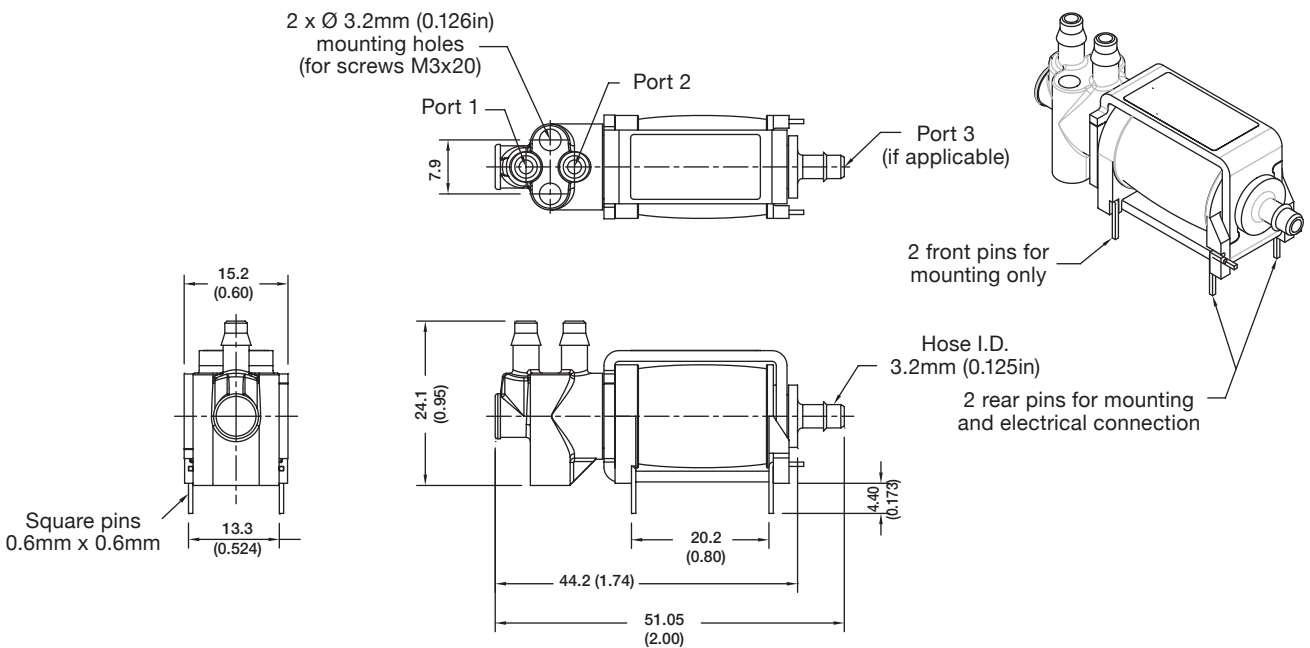
**Dimensions: mm (inches)**

**Dimensional Drawings**

**2- and 3-Way Pad Mount Solenoid Valve**



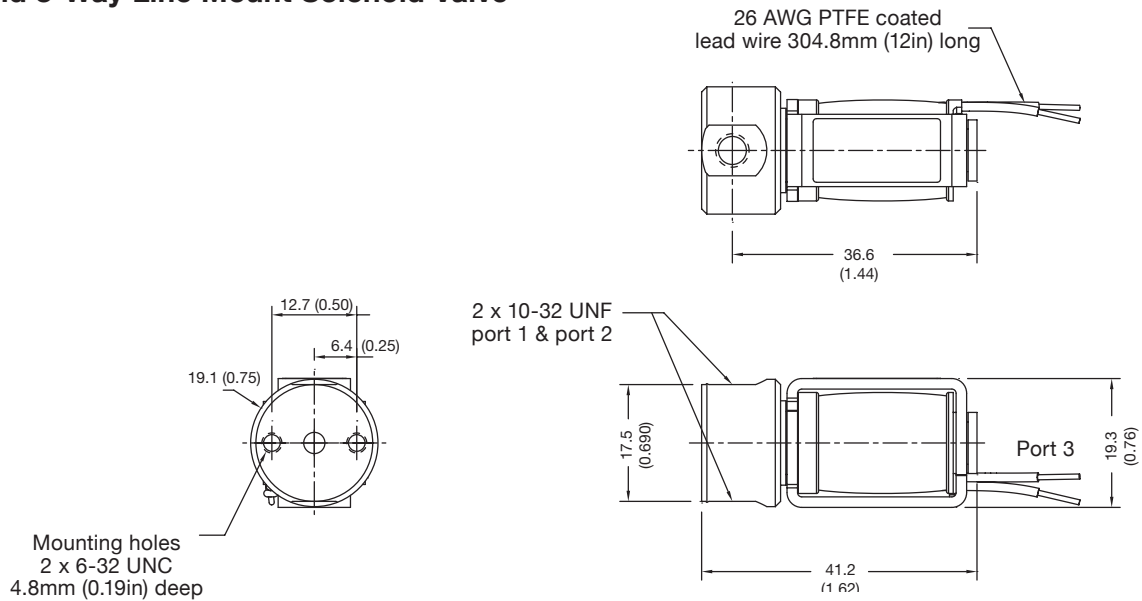
**2- and 3-Way Solenoid Valve with Push-in Hose Connection**



## Dimensions: mm (inches)

### Dimensional Drawings

#### 2- and 3-Way Line Mount Solenoid Valve



#### 2- and 3-Way Manifold Mount Solenoid Valve

