



Hygienic flange connection with welded connection

- Design according to DIN 11864 - 2 or BBS-sterile contour
- All wetted materials can be traced
- Part of the BBS modular system



Product variants described in the data sheet may differ from the product presentation and description.

Can be combined with

	Type BBS-03 Hygienic threaded connection	▶
	Type BBS-05 Hygienic clamp connection with welded connection	▶
	Type BBS-07 Sterile contour block flange	▶
	Type BBS-11 Standard ingold socket	▶

Type description

Hygienic flange connections are gap-free connections that have been specially developed for sterile applications. The O-rings installed in them are chambered and pressed in a defined manner via a metallic stop.

Aseptic connections in accordance to DIN 11864 - 2 are a common type of connection for critical applications that require very good cleanability in the pipework.

The patented BBS sterile contour has been further improved in this respect. This connection is virtually gap-free.

DTS 1000148955 EN Version: P Status: RL (released | freigegeben | valide) printed: 07.07.2025

Table of contents

1. General technical data	3
<hr/>	
2. Approvals and conformities	4
2.1. General notes	4
2.2. Conformity	4
2.3. Standards	4
2.4. Foods and beverages/Hygiene	4
<hr/>	
3. Materials	4
3.1. Bürkert resistApp	4
<hr/>	
4. Dimensions	5
4.1. Aseptic variant according to DIN 11864 - 2	5
Flange connection	5
Flange (female)	6
Flange (male)	7
Flange blind cover (female)	8
Flange blind cover (male)	9
O-ring	10
4.2. BBS sterile contour	11
Flange connection	11
Flange (female)	13
Flange (male)	14
Flange blind cover (female)	15
Flange blind cover (male)	16
O-ring	17
<hr/>	
5. Ordering information	18
5.1. Bürkert eShop	18
5.2. Bürkert product filter	18
5.3. Ordering chart	18

DTS 1000148955 EN Version: P Status: RL (released | freigegeben | valide) printed: 07.07.2025

1. General technical data

Product properties	
Dimensions	Further information can be found in chapter "4. Dimensions" on page 5.
Materials	
Wetted	Stainless steel 1.4435/316L Special materials like e.g. Hastelloy 2.4602, titanium, stainless steel 1.4539/904L etc. on request
Non-wetted	Stainless steel 1.4305/303 or equivalent
Seal	EPDM, FEP
Surface quality	Wetted surface: RA < Ra 0.76 µm (ASME BPE SF3), other surfaces on request
Performance data	
Operating pressure	
Aseptic variant	DIN DN 10...DN 40: 25 bar DIN DN 50...DN 100: 16 bar DIN DN 125...DN 150: 10 bar ISO DN 08...DN 25: 25 bar ISO DN 32...DN 80: 16 bar ISO DN 100: 10 bar ASME DN ½"...DN 1½": 25 bar ASME DN 2"...DN 4": 16 bar
Sterile orbital variant	0.2 bar abs...16 bar
Medium data	
Operating medium	Gases or liquids
Medium temperature	EPDM seal material: - 40 °C...+ 90 °C, short-term up to 140 °C FEP seal material: - 60 °C...+ 160 °C, short-term up to 205 °C
Product connections	
Nominal diameter	
Aseptic variant	DIN DN 10...DN 150 ISO DN 08...DN 100 ASME DN ½"...DN 4"
Sterile orbital variant	DIN DN 10...DN 100 ISO DN 08...DN 125 ASME DN ½"...DN 4" Customised on request
Approvals and conformities	
Certificate	Material certificate 3.1
Foods and beverages/Hygiene	
FDA	Further information can be found in chapter "2.4. Foods and beverages/Hygiene" on page 4.
USP	Further information can be found in chapter "2.4. Foods and beverages/Hygiene" on page 4.
Environment and installation	
Ambient temperature	- 20...+ 80 °C

2. Approvals and conformities

2.1. General notes

- The approvals and conformities listed below must be stated when making enquiries. This is the only way to ensure that the product complies with all required specifications.
- Not all available variants can be supplied with the below mentioned approvals or conformities.

2.2. Conformity

In accordance with the Declaration of Conformity, the product is compliant with the EU Directives.

2.3. Standards

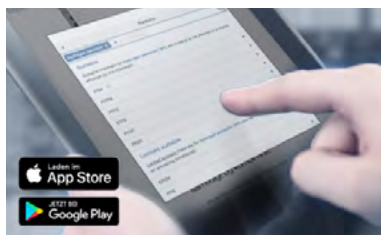
The applied standards which are used to demonstrate compliance with the EU Directives are listed in the EU-Type Examination Certificate and/or the EU Declaration of Conformity.

2.4. Foods and beverages/Hygiene

Conformity	Description
FDA	FDA – Code of Federal Regulations The seals made of EPDM and FEP are compliant with the Code of Federal Regulations published by the FDA (Food and Drug Administration, USA), according to the manufacturer's declaration.
USP	United States Pharmacopeial Convention (USP) The seals made of EPDM and FEP are biocompatible according to the manufacturer's declaration.

3. Materials

3.1. Bürkert resistApp



Bürkert resistApp – Chemical resistance chart

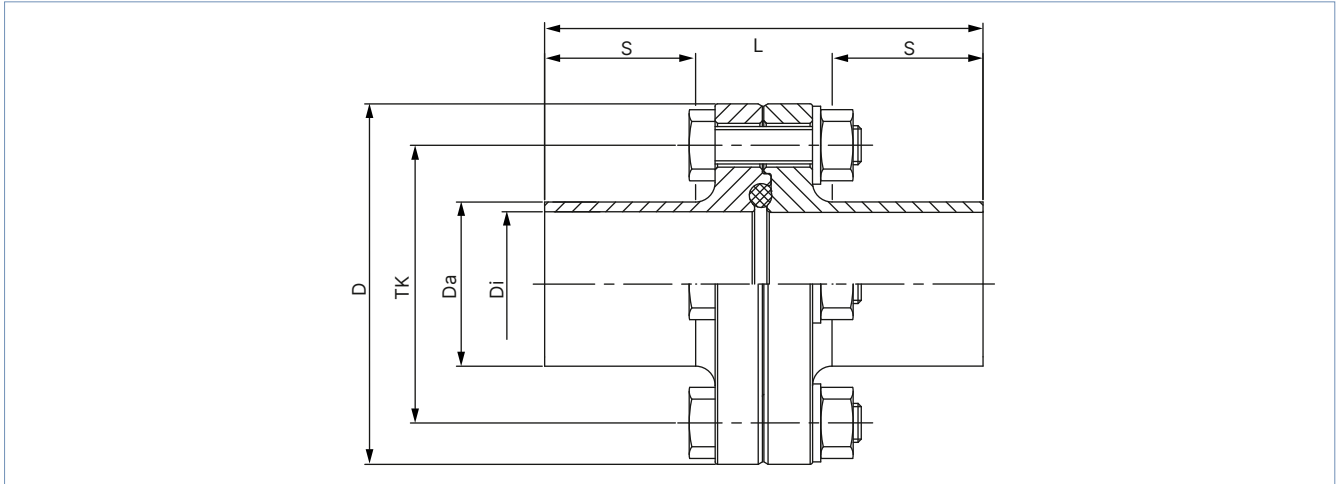
You want to ensure the reliability and durability of the materials in your individual application case? Verify your combination of media and materials on our website or in our resistApp.

[Start chemical resistance check](#)

4. Dimensions

4.1. Aseptic variant according to DIN 11864 - 2

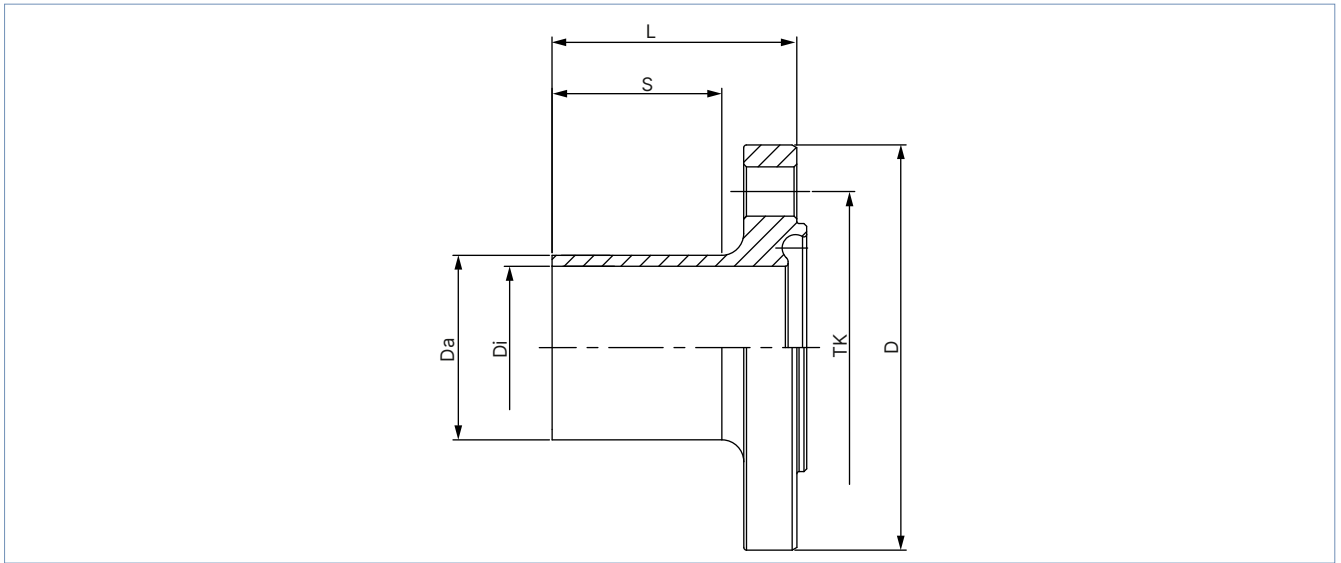
Flange connection



Nominal diameter	D [mm]	TK [mm]	Da [mm]	Di [mm]	L [mm]	S [mm]	Article no. EPDM	Article no. FEP
DIN								
DN 10	54	37	12	10	80	26	on request	on request
DN 10	54	37	13	10	80	26	744750	744752
DN 15	59	42	19	16	80	26	744758	744759
DN 20	64	47	23	20	80	26	744760	744761
DN 25	70	53	29	26	80	26	744762	744763
DN 32	76	59	35	32	90	31	744764	744765
DN 40	82	65	41	38	90	31	732024	744766
DN 50	94	77	53	50	90	31	732030	732032
DN 65	113	95	70	66	108	42	732038	732040
DN 80	133	112	85	81	116	42	744767	744768
DN 100	159	137	104	100	116	42	744754	744755
ISO								
DN 08	54	37	13.5	10.3	80	26	732224	732226
DN 10	59	42	17.2	14	80	26	732232	732234
DN 15	62	45	21.3	18.1	80	26	732260	732262
DN 20	69	52,	26.9	23.7	80	26	732279	732281
DN 25	74	57	33.7	29.7	90	31	732299	732301
DN 32	82	65	42.4	38.4	90	31	732319	732321
DN 40	88	71	48.3	44.3	90	31	732333	732335
DN 50	103	85	60.3	56.3	108	42	732351	732353
DN 65	125	104	76.1	72.1	112	42	732369	732371
DN 80	137	116	88.9	84.3	120	42	732380	732382
DN 100	168	145	114.3	109.7	120	42	732242	732244
ASME								
DN 1/2"	54	37	12.7	9.4	80	26	744789	744790
DN 3/4"	59	42	19.05	15.75	80	26	744791	744792
DN 1"	66	49	25.4	22.1	80	26	732065	732067
DN 1 1/2"	79	62	38.1	34.8	90	31	732079	732081
DN 2"	92	75	50.8	47.5	90	31	732088	732090
DN 2 1/2"	107	89	63.5	60.2	108	42	732098	732100
DN 3"	125	104	76.2	72.9	112	42	732108	732110
DN 4"	157	135	101.6	97.38	116	42	732118	732120

DTS 1000148955 EN Version: P Status: RL (released | freigegeben | valide) printed: 07.07.2025

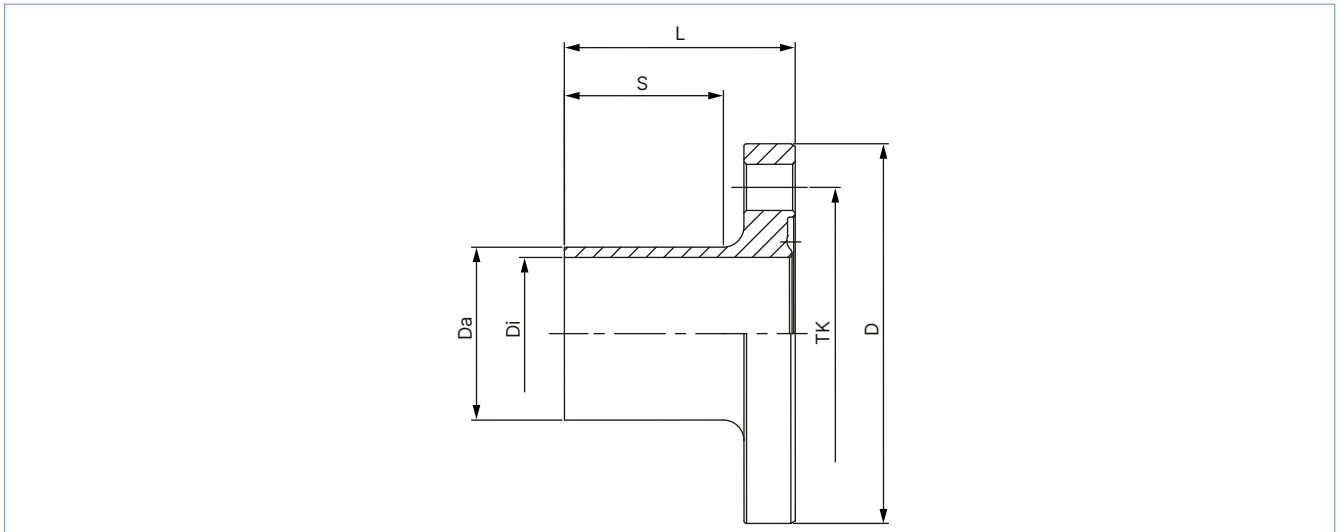
Flange (female)



Nominal diameter	D [mm]	TK [mm]	Da [mm]	Di [mm]	L [mm]	S [mm]	Article no.
DIN							
DN 10	54	37	12	10	39.7	26	731686 ↗
DN 10	54	37	13	10	39.7	26	743687 ↗
DN 15	59	42	19	16	39.7	26	743685 ↗
DN 20	64	47	23	20	39.7	26	744497 ↗
DN 25	70	53	29	26	39.7	26	744499 ↗
DN 32	76	59	35	32	44.7	31	744501 ↗
DN 40	82	65	41	38	44.7	31	731715 ↗
DN 50	94	77	53	50	44.7	31	731718 ↗
DN 65	113	95	70	66	53.7	42	731724 ↗
DN 80	133	112	85	81	57.7	42	731730 ↗
DN 100	159	137	104	100	57.7	42	731691 ↗
ISO							
DN 08	54	37	13.5	10.3	39.7	26	731804 ↗
DN 10	59	42	17.2	14,	39.7	26	731809 ↗
DN 15	62	45	21.3	18.1	39.7	26	731822 ↗
DN 20	69	52	26.9	23.7	39.7	26	731828 ↗
DN 25	74	57	33.7	29.7	44.7	31	731838 ↗
DN 32	82	65	42.4	38.4	44.7	31	731853 ↗
DN 40	88	71	48.3	44.3	44.7	31	731860 ↗
DN 50	103	85	60.3	56.3	53.7	42	731872 ↗
DN 65	125	104	76.1	72.1	55.7	42	731888 ↗
DN 80	137	116	88.9	84.3	57.7	42	731896 ↗
DN 100	168	145	114.3	109.7	57.7	42	731812 ↗
ASME							
DN ½"	54	37	12.7	9.4	39.7	26	744517 ↗
DN ¾"	59	42	19.05	15.75	39.7	26	744519 ↗
DN 1"	66	49	25.4	22.1	39.7	26	731744 ↗
DN 1½"	79	62	38.1	34.8	44.7	31	731753 ↗
DN 2"	92	75	50.8	47.5	44.7	31	731759 ↗
DN 2½"	107	89	63.5	60.2	53.7	42	731765 ↗
DN 3"	125	104	76.2	72.9	55.7	42	731771 ↗
DN 4"	157	135	101.6	97.38	57.7	42	731777 ↗

DTS 1000148955 EN Version: P Status: RL (released | freigegeben | valide) printed: 07.07.2025

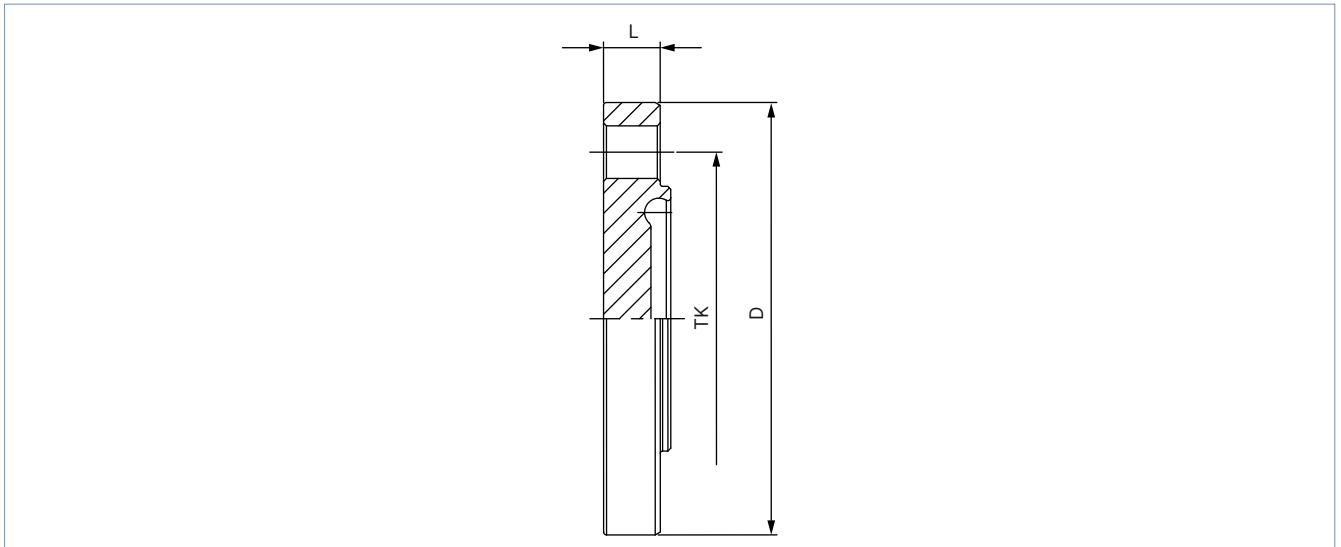
Flange (male)



Nominal diameter	D [mm]	TK [mm]	Da [mm]	Di [mm]	L [mm]	S [mm]	Article no.
DIN							
DN 10	54	37	12	10	40	26	744545
DN 10	54	37	13	10	40	26	743661
DN 15	59	42	19	16	40	26	743662
DN 20	64	47	23	20	40	26	743663
DN 25	70	53	29	26	40	26	743664
DN 32	76	59	35	32	45	31	743665
DN 40	82	65	41	38	45	31	732543
DN 50	94	77	53	50	45	31	732547
DN 65	113	95	70	66	54	42	743666
DN 80	133	112	85	81	58	42	743667
DN 100	159	137	104	100	58	42	732519
ISO							
DN 08	54	37	13.5	10.3	40	26	732632
DN 10	59	42	17.2	14	40	26	732636
DN 15	62	45	21.3	18.1	40	26	732647
DN 20	69	52	26.9	23.7	40	26	732653
DN 25	74	57	33.7	29.7	45	31	732665
DN 32	82	65	42.4	38.4	45	31	732675
DN 40	88	71	48.3	44.3	45	31	732683
DN 50	103	85	60.3	56.3	54	42	732697
DN 65	125	104	76.1	72.1	56	42	732711
DN 80	137	116	88.9	84.3	58	42	732717
DN 100	168	145	114.3	109.7	58	42	732640
ASME							
DN 1/2"	54	37	12.7	9.4	40	26	744553
DN 3/4"	59	42	19.05	15.75	40	26	744554
DN 1"	66	49	25.4	22.1	44	25	732566
DN 1 1/2"	79	62	38.1	34.8	45	30	732576
DN 2"	92	75	50.8	47.5	45	31	732582
DN 2 1/2"	107	89	63.5	60.2	54	42	732588
DN 3"	125	104	76.2	72.9	56	42	732594
DN 4"	157	135	101.6	97.38	58	42	732600

DTS 1000148955 EN Version: P Status: RL (released | freigegeben | valide) printed: 07.07.2025

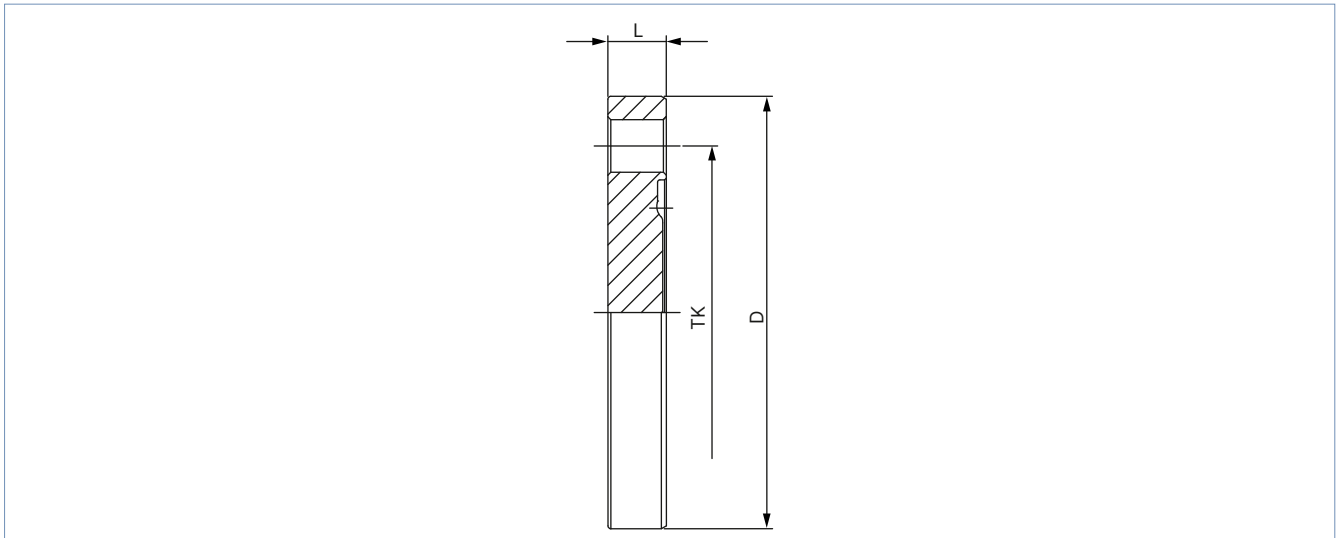
Flange blind cover (female)



Nominal diameter	D	Da	L	Article no.
	[mm]	[mm]	[mm]	
DIN				
DN 10	54	37	9.7	744646
DN 15	59	42	9.7	744649
DN 20	64	47	9.7	744650
DN 25	70	53	9.7	744651
DN 32	76	59	9.7	744652
DN 40	82	65	9.7	743498
DN 50	94	77	9.7	733481
DN 65	113	95	9.7	744653
DN 80	133	112	11.7	744334
DN 100	159	137	11.7	744647
DN 125	183	161	13.7	744648
DN 150	213	188	15.7	744611
ISO				
DN 08	54	37	9.7	744662
DN 10	59	42	9.7	744663
DN 15	62	45	9.7	744007
DN 20	69	52	9.7	744008
DN 25	74	57	9.7	733539
DN 32	82	65	9.7	733547
DN 40	88	71	9.7	733553
DN 50	103	85	9.7	733559
DN 65	125	104	11.7	733574
DN 80	137	116	13.7	733580
DN 100	168	145	13.7	733521
ASME				
DN 1/2"	54	37	9.7	744654
DN 3/4"	59	42	9.7	744655
DN 1"	66	49	9.7	744656
DN 1 1/2"	79	62	9.7	744657
DN 2"	92	75	9.7	744658
DN 2 1/2"	107	89	9.7	744659
DN 3"	125	104	11.7	744660
DN 4"	157	135	13.7	744661

DTS 1000148955 EN Version: P Status: RL (released | freigegeben | valide) printed: 07.07.2025

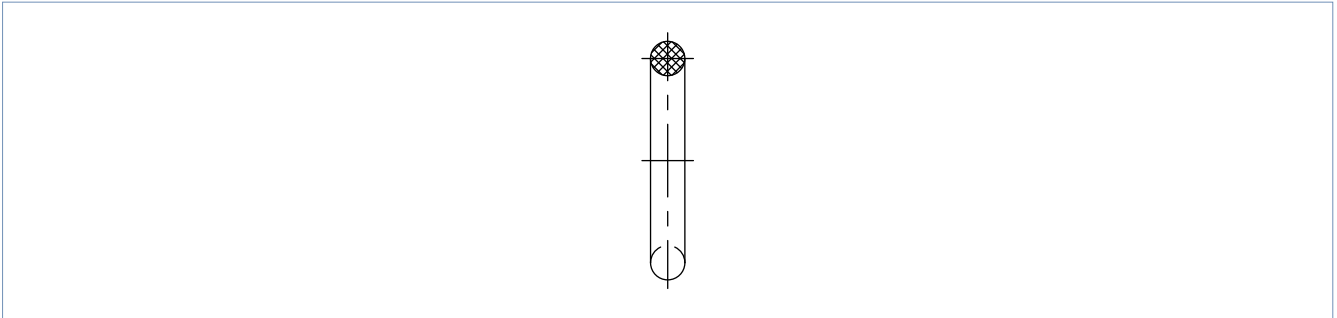
Flange blind cover (male)



Nominal diameter	D	TK	L	Article no.
	[mm]	[mm]	[mm]	
DIN				
DN 10	54	37	10	744567
DN 15	59	42	10	744570
DN 20	64	47	10	744571
DN 25	70	53	10	732954
DN 32	76	59	10	744572
DN 40	82	65	10	732962
DN 50	94	77	10	732968
DN 65	113	95	10	744573
DN 80	133	112	10	744574
DN 100	159	137	12	744568
DN 125	183	161	14	744569
DN 150	213	188	16	732946
ISO				
DN 08	37	37	10	733014
DN 10	42	42	10	733018
DN 15	45	45	10	733032
DN 20	52	52	10	733040
DN 25	57	57	10	733048
DN 32	65	65	10	733060
DN 40	71	71	10	733067
DN 50	85	85	10	733075
DN 65	104	104	10	733083
DN 80	116	116	12	733089
DN 80	145	145	12	733022
ASME				
DN 1/2"	54	37	10	744575
DN 3/4"	59	42	10	744576
DN 1"	66	49	10	744577
DN 1 1/2"	79	62	10	744578
DN 2"	92	75	10	744579
DN 2 1/2"	107	89	10	744580
DN 3"	125	104	12	744581
DN 4"	157	135	14	744582

DTS 1000148955 EN Version: P Status: RL (released | freigegeben | valide) printed: 07.07.2025

O-ring

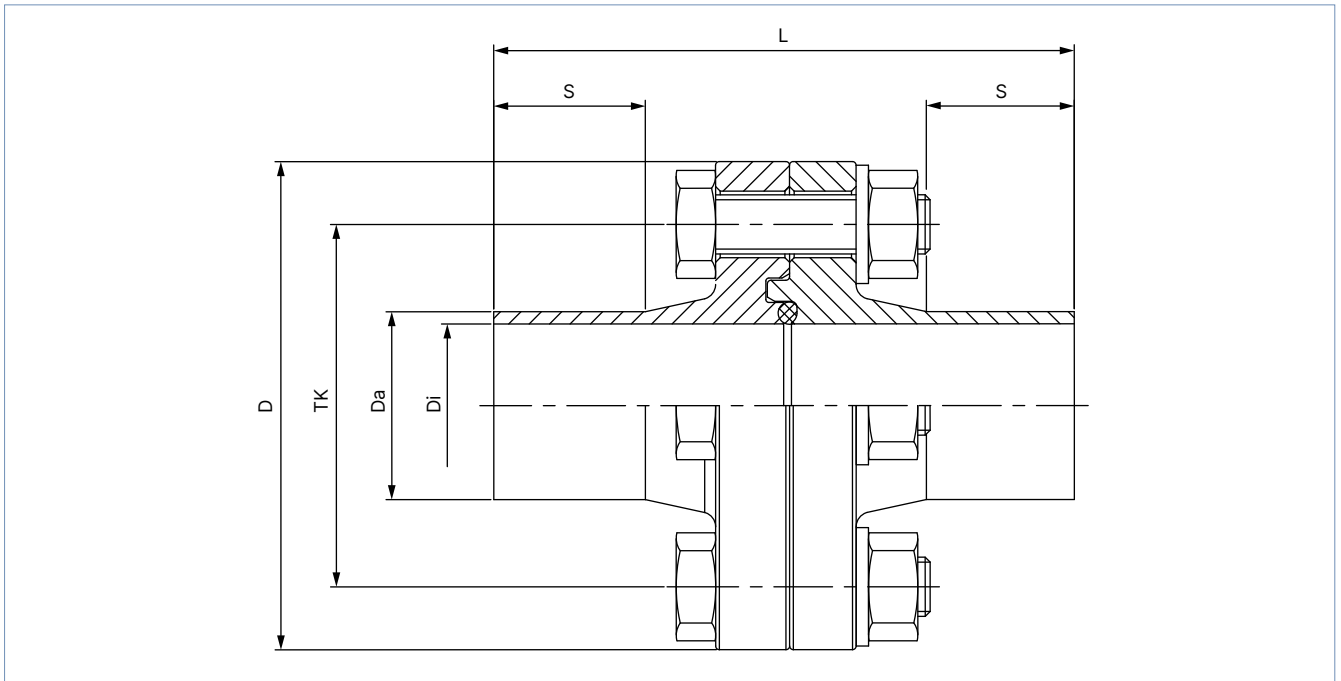


Nominal diameter	Article no. EPDM	Article no. FEP
DIN		
DN 10	730383	730385
DN 15	730435	730437
DN 20	730480	730483
DN 25	730515	730517
DN 32	730569	730566
DN 40	730593	730591
DN 50	730624	730626
DN 65	730655	730657
DN 80	730692	730694
DN 100	730406	730408
ISO		
DN 08	730993	730995
DN 10	731021	731023
DN 15	731077	731079
DN 20	731118	731120
DN 25	731157	731159
DN 32	731202	731204
DN 40	731232	731234
DN 50	731271	731273
DN 65	731299	731302
DN 80	731324	731326
DN 100	731041	731043
ASME		
DN 1/2"	730788	730790
DN 3/4"	730803	730805
DN 1"	730825	730827
DN 1 1/2"	730855	730857
DN 2"	730878	730880
DN 2 1/2"	730903	730905
DN 3"	730924	730926
DN 4"	730946	730948

DTS 1000148955 EN Version: P Status: RL (released | freigegeben | valide) printed: 07.07.2025

4.2. BBS sterile contour

Flange connection



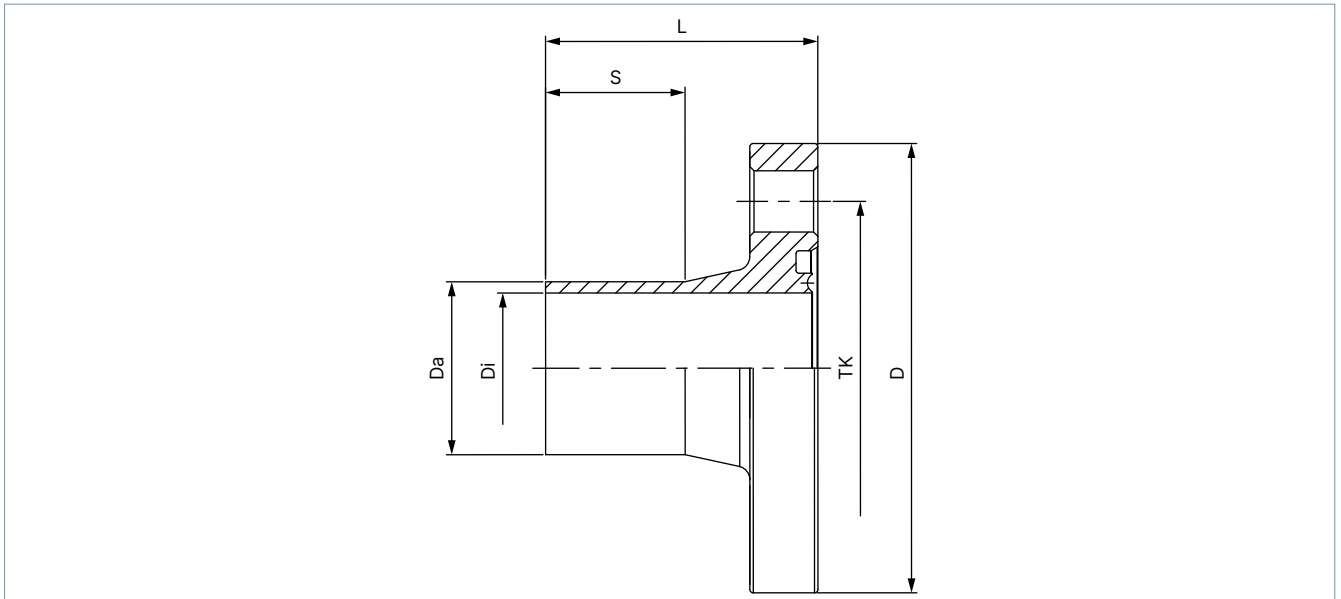
Nominal diameter	D [mm]	TK [mm]	Da [mm]	Di [mm]	L [mm]	S [mm]	Article no. EPDM	Article no. FEP
DIN								
DN 10	54	37	12	10	78.5	20	732394 ☒	o. r.
DN 10	54	37	13	10	78.5	20	o. r.	o. r.
DN 15	59	45	19	16	78.5	20	732398 ☒	o. r.
DN 20	59	45	23	20	78.5	20	732400 ☒	o. r.
DN 25	70	53	29	26	78.5	20	732402 ☒	o. r.
DN 32	82	65	35	32	88	25	732404 ☒	o. r.
DN 40	82	65	41	38	88	25	732406 ☒	o. r.
DN 50	94	77	53	50	88	25	732408 ☒	o. r.
DN 65	113	95	70	66	88.5	25	732410 ☒	o. r.
DN 80	133	112	85	81	112	30	732412 ☒	732414 ☒
DN 100	159	137	104	100	114.5	35	732396 ☒	o. r.
ISO								
DN 08	54	37	13.5	10.3	78	20	732450 ☒	732452 ☒
DN 10	59	42	17.2	14	78	20	732454 ☒	732455 ☒
DN 15	62	45	21.3	18.1	78	20	732463 ☒	732465 ☒
DN 20	69	52	26.9	23.7	78	20	732467 ☒	732469 ☒
DN 25	74	57	33.7	29.7	88	25	732473 ☒	732475 ☒
DN 32	82	65	42.4	38.4	88	25	732481 ☒	732483 ☒
DN 40	88	71	48.3	44.3	88	25	732491 ☒	732493 ☒
DN 50	103	85	60.3	56.3	88	25	732499 ☒	732501 ☒
DN 65	125	104	76.1	72.1	95	26	732503 ☒	732505 ☒
DN 80	137	116	88.9	84.3	112	30	732509 ☒	732511 ☒
DN 100	168	146	114.3	109.7	115	30	732457 ☒	732459 ☒
DN 125	194	172	139.7	134.5	115	30	732462 ☒	o. r.

DTS 1000148955 EN Version: P Status: RL (released | freigegeben | valide) printed: 07.07.2025

Nominal diameter	D	TK	Da	Di	L	S	Article no. EPDM	Article no. FEP
	[mm]	[mm]	[mm]	[mm]	[mm]	[mm]		
ASME								
DN ½"	54	37	12.7	9.4	78	20	732416 𐀀	732418 𐀀
DN ¾"	59	42	19.05	15.75	78	20	732420 𐀀	732422 𐀀
DN 1"	66	49	25.4	22.1	78.5	20	732424 𐀀	732426 𐀀
DN 1½"	79	62	38.1	34.8	88	25	732428 𐀀	732430 𐀀
DN 2"	92	75	50.8	47.5	88	25	732432 𐀀	732434 𐀀
DN 2½"	107	89	63.5	60.2	88	25	732436 𐀀	732438 𐀀
DN 3"	125	104	76.20	72.9	95	26	732440 𐀀	732442 𐀀
DN 4"	157	135	101.60	97.38	146	35	732444 𐀀	732446 𐀀

o. r. = on request

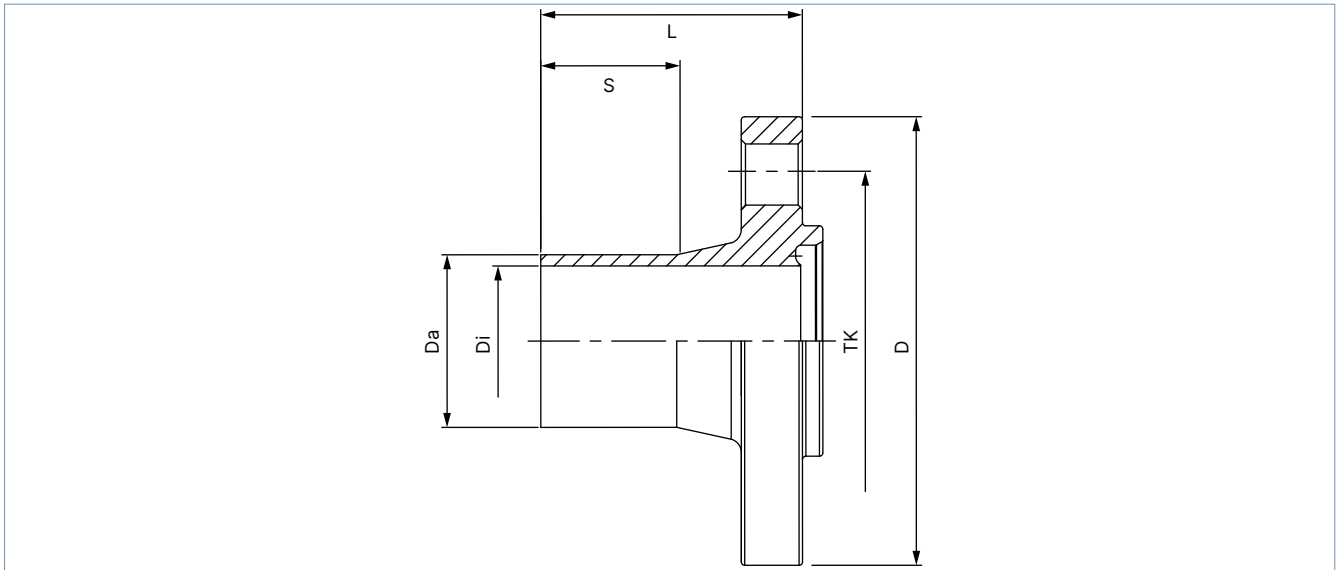
Flange (female)



Nominal diameter	D [mm]	Da [mm]	Di [mm]	L [mm]	S [mm]	TK [mm]	Article no.
DIN							
DN 10	54	12	10	40	20	37	732726
DN 10	54	13	10	40	20	37	on request
DN 15	59	19	16	40	20	45	732730
DN 20	59	23	20	40	20	45	732732
DN 25	70	29	26	40	20	53	732734
DN 32	82	35	32	44	25	65	732736
DN 40	82	41	32	44	25	65	732738
DN 50	94	53	50	44	25	77	732740
DN 65	113	70	66	45	25	95	732742
DN 80	133	85	81	56	30	112	732744
DN 100	159	104	100	58	30	137	732728
ISO							
DN 08	54	13.5	10.3	40	20	37	732746
DN 10	59	17.2	14	39.5	20	42	732748
DN 15	62	21.3	18.1	39.5	20	45	732756
DN 20	69	26.9	23.7	39.5	20	52	732760
DN 25	74	33.7	29.7	44.5	25	57	732762
DN 32	82	42.4	38.4	44.5	25	65	732766
DN 40	88	48.3	44.3	44.5	25	71	732772
DN 50	103	60.3	56.3	44.5	25	85	732776
DN 65	125	76.1	72.1	48	26	104	732780
DN 80	137	88.9	84.3	56	30	116	732782
DN 100	168	114.3	109.7	58	30	146	732752
DN 125	194	139.7	134.5	60	30	172	732754
ASME							
DN 1/2"	54	12.7	9.4	40	20	37	732560
DN 3/4"	59	19.05	15.75	39.5	20	42	732564
DN 1"	66	25.4	22.1	40	20	49	732574
DN 1 1/2"	79	38.1	34.8	44.5	25	62	732580
DN 2"	92	50.8	47.5	44.5	25	75	732586
DN 2 1/2"	107	63.5	60.2	44.5	25	89	732592
DN 3"	125	76.2	72.9	48	25	104	732598
DN 4"	157	101.6	97.38	74	35	135	732606

DTS 1000148955 EN Version: P Status: RL (released | freigegeben | valide) printed: 07.07.2025

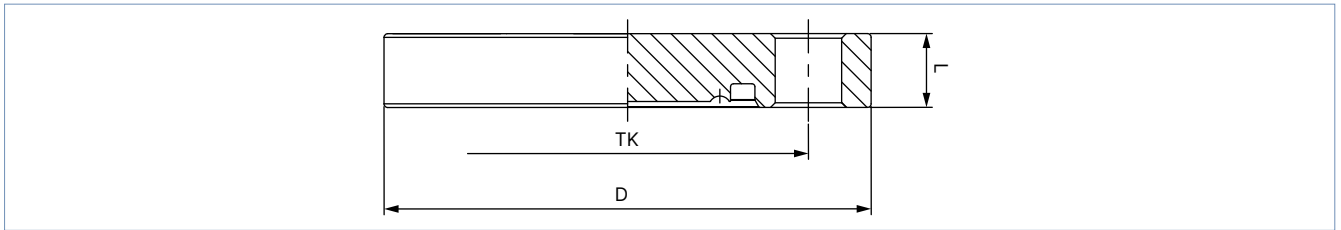
Flange (male)



Nominal diameter	D [mm]	Da [mm]	Di [mm]	L [mm]	S [mm]	TK [mm]	Article no.
DIN							
DN 10	54	12	10	40	20	37	732726
DN 10	54	13	10	40	20	37	on request
DN 15	59	19	16	40	20	45	732730
DN 20	59	23	20	40	20	45	732732
DN 25	70	29	26	40	20	53	732734
DN 32	82	35	32	44.5	25	65	732736
DN 40	82	41	32	44.5	25	65	732738
DN 50	94	53	50	44.5	25	77	732740
DN 65	113	70	66	45	25	95	732742
DN 80	133	85	81	56	30	112	732744
DN 100	159	104	100	58	30	137	732728
ISO							
DN 08	54	13.5	10.3	38.5	20	37	731927
DN 10	59	17.2	14	38.5	20	42	731929
DN 15	62	21.3	18.1	38.5	20	45	731937
DN 20	69	26.9	23.7	38.5	20	52	731941
DN 25	74	33.7	29.7	43.5	25	57	731943
DN 32	82	42.4	38.4	43.5	25	65	731946
DN 40	88	48.3	44.3	43.5	25	71	731954
DN 50	103	60.3	56.3	43.5	25	85	731958
DN 65	125	76.1	72.1	47	26	104	731964
DN 80	137	88.9	84.3	56	30	116	731966
DN 100	168	114.3	109.7	57	30	146	on request
DN 125	194	139.7	134.5	55	30	172	731935
ASME							
DN 1/2"	54	12.7	9.4	40	20	37	732560
DN 3/4"	59	19.05	15.75	39.5	20	42	732564
DN 1"	66	25.4	22.1	40	20	49	732574
DN 1 1/2"	79	38.1	34.8	44.5	25	62	732580
DN 2"	92	50.8	47.5	44.5	25	75	732586
DN 2 1/2"	107	63.5	60.2	44.5	25	89	732592
DN 3"	125	76.2	72.9	48	25	104	732598
DN 4"	157	101.6	97.38	74	35	135	732606

DTS 1000148955 EN Version: P Status: RL (released | freigegeben | valide) printed: 07.07.2025

Flange blind cover (female)

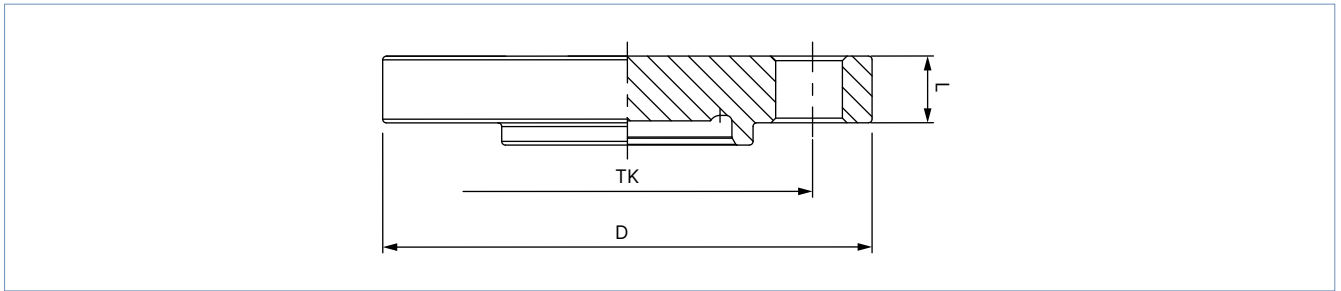


Nominal diameter	D	L	TK	Article no.
	[mm]	[mm]	[mm]	
DIN				
DN 10	54	10	37	o. r.
DN 15	59	10	45	743677
DN 20	59	10	45	o. r.
DN 25	70	10	53	o. r.
DN 32	82	10	65	o. r.
DN 40	82	10	65	o. r.
DN 50	94	10	77	733123
DN 65	113	10	95	o. r.
DN 80	133	12	112	o. r.
DN 100	159	12	137	733121
ISO				
DN 08	54	10	37	733127
DN 10	59	10	42	733129
DN 15	62	10	45	733133
DN 20	69	12	52	733135
DN 25	74	12	57	733137
DN 32	82	12	65	733141
DN 40	88	12	71	733145
DN 50	103	12	85	733149
DN 65	125	15	104	733151
DN 80	137	16	116	733153
DN 100	168	17	146	733131
DN 125	194	17	172	o. r.
ASME				
DN 1/2"	54	10	37	732978
DN 3/4"	59	10	42	732982
DN 1"	66	10	49	732986
DN 1 1/2"	79	10	62	732990
DN 2"	92	10	75	732994
DN 2 1/2"	107	10	89	732998
DN 3"	125	12	104	733002
DN 4"	157	12	135	733006

o. r. = on request

DTS 1000148955 EN Version: P Status: RL (released | freigegeben | valide) printed: 07.07.2025

Flange blind cover (male)

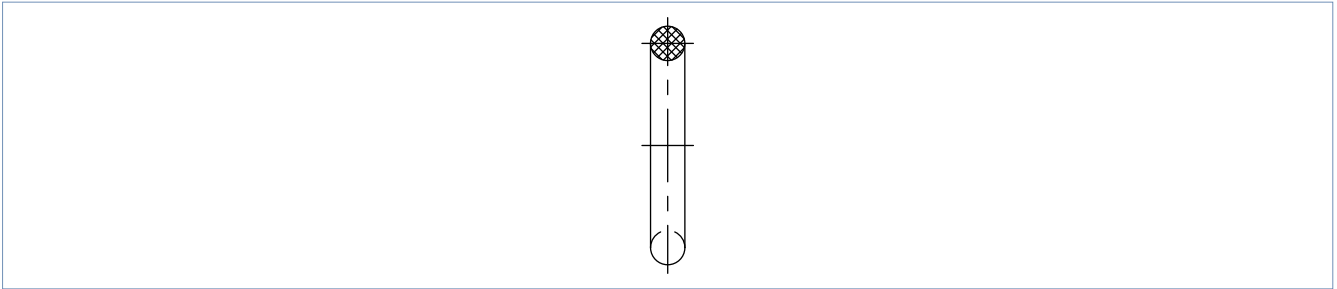


Nominal diameter	D [mm]	L [mm]	TK [mm]	Article no.
DIN				
DN 10	54	10	37	o. r.
DN 15	59	10	45	743677
DN 20	59	10	45	o. r.
DN 25	70	10	53	o. r.
DN 32	82	10	65	o. r.
DN 40	82	10	65	o. r.
DN 50	94	10	77	733123
DN 65	113	10	95	o. r.
DN 80	133	12	112	o. r.
DN 100	159	12	137	746035
ISO				
DN 08	54	8.5	37	733587
DN 10	59	9	42	733591
DN 15	62	9	45	733597
DN 20	69	9	52	733600
DN 25	74	9	57	733603
DN 32	82	9	65	733606
DN 40	88	9	71	733612
DN 50	103	9	85	733615
DN 65	125	11	104	733619
DN 80	137	12	116	733623
DN 100	168	13	146	733594
DN 125	194	15	172	o. r.
ASME				
DN 1/2"	54	8.5	37	743868
DN 3/4"	59	9	42	743869
DN 1"	66	9	49	743870
DN 1 1/2"	79	9	62	743871
DN 2"	92	9	75	743872
DN 2 1/2"	107	9	89	743873
DN 3"	125	11	104	743874
DN 4"	157	12	135	743875

o. r. = on request

DTS 1000148955 EN Version: P Status: RL (released | freigegeben | valide) printed: 07.07.2025

O-ring



Nominal diameter	Article no. EPDM	Article no. FEP
DIN		
DN 10	730369	730371
DN 15	730412	730414
DN 20	730460	730462
DN 25	730497	730499
DN 32	730546	730548
DN 40	730573	730575
DN 50	730606	730608
DN 65	730647	730649
DN 80	730678	730680
DN 100	730389	730391
ISO		
DN 08	730983	on request
DN 10	731004	731006
DN 15	731058	731060
DN 20	731101	731103
DN 25	731141	731143
DN 32	731187	731189
DN 40	731216	731218
DN 50	731267	731269
DN 65	731287	731289
DN 80	731310	731312
DN 100	731031	731033
DN 125	731048	731050
ASME		
DN 1/2"	730766	730768
DN 3/4"	730792	730794
DN 1"	730811	730813
DN 1 1/2"	730837	730839
DN 2"	730867	730870
DN 2 1/2"	730890	730892
DN 3"	730913	730915
DN 4"	730938	730940

DTS 1000148955 EN Version: P Status: RL (released | freigegeben | valide) printed: 07.07.2025

5. Ordering information

5.1. Bürkert eShop



Bürkert eShop – Easy ordering and quick delivery

You want to find your desired Bürkert product or spare part quickly and order directly? Our online shop is available for you 24/7. Sign up and enjoy all the benefits.

[Order online now](#)

5.2. Bürkert product filter



Bürkert product filter – Get quickly to the right product

You want to select products comfortably based on your technical requirements? Use the Bürkert product filter and find suitable articles for your application quickly and easily.

[Try out our product filter](#)

5.3. Ordering chart

Note:

Further information can be found in chapter [“4. Dimensions” on page 5](#).