

RM-Series Volume Boosters

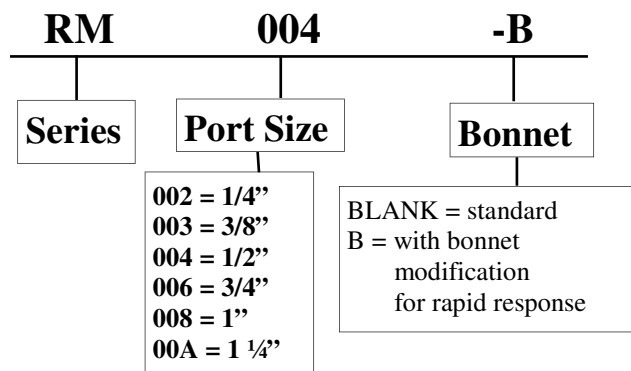


- ◆ Diaphragm type pilot operated regulator
- ◆ High relief flow
- ◆ Flows up to 550 SCFM
- ◆ Outlet pressure up to 300 psig
- ◆ Vacuum service
- ◆ Rapid response option available

DESCRIPTION

RM-series volume boosters are diaphragm operated, air piloted, self-venting regulators. They are designed for general applications that require superior pressure regulation, rapid response to changing flow demands, and excellent stability. Using QB, BB, or MM series pressure controllers in conjunction with the RM-series volume booster gives a precision pressure control package with high forward and reverse flow capacity. If faster response is required, the RM-series can be modified with a special reduced volume bonnet for rapid response. The RM-series volume boosters can also be used in vacuum regulating applications where high flow and precise vacuum pressure control is required.

ORDERING INFORMATION



SPECIFICATIONS

TYPE.....Pilot Operated
Relieving Diaphragm

MAX. INLET PRESSURE
RM002-RM00A.....400psig (27.6 bar)

OUTLET PRESSURE
RM002-RM004 0-300psig (20.68 bar)
RM006-RM00A..... 0-250psig (17.24 bar)

OPERATING TEMP..... 32 to 158 degree F
(0 to 70 degree C)

RECOMMENDED FILTRATION 40 micron nominal

FLOW CAPACITY.....See graphs

RELIEF FLOW CAPACITY..... 200 SCFM (5663 SLPM)

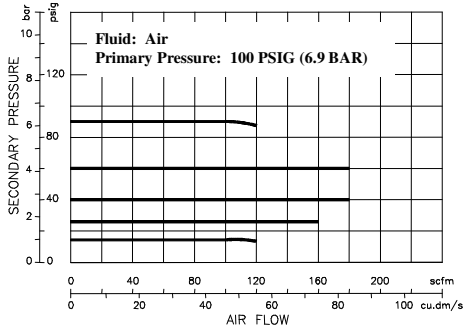
MATERIALS
RM002-RM00A:
Body: Zinc (ZAMAK 8 casting alloy)
Bonnet: Zinc (Aluminum with rapid response option)
Bottom Plug: Acetal
Main Valve: Brass
Elastomers: Nitrile

MOUNTING BRACKET:

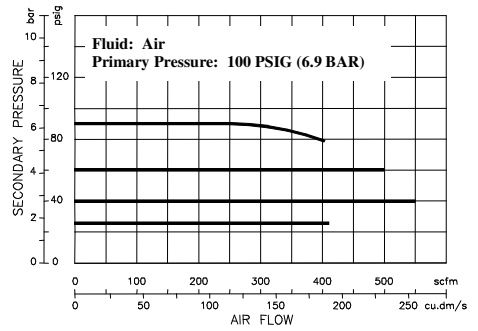
BKT-05: R0002, R0003, R0004
BKT-06: R0006, R0008, R000A

FLOW CHARACTERISTICS

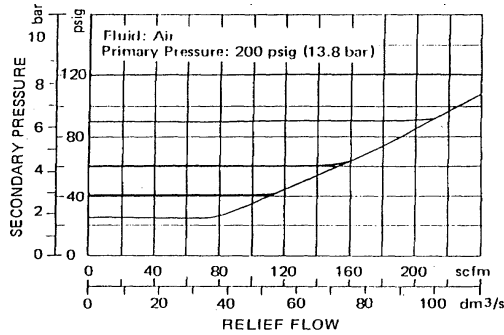
FORWARD FLOW (RM002-RM004)



FORWARD FLOW (RM006-RM00A)

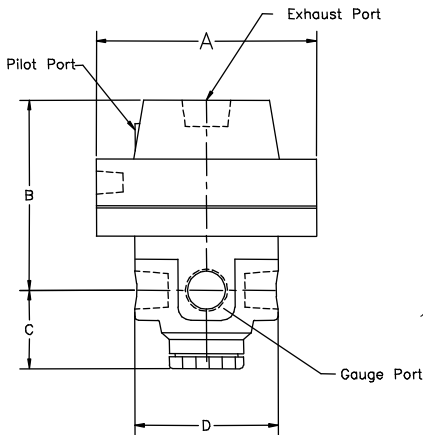


RELIEF FLOW (RM002 - RM00A)

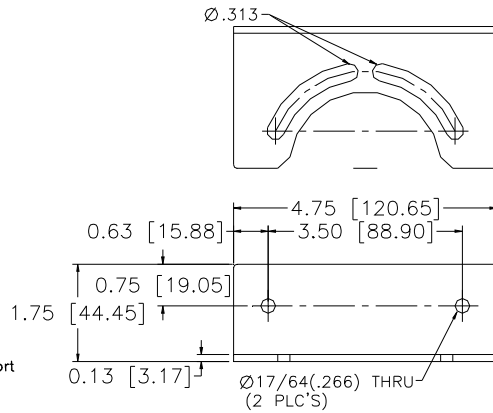


DIMENSIONS in inches (mm)

RM002-RM00A



MOUNTING BRACKET



Pipe Size*	A	B	C	D
1/4, 3/8, 1/2	4.16 (106)	3.59(91)	1.48(38)	2.71(69)
3/4, 1, 1 1/4	4.16 (106)	4.11(91)	1.86(38)	3.65(93)

* Pilot Port is 1/4" PTF & Exhaust Port is 3/4" PTF for all models (1/4" to 1 1/4")

If the main ports are:	Then the gauge ports will be:
1/4 PTF 3/8 PTF 1/2, 3/4, 1, 1 1/4 PTF	1/4 PTF 3/8 PTF 1/2 PTF

PROPORTION-AIR, INC.

BOX 218 MCCORDSVILLE, IN USA 46055

PHONE: (317)335-2602

FAX: (317)335-3853

web site: www.proportionair.com

email address: info@proportionair.com

BRRM-Series
01/05/11 JS