







### Accessory for pneumatic rotary actuators

- ATEX variants available
- Perfectly suited for pneumatic rotary actuators Type 2051 and 2052

Product variants described in the data sheet may differ from the product presentation and description.

#### Can be combined with

	<b>Type TEU002</b> Accessory for pneumatic rotary actuators	▶
	<b>Type TEU004</b> Accessory for pneumatic rotary actuators	▶
	<b>Type TEU003</b> Accessory for pneumatic rotary actuators	▶
	<b>Type 8805</b> Ball valve / Butterfly valve with pneumatic rotary actuator	▶
	<b>Type TEU007</b> Limit value switch	▶
	<b>Type TEU005</b> Cylinder switch	▶

#### Type description

TEU consists of a position indicator and final position feedback. It can be combined with the pneumatic rotary actuators Type 2051 and 2052. TEU001 - electromechanical final position feedback with optical indicator  
 TEU002 - electromechanical position feedback, explosion-proof  
 TEU003 - non-contact position feedback with optical position indicator  
 TEU004 - non-contact position feedback, EExi, explosion-proof, with optical position indicator.

## Table of contents

<b>1. Type TEU001 - Electromechanical end position feedback indicator with optical position indicator</b>	<b>3</b>
1.1. General technical data .....	3
1.2. Dimensions .....	3
1.3. Device/Process connections .....	3
Terminal diagram for micro switch .....	3
1.4. Ordering information .....	3
<b>2. Type TEU002 - Electromechanical position feedback indicator, explosion-proof</b>	<b>4</b>
2.1. General technical data .....	4
2.2. Dimensions .....	4
2.3. Device/Process connections .....	4
Terminal diagram .....	4
2.4. Ordering information .....	4
<b>3. Type TEU003 - Non-contact end position feedback indicator with optical position indicator</b>	<b>5</b>
3.1. General technical data .....	5
3.2. Dimensions .....	5
3.3. Device/Process connections .....	5
Terminal diagram 3-wires, PNP .....	5
3.4. Ordering information .....	5
<b>4. Type TEU004 - Non-contact position feedback, EExi, explosion-proof, with optical position indicator</b>	<b>6</b>
4.1. General technical data .....	6
4.2. Dimensions .....	6
4.3. Device/Process connections .....	6
Terminal diagram 2-wires, NAMUR .....	6
4.4. Ordering information .....	6
<b>5. Materials</b>	<b>7</b>
5.1. Bürkert resistApp .....	7
<b>6. Ordering information</b>	<b>7</b>
6.1. Bürkert eShop .....	7
6.2. Bürkert product filter .....	7

DTS 1000173856 EN Version: H Status: RL (released | freigegeben | valide) printed: 27.08.2025

# 1. Type TEU001 - Electromechanical end position feedback indicator with optical position indicator

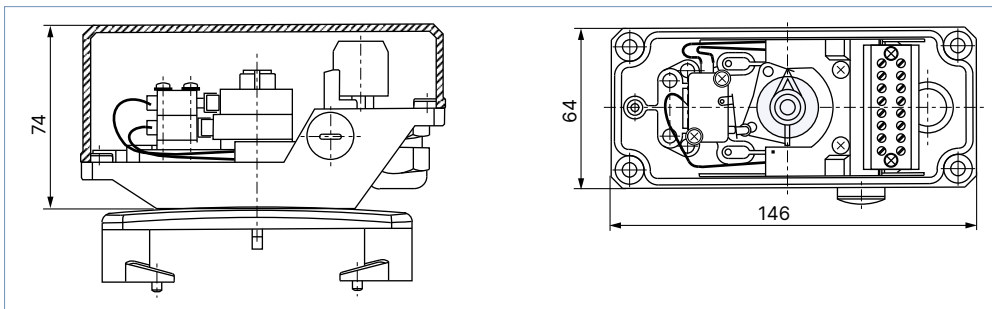
## 1.1. General technical data

Product properties	
Dimensions	Further information can be found in "1.2. Dimensions" on page 3.
Material	
Cover	Macrolon
Console	Stainless steel according to NAMUR
Base	Vestamid
Limit switches	Changer (micro switch)
Operating temperature	- 20...+ 100 °C
Electrical data	
Operating voltage	0.1...250 V AC
Current	6 A
Process/Port connection & communication	
Electrical connection	Via terminal strip M12 × 1.5

## 1.2. Dimensions

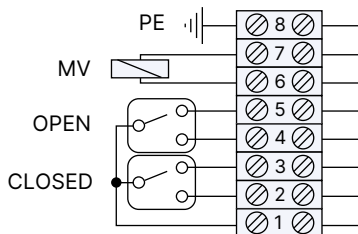
**Note:**

Dimensions in mm



## 1.3. Device/Process connections

**Terminal diagram for micro switch**



## 1.4. Ordering information

Hole gauge [mm]	Stem height of actuator [mm]	Article no.
80 × 30	20	788872
80 × 30	30	788911
130 × 30	30	788912
130 × 30	50	788913

## 2. Type TEU002 - Electromechanical position feedback indicator, explosion-proof

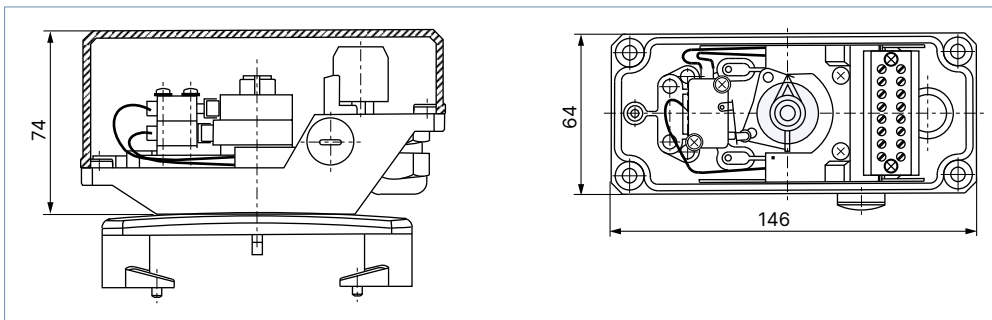
### 2.1. General technical data

Product properties	
Dimensions	Further information can be found in chapter "2.2. Dimensions" on page 4.
Material	
Cover	Vestamid
Base	Vestamid
Limit switches	Micro switch (Crouzet, Type 83 139 1)
Type of ignition protection	Ex ed IIC T6
Electrical data	
Operating voltage	0.1...250 V AC
Current	4 A
Medium data	
Medium temperature	- 20...+ 60 °C
Process/Port connection & communication	
Electrical connection	Via terminal strip M20 × 1.5

### 2.2. Dimensions

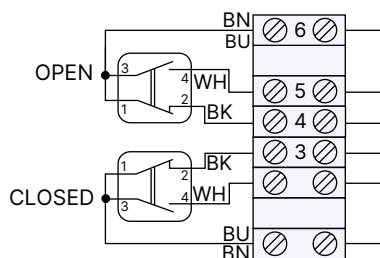
**Note:**

Dimensions in mm



### 2.3. Device/Process connections

**Terminal diagram**



### 2.4. Ordering information

Hole gauge [mm]	Stem height of actuator [mm]	Article no.
80 × 30	20	788958 10
80 × 30	30	788959 10
130 × 30	30	788960 10
130 × 30	50	788961 10

DTS 1000173856 EN Version: H Status: RL (released | freigegeben | valide) printed: 27.08.2025

### 3. Type TEU003 - Non-contact end position feedback indicator with optical position indicator

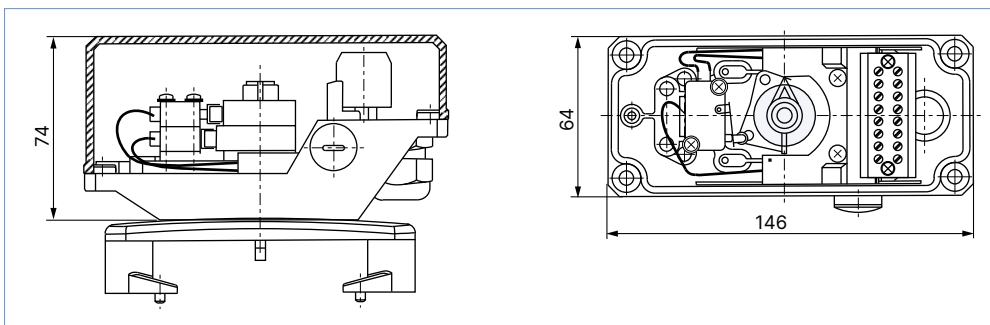
#### 3.1. General technical data

Product properties	
Dimensions	Further information can be found in chapter "3.2. Dimensions" on page 5.
Material	
Cover	Macrolon
Base	Vestamid
Limit switches	Double initiator (Pepperl+Fuchs NBN3-F25-E8)
Display status	LED, yellow
Electrical data	
Operating voltage	10...30 V DC
Medium data	
Medium temperature	- 25...+ 70 °C
Process/Port connection & communication	
Electrical connection	Via terminal strip PG 13.5 mm

#### 3.2. Dimensions

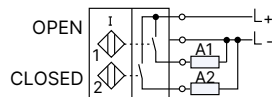
**Note:**

Dimensions in mm



#### 3.3. Device/Process connections

**Terminal diagram 3-wires, PNP**



#### 3.4. Ordering information

Hole gauge [mm]	Stem height of actuator [mm]	Article no.
80 × 30	20	788914
80 × 30	30	788915
130 × 30	30	788916
130 × 30	50	788962

DTS 1000173856 EN Version: H Status: RL (released | freigegeben | valide) printed: 27.08.2025

## 4. Type TEU004 - Non-contact position feedback, EExi, explosion-proof, with optical position indicator

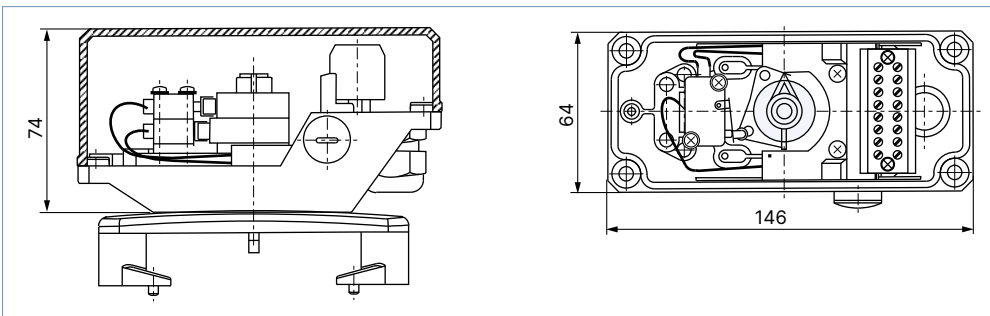
### 4.1. General technical data

Product properties	
Dimensions	Further information can be found in "4.2. Dimensions" on page 6.
Material	
Cover	Macrolon
Base	Vestamid
Limit switches	2-wire circuit breaker (DIN 10234), double initiator (Pepperl+Fuchs NCN3-F25F-N4), NAMUR
Type of ignition protection	Exi
Electrical data	
Operating voltage	8 V DC
Medium data	
Medium temperature	- 25...+ 85 °C
Process/Port connection & communication	
Electrical connection	Via terminal strip M20 × 1.5

### 4.2. Dimensions

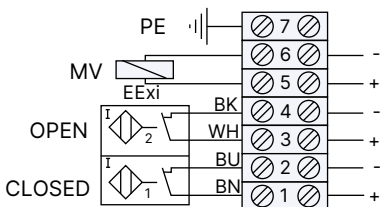
**Note:**

Dimensions in mm



### 4.3. Device/Process connections

**Terminal diagram 2-wires, NAMUR**

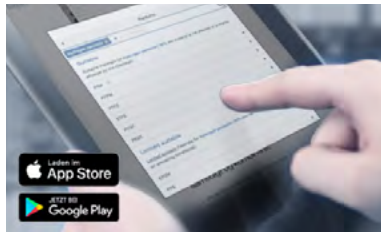


### 4.4. Ordering information

Hole gauge [mm]	Stem height of actuator [mm]	Article no.
80 × 30	20	788873
80 × 30	30	788955
130 × 30	30	788956
130 × 30	50	788957

## 5. Materials

### 5.1. Bürkert resistApp



#### Bürkert resistApp – Chemical resistance chart

You want to ensure the reliability and durability of the materials in your individual application case? Verify your combination of media and materials on our website or in our resistApp.

[Start chemical resistance check](#)

## 6. Ordering information

### 6.1. Bürkert eShop



#### Bürkert eShop – Easy ordering and quick delivery

You want to find your desired Bürkert product or spare part quickly and order directly? Our online shop is available for you 24/7. Sign up and enjoy all the benefits.

[Order online now](#)

### 6.2. Bürkert product filter



#### Bürkert product filter – Get quickly to the right product

You want to select products comfortably based on your technical requirements? Use the Bürkert product filter and find suitable articles for your application quickly and easily.

[Try out our product filter](#)