



TSP

Efficient and space-saving temperature measurement

TEMPERATURE SENSORS

SICK
Sensor Intelligence.



Technical data overview

Measuring range	-30 °C +130 °C
Accuracy of sensor element	Class B according to IEC 60751
Signal outputs and maximum ohmic load R_A	Pt100, 2-wire or Pt1000, 2-wire Pt100, 3-wire or Pt1000, 3-wire

Product description

The TSP is a universal purpose platinum insertion thermometer for the temperature measurement in liquids and gases. It can be adapted to specific applications through its available connection threads and insertion lengths. Wetted parts are made from stainless steel 1.4305. The platinum resistor (Pt100 or Pt1000, accuracy class B according to IEC 60751) is located inside the tip of the probe. It is electrically connected by an M12 x 1 circular connector. Therefore, the device is compact and well suited for narrow installation spaces.

At a glance

- Platinum resistance (Pt100 or Pt1000, 2-wire or 3-wire), accuracy class B according to IEC 60751
- Measuring range -30 °C ... +130 °C
- Various connection threads and insertion lengths
- Parts in contact with media made from stainless steel 1.4305
- Round connector M12 x 1 (IP 67)

Your benefits

- Reliable operation through rugged design and high-quality materials
- Good long-term stability
- Quick and safe installation
- Simple system integration through very compact dimensions

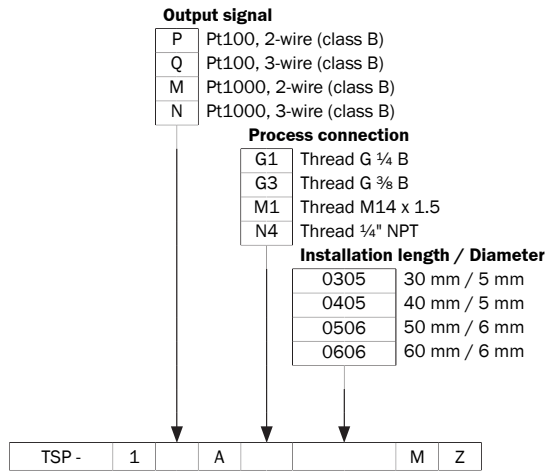
Fields of application

- Temperature measurement of liquids and gases in industrial applications
- Monitoring of operating conditions (e. g., temperature of cooling water or hydraulic oils)
- Tank and tote construction
- Machine and plant engineering
- Heating systems

Type code

Other models and accessories → www.sick.com/TSP

Type code



Not all variants of the type code can be combined!

SICK AT A GLANCE

SICK is one of the leading manufacturers of intelligent sensors and sensor solutions for industrial applications. A unique range of products and services creates the perfect basis for controlling processes securely and efficiently, protecting individuals from accidents and preventing damage to the environment.

We have extensive experience in a wide range of industries and understand their processes and requirements. With intelligent sensors, we can deliver exactly what our customers need. In application centers in Europe, Asia and North America, system solutions are tested and optimized in accordance with customer specifications. All this makes us a reliable supplier and development partner.

Comprehensive services complete our offering: SICK LifeTime Services provide support throughout the machine life cycle and ensure safety and productivity.

For us, that is “Sensor Intelligence.”

WORLDWIDE PRESENCE:

Contacts and other locations –www.sick.com