

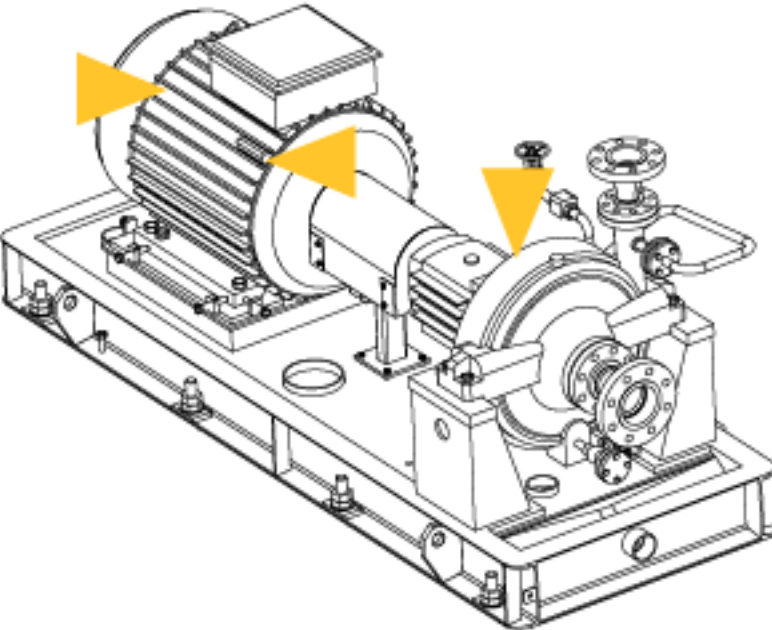
# How the Fluke 3562 works



Fluke gateway sends data to the Live-Asset™ Portal through Wi-Fi, Ethernet, or LTE connection



User can view data through a web application connected to Live-Asset™ Portal



Data is transmitted by sub-GHz radio signal from the sensors to the Fluke gateway

