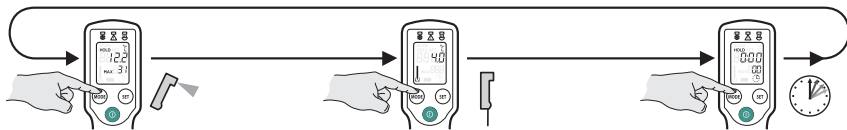


Quick Start Guide

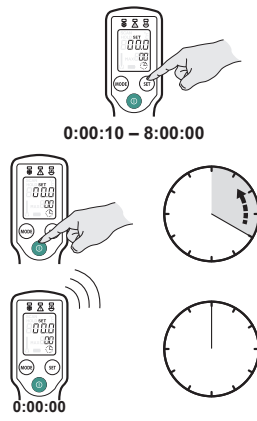
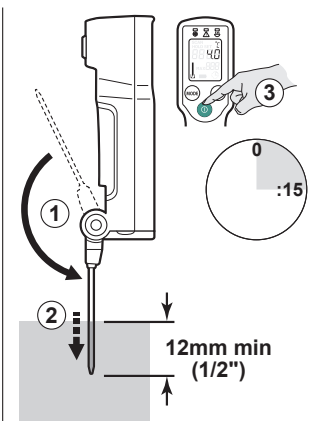
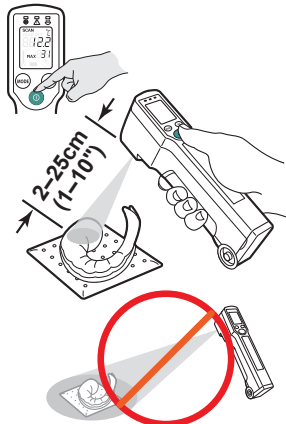
Foodpro Plus



Scan IR Mode

Probe Mode

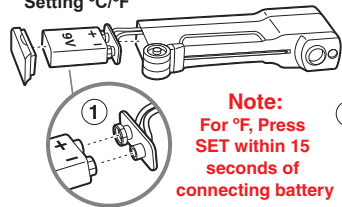
Time Mode



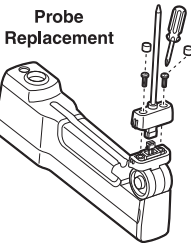
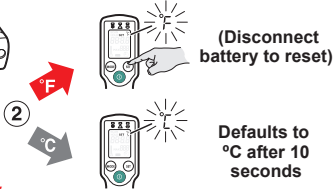
Service/Care

**Battery Installation/
Setting °C/°F**

Immediately change battery when Low Battery Light appears.

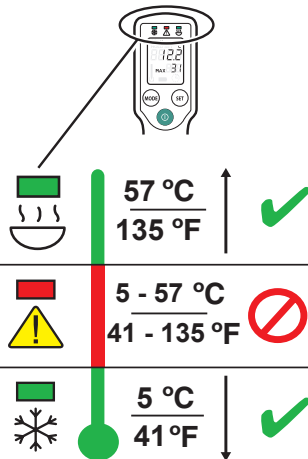


Note:
For °F, Press SET within 15 seconds of connecting battery

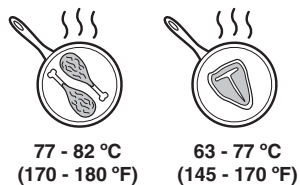
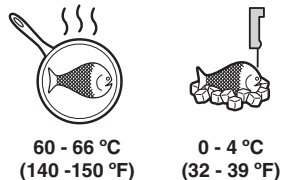


Probe Replacement

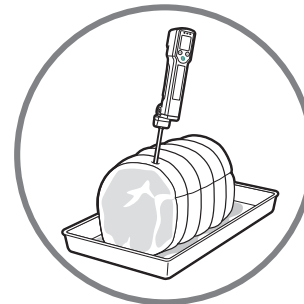
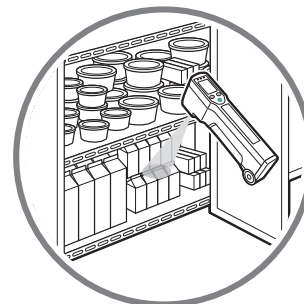
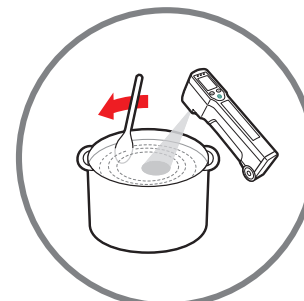
HACCP Check



Temperatures



Applications



Cleaning

