

\* FULL PORT VALVES  
 \*\* AT FULL DIFFERENTIAL PRESSURE AT -320°F (-196°C) WITH PCTFE SEATS

SIZE	A	øD	E	F	G	H	J	K1	K2	øL1	øL2	øO	NPT THREAD	ISO 5211	WEIGHT (lbs)	Cv	TORQUE** (in-lbf)	BODY BOLT SIZE
1/2"	0.31 (8)	0.59 (15)	2.95 (75)	6.1 (155)	10.8 (274)	1.97 (50)	0.36 (9)	0.20 (5)	0.24 (6)	1.65 (42)	1.97 (50)	0.87 (22)	1/2"-14NPT	F04-F05	4	37	180	M6-1.0 X 20
3/4"	0.31 (8)	0.59 (15)	2.95 (75)	6.1 (155)	10.8 (274)	1.97 (50)	0.36 (9)	0.20 (5)	0.24 (6)	1.65 (42)	1.97 (50)	1.08 (27)	3/4"-14NPT	F04-F05	4	38	180	M6-1.0 X 20
1"	0.31 (8)	0.79 (20)	3.15 (80)	6.1 (155)	10.9 (277)	1.97 (50)	0.36 (9)	0.20 (5)	0.24 (6)	1.65 (42)	1.97 (50)	1.34 (34)	1"-11.5NPT	F04-F05	5	71	240	M8-1.25 X 22
1-1/2"	0.44 (11)	1.22 (31)	4.33 (110)	7.1 (180)	11.5 (292)	2.60 (66)	0.43 (11)	0.28 (7)	0.36 (9)	1.97 (50)	2.76 (70)	1.93 (49)	1-1/2"-11.5NPT	F05-F07	8	177	400	M10-1.5 X 25
2"	0.56 (14)	1.50 (38)	4.72 (120)	15.5 (394)	15.9 (404)	3.70 (94)	0.55 (14)	0.36 (9)	0.44 (11)	2.76 (70)	4.02 (102)	2.42 (61)	2"-11.5NPT	F07-F10	16	280	500	M10-1.5 X 25

**PRODUCT INFORMATION:**

1. END CONNECTIONS AVAILABLE IN: SCREWED (FNPT), SOCKET WELD, BUTT WELD, 150# FLANGE (RAISED FACE)
2. SERVICES INCLUDE: OXYGEN CLEANING
3. BALL IS VENTED ON THE STEM SLOT AREA
4. ALL STAINLESS STEEL PASSIVATED
5. ANTI-STATIC DEVICE
6. BLOW-OUT PROOF STEM
7. LOCKING DEVICE (STANDARD)
8. COMPLETE VALVE AUTOMATION

**APPLICABLE STANDARDS:**

1. ASME B1 6.34: DESIGN
2. API 598: INSPECTION AND TESTING
3. ISO 5211: MOUNTING
4. ANSI B1.20.1: NPT
5. ANSI B16.11: FORGED STEEL FITTINGS, SOCKET-WELDING
6. ANSI B16.25: BUTT WELD ENDS
7. BS 6364: CRYOGENIC
8. CGA G-4.1: CLEANING FOR OXYGEN SERVICE
9. USP CLASS VI: CONFIRMATION OF COMPLIANCE (PTFE MATERIAL)

ITEM NO.	DESCRIPTION	MATERIALS	QTY.
1	BODY	A351-CF8M	1
2	END	A351-CF3M	2
3	BALL	A351-CF8M	1
4	SEAT	PTFE	2
5	BODY SEAL	GRAFOIL	2
6	BONNET SEAL	PTFE/GRAFOIL	1
7	THRUST BEARING	CARBON FILLED PTFE	1
8	STEM	17-4 PH STAINLESS STEEL	1
9	THRUST WASHER	PTFE	1
10	O-RING	VITON	1
11	STEM PACKING	PTFE	5
12	EXTENSION BOLT	304 STAINLESS STEEL	4
13	EXTENSION	A351-CF8M	1
14	STEM NUT	304 STAINLESS STEEL	1
15	LOCK TAB	304 STAINLESS STEEL	1
16	STOP NUT	304 STAINLESS STEEL	1
17	STOP WASHER	304 STAINLESS STEEL	1
18	STOP PIN	304 STAINLESS STEEL	1
19	HANDLE BOLT	304 STAINLESS STEEL	1
20	LEVER HANDLE	304 STAINLESS STEEL	1
21	HANDLE SLEEVE	VINYL	1
22	BODY BOLT	304 STAINLESS STEEL	8
23	PIPE HANDLE SCREW (SIZE 2")	304 STAINLESS STEEL	1
24	PIPE HANDLE ADAPTER (SIZE 2")	304 STAINLESS STEEL	1
25	PIPE HANDLE (SIZE 2")	304 STAINLESS STEEL	1

DRAWN BY C.L. DATE 07/06/2017  
 CHECKED BY E.P. DATE 03/29/2019  
 APPROVED BY J.S. DATE 03/29/2019  
(FOR REF ONLY IF NOT APPROVED)

THE INFORMATION CONTAINED IN THIS DRAWING IS THE SOLE PROPERTY OF SVF FLOW CONTROLS, INC. ANY REPRODUCTION IN PART OR IN WHOLE WITHOUT THE WRITTEN CONSENT OF SVF FLOW CONTROLS, INC. IS PROHIBITED.  
 PROJECTION THIRD ANGLE

DESCRIPTION:  
 1/2" K8 3-PIECE CRYOGENIC BALL VALVE, FULL PORT  
 3/4" - 2" K8 3-PIECE CRYOGENIC BALL VALVE, STANDARD PORT  
 UNITS: INCH (MILLIMETERS) DATE: 03/29/2019 REV: D



1

2

3

4

5

6

1

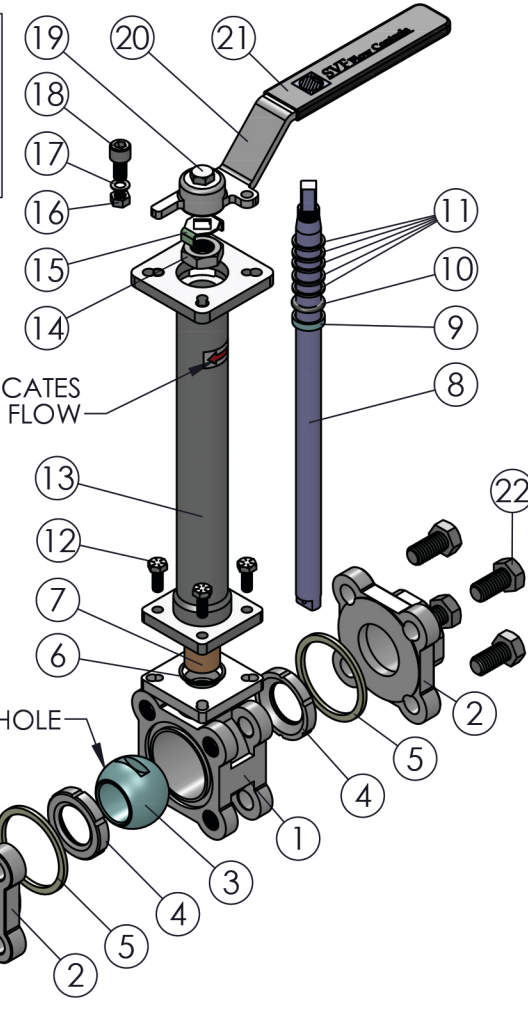
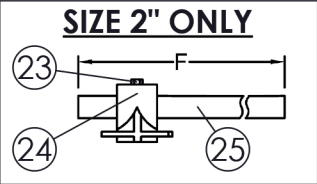
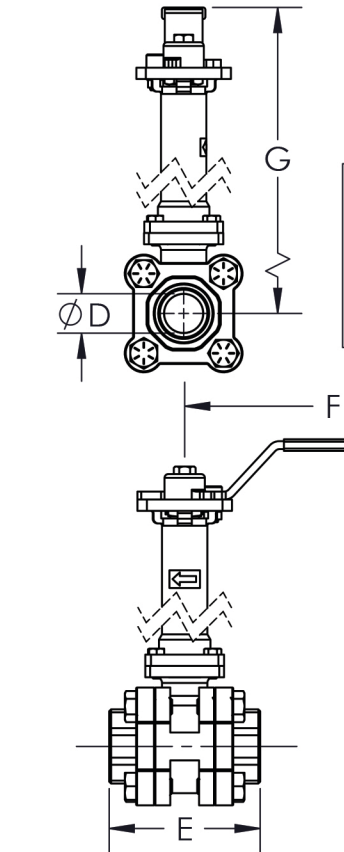
2

3

4

5

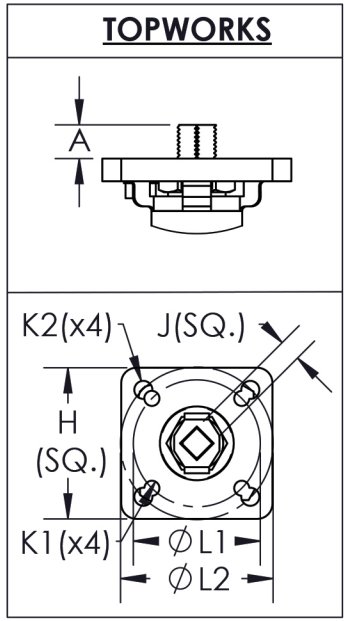
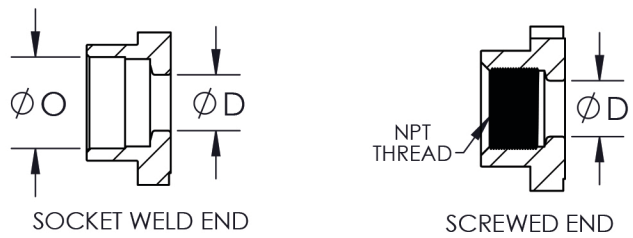
6



PRESSURE RELIEF HOLE

ARROW ON BODY INDICATES DIRECTION OF FLOW

**END CONFIGURATIONS:**



A B C D E F G