

ISO Stem Extension

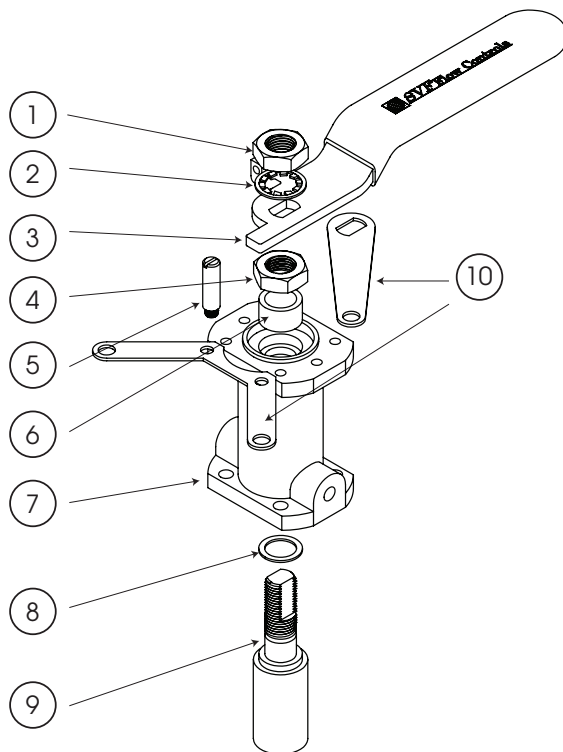
Series 8 and *CleanFLOW™*



ISO STEM EXTENSION DESIGN FEATURES

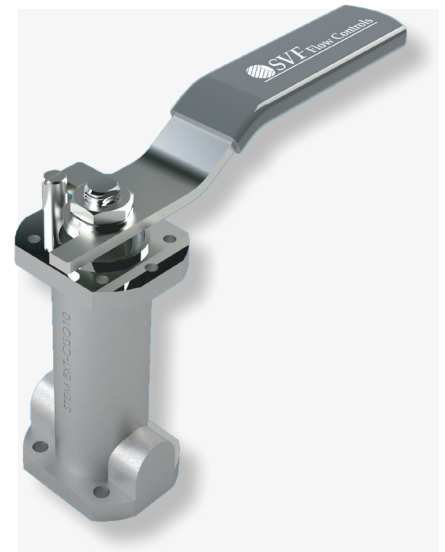
- ✓ Standard ISO 5211 mounting system for modular attachment and field retrofits
- ✓ Rugged and Stable
- ✓ 304 Stainless Steel construction
- ✓ Optional locking device may be field retrofitted

MATERIALS OF CONSTRUCTION



ITEM #	DESCRIPTION	MATERIAL
1	HANDLE NUT	304 SS
2	LOCK WASHER	304 SS
3	HANDLE	304 SS
4	STEM NUT	304 SS
5	STOP PIN	304 SS
6	SPACER	304 SS
7	STEM EXTENSION HOUSING	CF8-304 SS
8	THRUST WASHER	DELRIN
9	STEM SHAFT	304 SS
10	LOCKING DEVICE (OPTIONAL)	304 SS

The SVF ISO Stem Extensions are designed to fit all 8-Series and CleanFlow valves when the valve handle accessibility is difficult or an extended handle height is required.



Stem Extension Sizing Guide

Stem Extension Part #	Valve Series	Valve Size Range
STEM EXT-CISO05	R8, N8, L8, C8, D8, F8, T7	1/4" - 3/4"
	B8, BN8, FB8	1/2"
STEM EXT-CISOSB705	SB7, SB7F, TSB7, TSB7F	1/4" - 3/4"
STEM EXT-CISO10	R8, N8, C8, F8	1" - 1 1/4"
	D8, L8, T7	1"
	B8, FB8, BN8	3/4" - 1"
STEM EXT-CISOSB710	SB7, SB7F, TSB7, TSB7F	1"
STEM EXT-CISO15	R8, N8	1-1/2" - 2-1/2"
	C8, D8, F8, T7	1-1/2" - 2"
	B8, FB8, BN8	1-1/4" - 2"
STEM EXT-CISOSB715	SB7, SB7F, TSB7, TSB7F	1-1/2" - 2"
STEM EXT-CISOSB70025	SB7, SB7F, TSB7, TSB7F	2-1/2"
STEM EXT-CISO30	R8, N8	3"
	B8, BN8	2-1/2"
	FS7	3" - 4"
	SB7, SB7F, TSB7, TSB7F	3" - 4"

The ISO Stem Extension is a "bolt on" design that is easy to install and provides a rugged attachment for the most demanding applications. The Stem Extension option is available for multiple valve series and a broad range of valve sizes. Reference the ISO Stem Extension guide below.

What do you need today?™



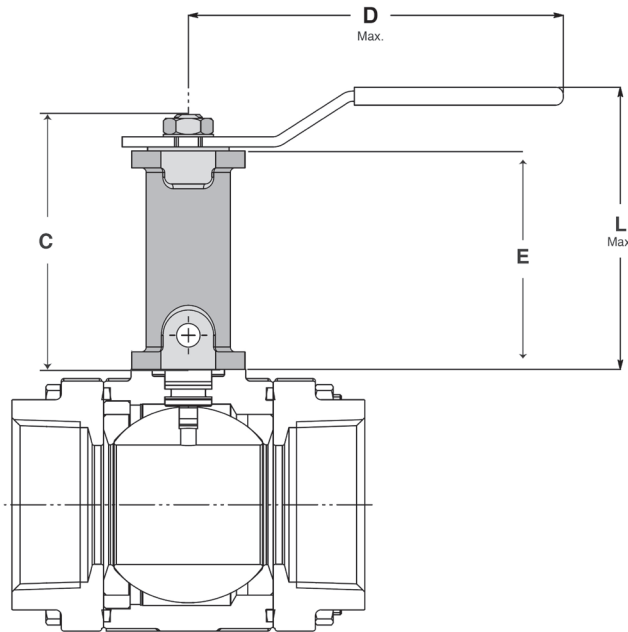
ISO Stem Extension

Series 8 and *CleanFLOW™*



DIMENSIONS, WEIGHT, TORQUE

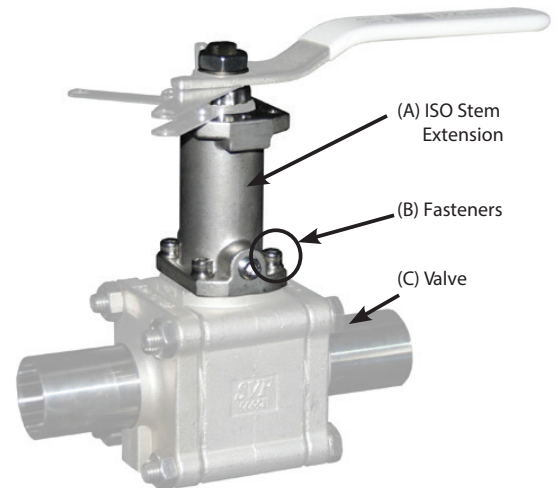
Model	C		D		E		L		Weight		Torque	
	in.	mm	in.	mm	in.	mm	in.	mm	lbs	kg	in-lbs	Nm
STEM EXT-CISO05 STEM EXT-CISOSB705	3.8	96	4.7	119	3.3	83	4.4	112	1	0.5	18	2
STEM EXT-CISO10 STEM EXT-CISOSB710	3.9	100	6.0	152	3.3	83	4.4	112	1	0.5	27	3
STEM EXT-CISO15 STEM EXT-CISOSB715	4.4	113	7.4	188	3.3	83	4.7	119	2	0.9	32	4
STEM EXT-CISOSB725	5.7	145	14.0	356	4.0	102	7.4	188	6	2.8	179	20
STEM EXT-CISO30	5.4	137	14.0	356	3.5	89	6.9	175	6	2.8	179	20



FIELD INSTALLATION

For field installation, follow the steps below:

1. Remove the handle nut and the handle from the valve.
- 2.a. For 8-Series valves using STEM EXT-CISO05 through STEM EXT-CISO15, thread the handle nut back onto the valve and firmly tighten. (Skip to Step 3 for all valves using STEM EXT-CISO30)
- 2.b. For CleanFlow valves using STEM EXT-CISO10 and STEM EXT-CISO15, thread the handle nut back onto the valve and firmly tighten. (Skip to Step 3 for all valves using STEM EXT-CISO05 and STEM EXT-CISO30)
3. Install the ISO stem extension onto the valve as shown in the picture below.
4. Use the provided fasteners to secure the ISO stem extension to the valve. The fasteners should be firmly tightened.



HOW TO ORDER ISO STEM EXTENSION MODULES		
Ordering Code Sequence (Columns 1 thru 3)		
1	2	3
Series	Options	Size/Type *
STEM EXT-CISO = ISO Stem Extension	Blank = None	05 = 1/2" ~ 3/4" Series R8, 1/2" Series B8
	LK = Locking Device	10 = 1" ~ 1-1/4" Series R8, 3/4" ~ 1" Series B8
		15 = 1-1/2" ~ 2-1/2" Series R8, 1-1/4" ~ 2 Series B8
		30 = 3" Series R8, 2-1/2" Series B8, 3" ~ 4" Series SB7 & TSB7 (Has built in locking device)
		Note: * For more valve options, refer to the Stem Extension Sizing Guide on page 1.
STEM EXT-CISOSB7 = ISO Stem Extension	Blank = None	05 = 1/4" ~ 3/4" Series SB7 and TSB 7
	LK = Locking Device	10 = 1" Series SB7 and TSB7
		15 = 1-1/2" ~ 2" Series SB7 and TSB7
		0025 = 2-1/2" Series SB7 and TSB7
		Note: * For more valve options, refer to the Stem Extension Sizing Guide on page 1.

Order Example: (STEM EXT-CISO05)

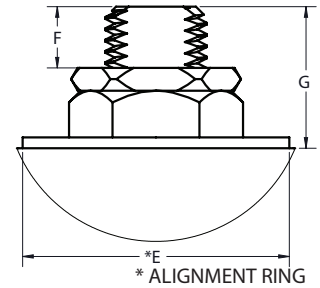
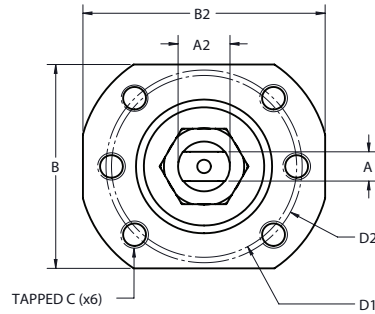
ISO Stem Extension

Series 8 and *CleanFLOW™*



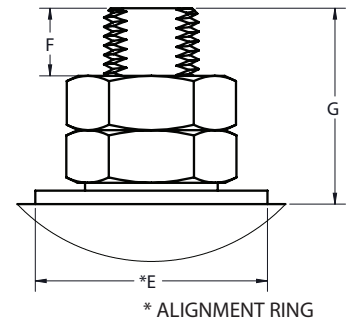
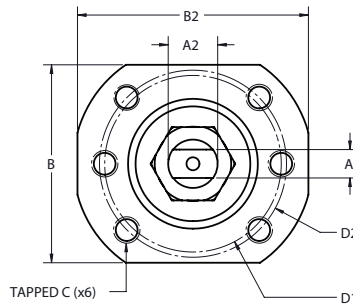
TOPWORKS

TopWorks Data Sheets provide the dimensions necessary to actuate a valve supplied by SVF Flow Controls, Inc. All data is based on SVF assemblies. All dimensions shown are in inches.



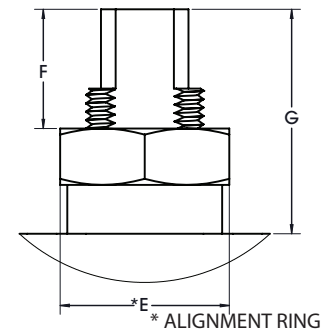
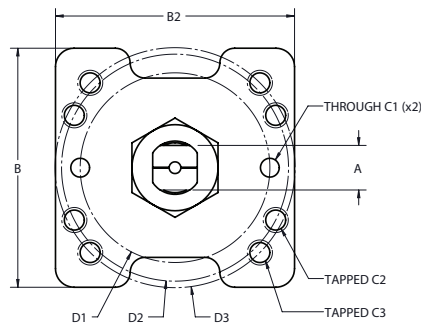
ISO STEM EXTENSIONS (05-10) DOUBLE NUT

Model	A	A2	B	B2	C	D	ISO 5211	E	F	G
STEM EXT-CISO05 STEM EXT-CISOSB705	0.22	0.37	1.50	1.80	M5-0.8	1.42	F03	1.00	0.16	0.52
STEM EXT-CISO10 STEM EXT-CISOSB710	0.30	0.43	1.70	2.00	M5-0.8	1.65	F04	1.20	0.31	0.70



ISO STEM EXTENSIONS (15) DOUBLE NUT

Model	A	A2	B	B2	C	D1	D2	ISO 5211	E	F	G
STEM EXT-CISO015 STEM EXT-CISOSB715	0.34	0.56	1.80	2.50	M6-1.0	1.85	1.97	F05	1.40	0.38	1.18



ISO STEM EXTENSIONS (25-30) SINGLE NUT

Model	A	B	B2	C1	C2&C3	D1	D2	D3	ISO 5211	E	F	G
STEM EXT-CISOSB725 STEM EXT-CISO30	0.75	4.00	4.00	3.20	M10-1.5	3.17	3.78	4.01	F10	1.50	0.88	1.95

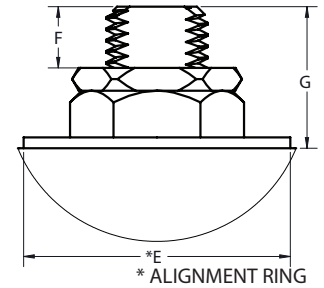
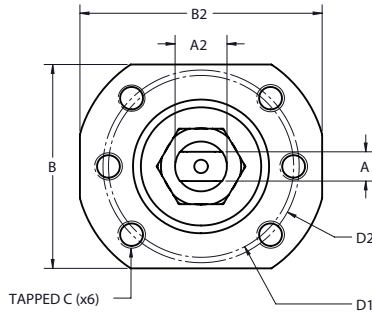
ISO Stem Extension

Series 8 and *CleanFLOW™*



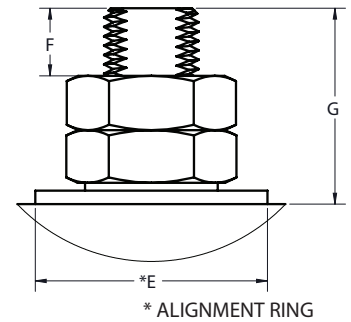
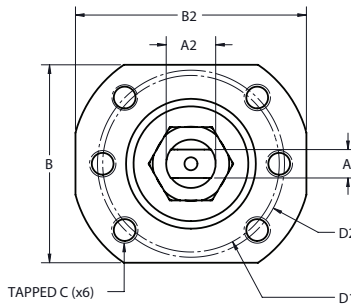
TOPWORKS

TopWorks Data Sheets provide the dimensions necessary to actuate a valve supplied by SVF Flow Controls, Inc. All data is based on SVF assemblies. All dimensions shown are in inches.



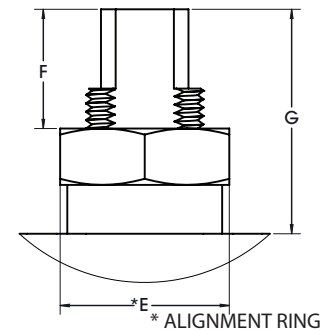
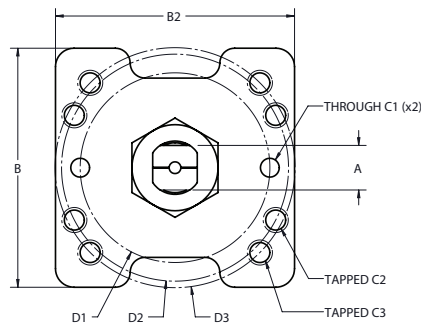
ISO STEM EXTENSIONS (05-10) DOUBLE NUT

Model	A	A2	B	B2	C	D	ISO 5211	E	F	G
STEM EXT-CISO05 STEM EXT-CISOSB705	0.22	0.37	1.50	1.80	M5-0.8	1.42	F03	1.00	0.16	0.52
STEM EXT-CISO10 STEM EXT-CISOSB710	0.30	0.43	1.70	2.00	M5-0.8	1.65	F04	1.20	0.31	0.70



ISO STEM EXTENSIONS (15) DOUBLE NUT

Model	A	A2	B	B2	C	D1	D2	ISO 5211	E	F	G
STEM EXT-CISO015 STEM EXT-CISOSB715	0.34	0.56	1.80	2.50	M6-1.0	1.85	1.97	F05	1.40	0.38	1.18



ISO STEM EXTENSIONS (25-30) SINGLE NUT

Model	A	B	B2	C1	C2&C3	D1	D2	D3	ISO 5211	E	F	G
STEM EXT-CISOSB725 STEM EXT-CISO30	0.75	4.00	4.00	3.20	M10-1.5	3.17	3.78	4.01	F10	1.50	0.88	1.95