

# Monoflange for pressure measuring instruments

## Model 910.80

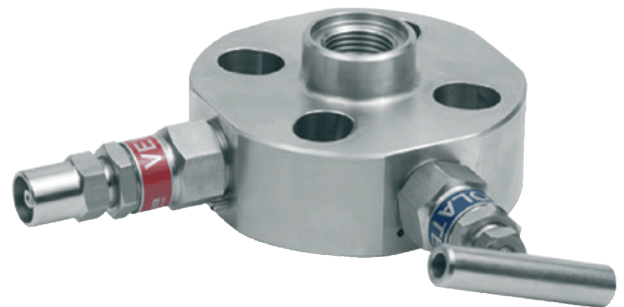
WIKA data sheet AC 09.17

### Applications

- Block-and-bleed valve manifold for pressure gauges, for measuring liquids, gases and vapours
- For corrosive pressure media, also in aggressive environments
- For industrial process plants within: machine building, general plant construction, chemical/petrochemical, power stations, mining, on- and offshore and environmental technology

### Special features

- Compact design
- Flange connection per DIN/EN or ASME B16.5, axially mounted flange (radial flange on request)
- Heavy duty block-and-bleed manifold
- Anti-tamper bleed valve with key



Monoflange model 910.80 per DIN/EN, DN 25, PN 40

### Description

For connections to the process using connection flanges, the monoflange enables an optimal and compact measuring point assembly.

In addition, stress from vibration, potential leak points as well as installation and maintenance costs are reduced.

The monoflange is mounted directly onto the axial flange (radial flange on request), allowing the gauge to be kept in an upright position.

The monoflange includes a block valve, a bleed valve and a vent hole.

#### ASME B16.5 version

Flange body nominal size: 1/2"

Low pressure model: 600 lbs, RF, weight 1.9 kg

High pressure model: 2,500 lbs, RF, weight approx. 3 kg

#### DIN/EN version

Flange body nominal size DN 25, pressure rating PN 40, weight 2.9 kg

Other pressure ratings and nominal sizes (DN) on request

## Standard version

### Position of process connection

Design for axially-mounted flanges  
(radial on request)

### Block-and-bleed valve

- Valves with external spindle thread
- Rolled valve spindle with pivoted double cone
- Anti-tamper bleed valve with key

### Pressure gauge connection

Thread 1/2 NPT female

### Vent connection

Thread 1/4 NPT female

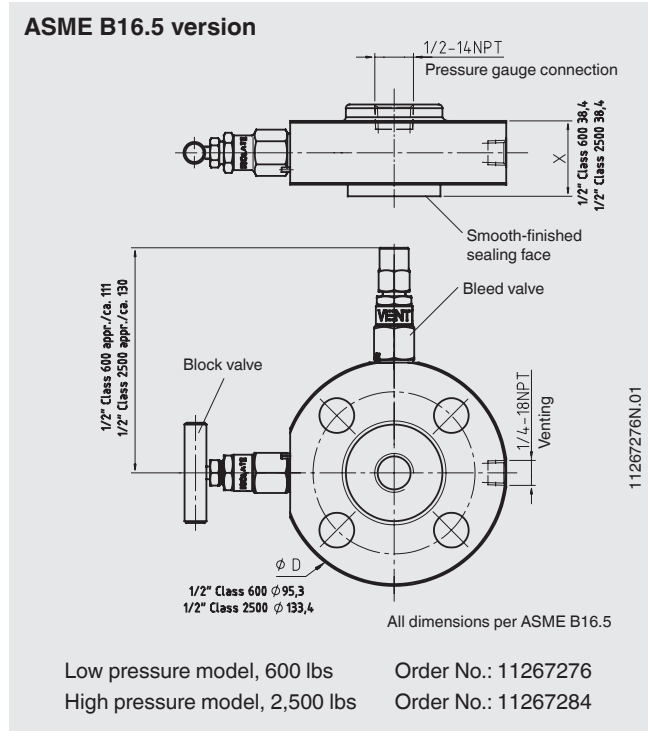
### Material specification

Body, bonnet and spindle: Stainless steel

Pivoted double cone: Stainless steel

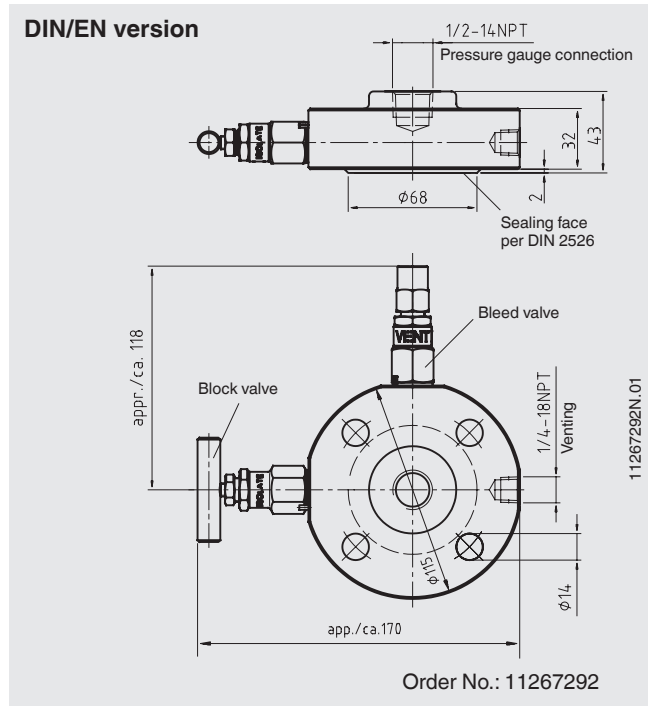
Gland packing: PTFE

## Dimensions in mm



## Options

- Design for vertically-mounted flanges
- 3.1 material test certificate per EN 10204
- Other materials



## Ordering information

To order the described product the given order number is sufficient. Other options require additional specification.

© 2007 WIKA Alexander Wiegand SE & Co. KG, all rights reserved.  
The specifications given in this document represent the state of engineering at the time of publishing.  
We reserve the right to make modifications to the specifications and materials.

