

Features

- Limits pressure in the system to help prevent process upset and equipment failure

Construction

Valve Parts in Contact with Fluids	
Body	316L Stainless Steel
Seals	NBR

Media

Air or inert gas

Nominal Ambient Temp. Ranges

-4°F to 221°F (-20°C to 105°C)

Refer to Engineering Section for details.



Specifications (English units)

Pipe Size (in)	Maximum Operating Pressure Differential psi (bar)	Max. Fluid Temp. °F (°C)	Base Catalog Number	Const. Ref.
1/4	200 (14)	221 (105)	U800A700 ①	1
1/2	200 (14)	221 (105)	U800A702 ①	2

① See How to Order section to complete part number

How to Order

U 800 A 700 01 N00 L4

Connection Type
U = External NPT

Product Series
800

Revision
A

Pipe Size / Body Material
700 1/4 316 SS Pressure Relief Valve
702 1/2 316L SS Pressure Relief Valve

Pressure Range Type*
01 1/4" Pressure Relief Valve Setting 146 to 217 psi (10.1 to 15 bar)
02 1/4" Pressure Relief Valve Setting 29 to 145 psi (2 to 10 bar)
03 1/2" Pressure Relief Valve Setting 102 to 174 psi (7.1 to 12 bar)
04 1/2" Pressure Relief Valve Setting 29 to 101 psi (2 to 7 bar)

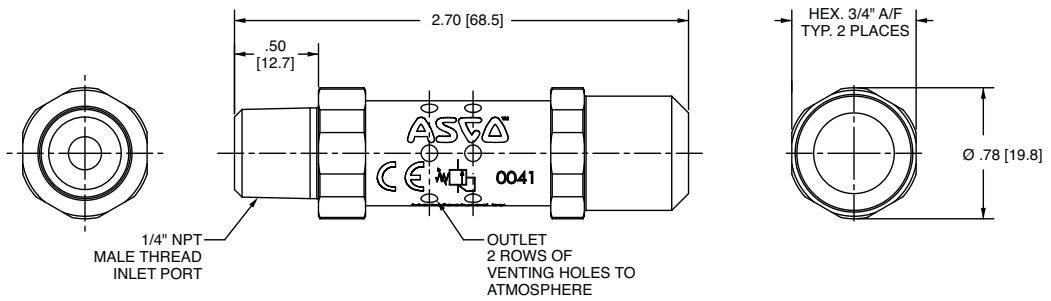
Elastomer
N00 = NBR

Pressure Settings

C0 = 29 psi / 2.0 bar	F4 = 78 psi / 5.4 bar	J8 = 127 psi / 8.8 bar	M9 = 172 psi / 11.9 bar
C1 = 30 psi / 2.1 bar	F5 = 80 psi / 5.5 bar	J9 = 129 psi / 8.9 bar	N0 = 174 psi / 12.0 bar
C2 = 32 psi / 2.2 bar	F6 = 81 psi / 5.6 bar	K0 = 130 psi / 9.0 bar	N1 = 175 psi / 12.1 bar
C3 = 33 psi / 2.3 bar	F7 = 82 psi / 5.7 bar	K1 = 132 psi / 9.1 bar	N2 = 177 psi / 12.2 bar
C4 = 35 psi / 2.4 bar	F8 = 84 psi / 5.8 bar	K2 = 133 psi / 9.2 bar	N3 = 178 psi / 12.3 bar
C5 = 36 psi / 2.5 bar	F9 = 85 psi / 5.9 bar	K3 = 135 psi / 9.3 bar	N4 = 180 psi / 12.4 bar
C6 = 37 psi / 2.6 bar	G0 = 87 psi / 6.0 bar	K4 = 136 psi / 9.4 bar	N5 = 181 psi / 12.5 bar
C7 = 39 psi / 2.7 bar	G1 = 88 psi / 6.1 bar	K5 = 137 psi / 9.5 bar	N6 = 183 psi / 12.6 bar
C8 = 40 psi / 2.8 bar	G2 = 90 psi / 6.2 bar	K6 = 139 psi / 9.6 bar	N7 = 184 psi / 12.7 bar
C9 = 42 psi / 2.9 bar	G3 = 91 psi / 6.3 bar	K7 = 140 psi / 9.7 bar	N8 = 185 psi / 12.8 bar
D0 = 43 psi / 3.0 bar	G4 = 93 psi / 6.4 bar	K8 = 142 psi / 9.8 bar	N9 = 187 psi / 12.9 bar
D1 = 45 psi / 3.1 bar	G5 = 94 psi / 6.5 bar	K9 = 143 psi / 9.9 bar	P0 = 188 psi / 13.0 bar
D2 = 46 psi / 3.2 bar	G6 = 95 psi / 6.6 bar	L0 = 145 psi / 10.0 bar	P1 = 190 psi / 13.1 bar
D3 = 48 psi / 3.3 bar	G7 = 97 psi / 6.7 bar	L1 = 146 psi / 10.1 bar	P2 = 191 psi / 13.2 bar
D4 = 49 psi / 3.4 bar	G8 = 98 psi / 6.8 bar	L2 = 148 psi / 10.2 bar	P3 = 193 psi / 13.3 bar
D5 = 50 psi / 3.5 bar	G9 = 100 psi / 6.9 bar	L3 = 149 psi / 10.3 bar	P4 = 194 psi / 13.4 bar
D6 = 52 psi / 3.6 bar	H0 = 101 psi / 7.0 bar	L4 = 151 psi / 10.4 bar	P5 = 196 psi / 13.5 bar
D7 = 53 psi / 3.7 bar	H1 = 103 psi / 7.1 bar	L5 = 152 psi / 10.5 bar	P6 = 197 psi / 13.6 bar
D8 = 55 psi / 3.8 bar	H2 = 104 psi / 7.2 bar	L6 = 153 psi / 10.6 bar	P7 = 199 psi / 13.7 bar
D9 = 56 psi / 3.9 bar	H3 = 106 psi / 7.3 bar	L7 = 155 psi / 10.7 bar	P8 = 200 psi / 13.8 bar
E0 = 58 psi / 4.0 bar	H4 = 107 psi / 7.4 bar	L8 = 156 psi / 10.8 bar	P9 = 201 psi / 13.9 bar
E1 = 59 psi / 4.1 bar	H5 = 108 psi / 7.5 bar	L9 = 158 psi / 10.9 bar	Q0 = 203 psi / 14.0 bar
E2 = 61 psi / 4.2 bar	H6 = 110 psi / 7.6 bar	M0 = 160 psi / 11.0 bar	Q1 = 204 psi / 14.1 bar
E3 = 62 psi / 4.3 bar	H7 = 111 psi / 7.7 bar	L6 = 156 psi / 10.8 bar	Q2 = 206 psi / 14.2 bar
E4 = 64 psi / 4.4 bar	H8 = 113 psi / 7.8 bar	L9 = 158 psi / 10.9 bar	Q3 = 207 psi / 14.3 bar
E5 = 65 psi / 4.5 bar	H9 = 114 psi / 7.9 bar	M0 = 160 psi / 11.0 bar	Q4 = 209 psi / 14.4 bar
E6 = 66 psi / 4.6 bar	J0 = 116 psi / 8.0 bar	M1 = 161 psi / 11.1 bar	Q5 = 210 psi / 14.5 bar
E7 = 68 psi / 4.7 bar	J1 = 117 psi / 8.1 bar	M2 = 162 psi / 11.2 bar	Q6 = 211 psi / 14.6 bar
E8 = 69 psi / 4.8 bar	J2 = 119 psi / 8.2 bar	M3 = 164 psi / 11.3 bar	Q7 = 213 psi / 14.7 bar
E9 = 71 psi / 4.9 bar	J3 = 120 psi / 8.3 bar	M4 = 165 psi / 11.4 bar	Q8 = 215 psi / 14.8 bar
F0 = 72 psi / 5.0 bar	J4 = 122 psi / 8.4 bar	M5 = 166 psi / 11.5 bar	Q9 = 216 psi / 14.9 bar
F1 = 74 psi / 5.1 bar	J5 = 123 psi / 8.5 bar	M6 = 168 psi / 11.6 bar	R0 = 217 psi / 15.0 bar
F2 = 75 psi / 5.2 bar	J6 = 124 psi / 8.6 bar	M7 = 170 psi / 11.7 bar	
F3 = 76 psi / 5.3 bar	J7 = 126 psi / 8.7 bar	M8 = 171 psi / 11.8 bar	

Dimensions inches (mm)

Const. Ref. 1



Const. Ref. 2

