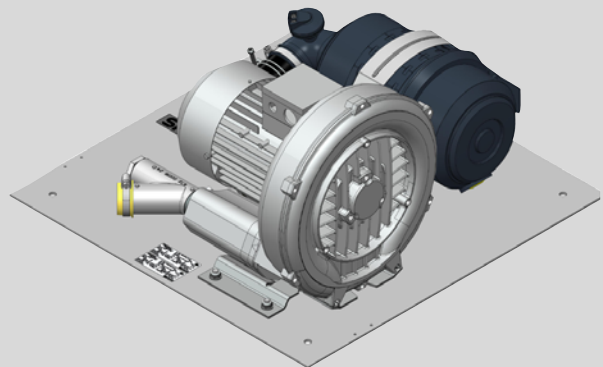


SLV4

Purge Air Unit

Installation, Operation, Maintenance

SICK
Sensor Intelligence.



Described Product

Product name: SLV4
Variants: SLV4 - 2BH1300
SLV4 - 2BH1400
SLV4 - 2BH1500

Document ID

Title: Operating Instructions SLV4
Part No.: 8007692/ZS82
Version: V2-1
Release: 2018-03

Manufacturer

SICK AG
Erwin-Sick-Str. 1 · D-79183 Waldkirch · Germany
Phone: +49 7641 469-0
Fax: +49 7641 469-1149
E-Mail: info.pa@sick.de

Legal information

This work is protected by copyright. All rights derived from the copyright shall be reserved for SICK AG. Reproduction of this document or parts of this document is only permissible within the limits of the legal determination of Copyright Law.

Any modification, shortening or translation of this document is prohibited without the express written permission of SICK AG.

The trademarks stated in this document are the property of their respective owner.

© SICK AG. All rights reserved.

Original document

This document is an original document of SICK AG.



Contents

1	About this document.....	5
1.1	Function of this document.....	5
1.2	Further information.....	5
1.3	Symbols and document conventions.....	5
1.3.1	Warning Symbols.....	5
1.3.2	Warning levels and signal words.....	5
1.3.3	Information Symbols.....	6
2	For your safety.....	7
2.1	Basic safety information.....	7
2.1.1	Electric system.....	7
2.1.2	Purge air failure.....	7
2.2	Intended use.....	8
2.3	Unintended use.....	8
2.4	Requirements to the personnel's qualification.....	8
3	Product description.....	9
3.1	Product identification.....	9
3.2	Features of the SLV4.....	9
3.3	Device variants.....	9
4	Installation.....	10
4.1	Preparing the installation location.....	10
4.2	Scope of delivery.....	10
4.3	Assembly.....	11
4.4	Electrical installation.....	13
4.4.1	Performance by customer.....	13
4.4.2	Electric connection.....	14
5	Shutdown.....	18
5.1	Necessary technical knowledge for shutdown.....	18
5.2	Switching the purge air unit off.....	18
5.3	Disposal.....	18
6	Maintenance.....	19
6.1	Necessary technical knowledge for maintenance work.....	19
6.2	Safety instructions for maintenance work.....	19
6.3	Maintenance plan.....	19
6.4	Expendable materials per maintenance.....	19
6.5	Maintenance work.....	20
6.5.1	Exchanging the filter element (Part No. 5306091).....	20
6.5.2	Checking the purge air hoses and housing seals.....	21
6.5.3	Checking blower noises.....	21
6.5.4	Checking the low-pressure monitor and flow monitor.....	21
6.6	Spare parts.....	22

7	Clearing malfunctions.....	23
8	Licenses and specifications	24
8.1	Conformities and Approvals	24
8.1.1	Electrical protection	24
8.2	Technical data	25
8.2.1	Dimensions.....	25
8.2.2	Operating data.....	27
8.2.2.1	Type 2BH1300.....	27
8.2.2.2	Type 2BH1400.....	28
8.2.2.3	Type 2BH1500.....	28
8.2.2.4	Device features.....	29

1 About this document

1.1 Function of this document

- These Operating Instructions must be
- ▶ kept ready for reference at all times.
 - ▶ passed on to new owners.

1.2 Further information





- ▶ Pay attention to the supplied documents.

Apart from these Operating Instructions, the following documents included in the scope of delivery are applicable:

- Europiclón preliminary filter - Operating and Maintenance Instructions
- Blower – Operating Instructions G_200 series

1.3 Symbols and document conventions

1.3.1 Warning Symbols

Symbol	Significance
	IMMEDIATE HAZARD of severe injuries or death
	Hazard (general)
	Hazard by voltage
	Hazard by high temperature or hot surfaces

1.3.2 Warning levels and signal words

DANGER

Risk or hazardous situation which *will* result in severe personal injury or death.

WARNING

Risk or hazardous situation which *could* result in severe personal injury or death.





CAUTION

Hazard or unsafe practice which could result in less severe or minor injuries.

NOTICE

Hazard which *could* result in material damage.

1.3.3 Information Symbols

Symbol	Significance
	Important technical information for this product
	Important information on electrical or electronic functions
	Supplementary information
	Link to information at another place

2 For your safety

2.1 Basic safety information

- Read and observe these Operating Instructions.
- Observe all safety instructions.
- If there is something you do not understand: Contact SICK Customer Service.
- Basis of this Manual is the delivery of the device according to the preceding project planning (e.g., based on the SICK application questionnaire) and the relevant delivery state of the device (delivered System Documentation).
 - Contact SICK Customer Service if you are not sure whether the device corresponds to the state defined during project planning or to the delivered system documentation.
- Use the device only as described in “Intended use”.
The manufacturer bears no responsibility for any other use.
- Carry out the specified maintenance work.
- Do not attempt any work on or repairs to the device unless described in this Manual.
- Do not remove, add or change any components in or on the device unless such changes are officially allowed and specified by the manufacturer.
Failure to observe these precautions could result in:
 - voiding the manufacturer's warranty.
 - causing the device to become dangerous.
 - the approval for use in potentially explosive atmospheres is no longer valid

2.1.1 Electric system



WARNING: Possible hazards for persons through electrical equipment

- The purge air unit is electrical equipment for use in industrial high-voltage plants. This electrical equipment has parts that are dangerous, live and possibly not insulated during installation, start-up and operation.
 - Unauthorized removal of required covers, incorrect usage or operation or inadequate maintenance of system components referred to above can cause severe health or material damage.
- ▶ Always read warnings carefully and follow them at all times!

2.1.2 Purge air failure



CAUTION: Behavior during purge air failure

Hot, corrosive gases can severely damage the connected measuring system within a few minutes if the purge air supply fails. Especially when overpressure is present, the gas can also penetrate the purge air blower and filter via the purge air hose and damage these system components.

- ▶ If the purge air supply fails, take immediate measures to protect the measuring system, see “Clearing malfunctions”, page 23

2.2 Intended use

The SLV4 purge air unit serves to supply purge air to in-situ measuring devices to protect the device components against contamination and high gas temperatures or aggressive gases.

Correct use

- ▶ Only use the device as described in these Operating Instructions (see “[Product description](#)”, page 9, see “[Installation](#)”, page 10). The manufacturer bears no responsibility for any other use.
- ▶ Carry out the specified maintenance work.

Special local requirements

- ▶ Follow all local laws, regulations and company-internal operating directives applicable at the installation location.

2.3 Unintended use

- !▶ Do not remove, add or change any components in or on the device unless such changes are officially allowed and specified by the manufacturer. Otherwise
 - the device may become dangerous
 - the manufacturer’s warranty becomes void

2.4 Requirements to the personnel's qualification

The SLV4 purge air unit may be operated by competent persons only who, based on their device-specific training and knowledge of the device as well as knowledge of the relevant regulations, can assess the tasks given and recognize the dangers involved.

3 Product description

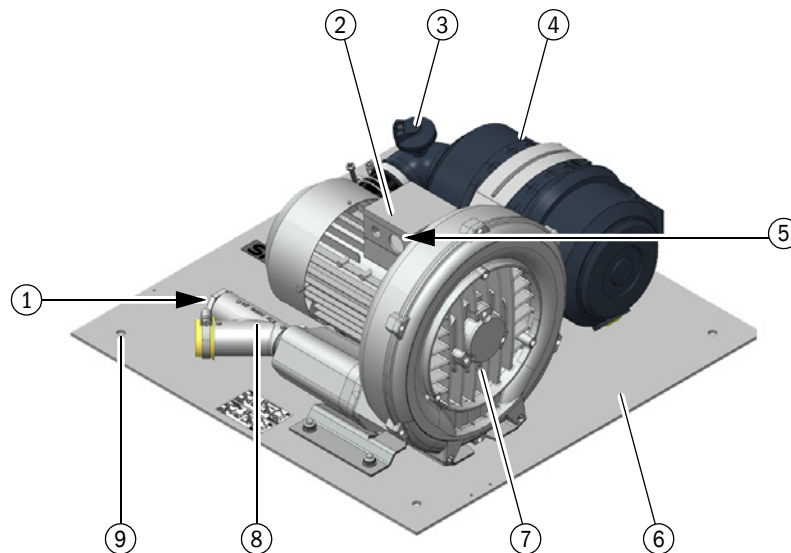
3.1 Product identification

The type plate is fitted on the assembly plate (bottom) as well as on the blower connection box.

3.2 Features of the SLV4

In-situ measuring devices are fitted with a standard SLV4 purge air unit, type 2BH1300, 2BH1400 or 2BH1500. It supplies filtered ambient air to the purge air fixtures of the measuring system. This protects, for example, the optic windows of the measuring device against contamination and aggressive gases and cools the measuring device when hot gases are present. A low-pressure monitor permanently monitors the air filter function to ensure sufficient purge air is supplied to the measuring system. The low-pressure monitor triggers a maintenance request when filter contamination is too strong.

Fig. 1: SLV4 purge air unit (single phase version)



- | | |
|---|--|
| 1 Purge air hose connection | 6 Base plate |
| 2 Connection box for purge air motor (type plate) | 7 Purge air blower |
| 3 Low-pressure monitor | 8 Y-distributor for purge air supply for 2 device components |
| 4 Air filter with integrated preliminary filter | 9 Assembly hole (4 x) |
| 5 Cable duct:
M16 x 1.5
M25 x 1.5 | |

3.3 Device variants

- Type 2BH1300: Standard version for purge air volumes up to approx. 63 m³/h; for detailed specifications, see Technical Data [see “Technical data”, page 25](#)
- Type 2BH1400: Version for purge air volumes up to approx. 125 m³/h; for detailed specifications, see Technical Data [see “Technical data”, page 25](#)
- Type 2BH1500: Version for purge air volumes up to approx. 196 m³/h; for detailed specifications, see Technical Data [see “Technical data”, page 25](#)

4 Installation

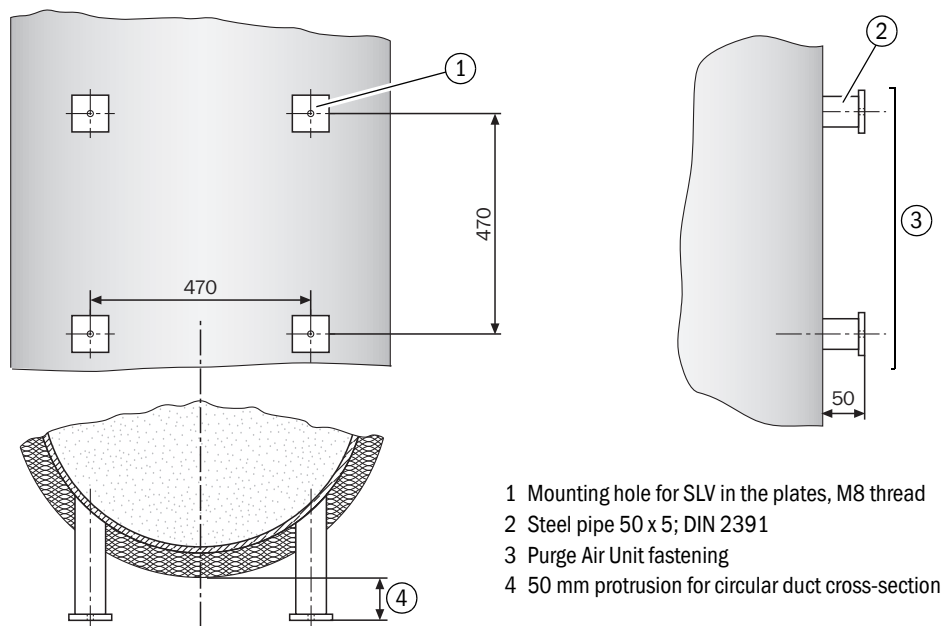
4.1 Preparing the installation location



NOTE: Observe the following information!

- Select an assembly location on the duct (with weldable brackets) or directly on an adjacent wall (dimensions see “Installation recommendation for SLV4 purge air unit (duct diameter not representative)”, page 10)
- Plan secure cable guidance
- Intake temperature max. 40 °C.
- The dust content in intake air must be as low as possible.
- Keep the connection hose to the device as short as possible, but not longer than 5 m (standard length delivered with the device is 10 m)
- When the overpressure at the measuring location exceeds 10 hPa/10 mbar, contact SICK Customer Service because a more powerful blower may then be required.
- Plan sufficient clearance for assembly work when using a weatherproof cover (dimensions see “Dimensions”, page 25).

Fig. 2: Installation recommendation for SLV4 purge air unit (duct diameter not representative)



4.2 Scope of delivery

- ▶ Compare the data on the type plate against the data in the order confirmation/delivery note – these must match!
- ▶ Check the scope of delivery against the order confirmation/delivery note.

4.3 Assembly



NOTE: Installation on duct:

- ▶ Brackets (not included in scope of delivery) should have M8 thread holes or M8 separator bolts for fastening to the base plate.

Fitting the brackets (onsite; not in scope of delivery)

- ▶ Make the brackets using steel pipes (e.g. 50 x 5) with flanges (e.g. FL60 x 8 x 60) for the 4 fastening points of the base plate of the purge air unit. [see page 10, Fig. 2.](#)
- ▶ Weld the brackets on as shown when using steel ducts.
- ▶ For stone stacks, fit retainer plates to each steel pipe or use a different, suitable mounting for the purge air unit.

Assembly steps

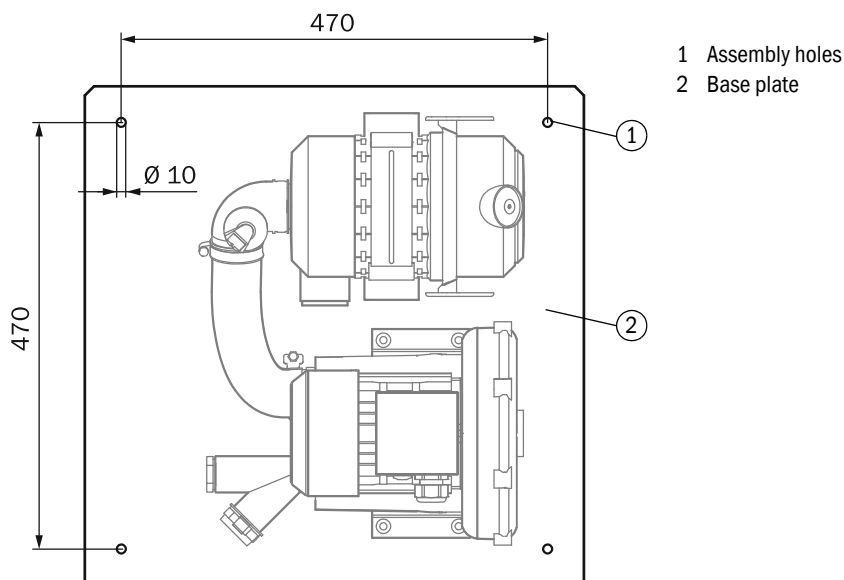
- 1 Attach the base plate to the onsite brackets with 4 M8 x 45 screws
- 2 Cut the purge air hose to length for the SR-unit and fit onto the open outlet of the Y-piece of the purge air blower with a hose clamp.
- 3 Close off the hose ends when the purge air unit is not going to be used for a longer period.



NOTE: When only one hose connection is fitted, make sure the second hose connection remains closed off with a dummy plug.

- 4 For outdoor installations, fit the weatherproof cover planned during project planning (optional in scope of delivery).
- 5 If the purge air unit is not to be put into operation immediately:
 - ▶ Protect the open purge air hose ends against moisture and contamination until starting up.

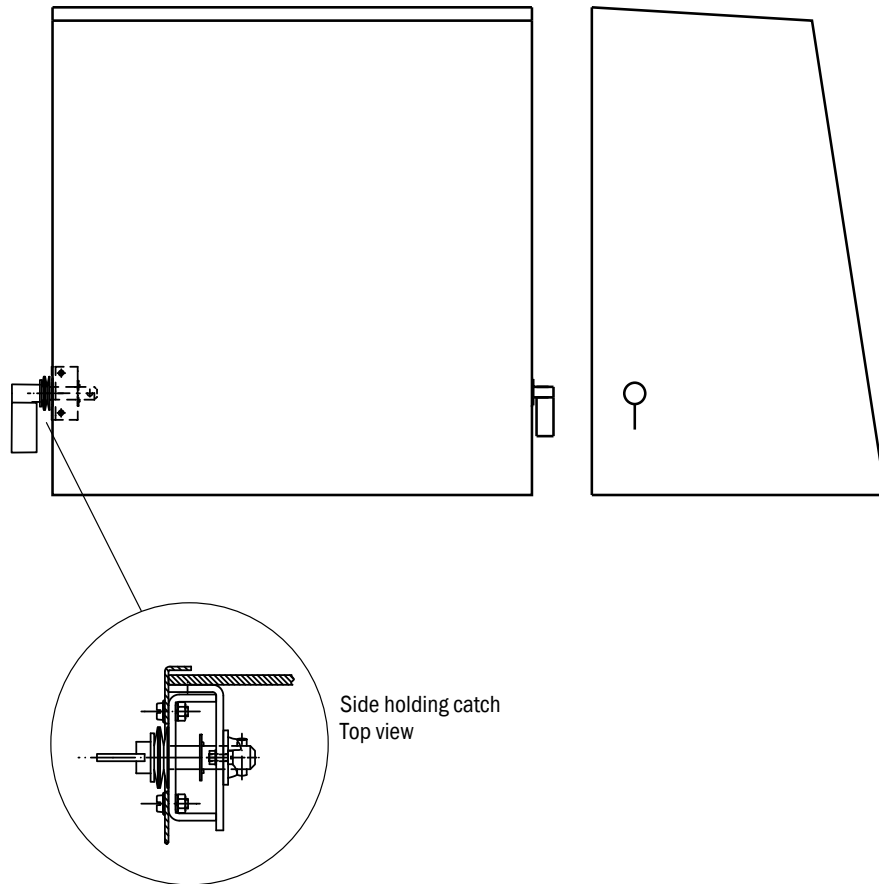
Fig. 3: Installing the purge air unit (drill dimensions) on the assembly plate



Assembling the weatherproof cover (option)

- ▶ The weatherproof cover for the purge air unit is available as an accessory. It comprises a hood and a locking set. Dimensions [see page 26, Fig. 14](#)
- ▶ Fit the fixing bracket from the locking set onto the base plate with the screws.
- ▶ Put the hood on top and insert, turn and lock the holding catches in the fixing bracket.

Fig. 4: Assembling the weatherproof cover for a purge air unit



4.4 Electrical installation



WARNING: Possible hazards for persons through electrical equipment

The purge air unit is electrical equipment for use in industrial high-voltage plants. This electrical equipment has parts that are dangerous, live and possibly not insulated during installation, start-up and operation.



- ▶ Unauthorized removal of required covers, incorrect usage or operation or inadequate maintenance of system components referred to above can cause severe health or material damage.
- ▶ Only authorized persons (skilled person for electric installation) may work on the electric system.
- ▶ Always read warnings carefully and follow them at all times!
- ▶ During all work on electrical equipment, disconnect such equipment from the power supply, check that the equipment is potential free and make sure that no third person can switch the equipment back on again without authorization.



NOTE: Prerequisites for electrical installation



- Several purge air motors with varying performance and different power connections are available. Before starting installation, check the versions and number of purge air units delivered and adapt circuit planning accordingly!
- Make the power connection locally (VDE 0411/8.8).
- Install and secure a separate main power supply for the purge air unit.
- Install a dedicated power disconnect switch, with a motor circuit breaker when possible, for the purge air unit in the vicinity of the measuring devices (VDE 0411/5.1.2.2.2).
- Position a clearly visible warning sign to secure the switch against unintentional switch-off.
- A protective phase failure switch is recommended for 3-phase motors.

4.4.1 Performance by customer

To be provided by the customer onsite:

- The main power supply (1 or 3-phase depending on project planning)
- Power disconnect switch, a motor circuit breaker when possible

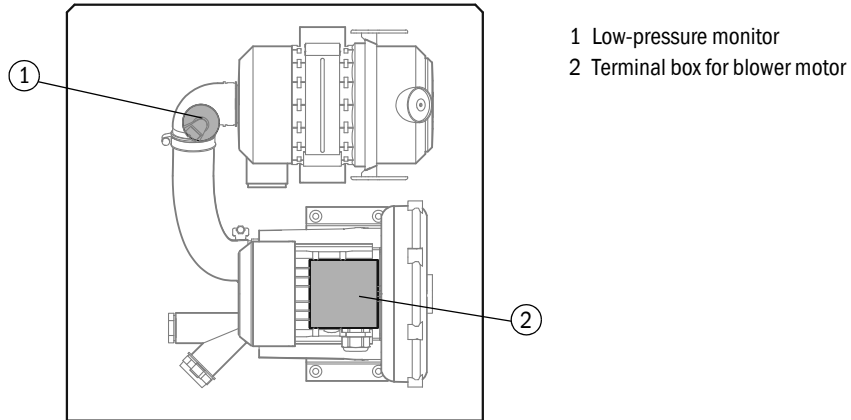
4.4.2 Electric connection



NOTE: Technical data

Technical data for the standard SLV4 purge air unit are shown in [see “Technical data”, page 25.](#)

Fig. 5: Connections on the SLV4 purge air unit



Blower motor connection

Following types of connection are possible depending on the blower type configuration:

- 3-phase blower, star or delta connection, [see “Electrical connections for the 3-phase blower motor”, page 15](#)
- 1-phase blower for 230 V or 115 V voltage supply (depending on version), [see page 15, Fig. 7](#)

- ▶ Check the connection values of the purge air unit delivered match the plant requirements on the type plate (on the blower motor connection box).
- ▶ Connect the supply cable to the terminal box of the purge air motor.
 - ▶ Connect according to the *circuit diagram in the terminal box.*
 - ▶ Connect the protective conductor to the terminal with the protective earth symbol (PE).
 - ▶ Screw the cable gland on so that no moisture, dirt etc. can penetrate the terminal box.



NOTE: Making the electrical connection

- ▶ The electrical connection must be permanently safe.
 - ▶ No wire ends may protrude.
 - ▶ When using connection terminals with clamping brackets, insert the wires so that more or less the same clamping height is maintained on both terminal strips.
- ▶ Switch the power supply on.

Fig. 6: Electrical connections for the 3-phase blower motor

- 1 Terminal box on blower motor
- 2 Delta connection
- 3 Star connection

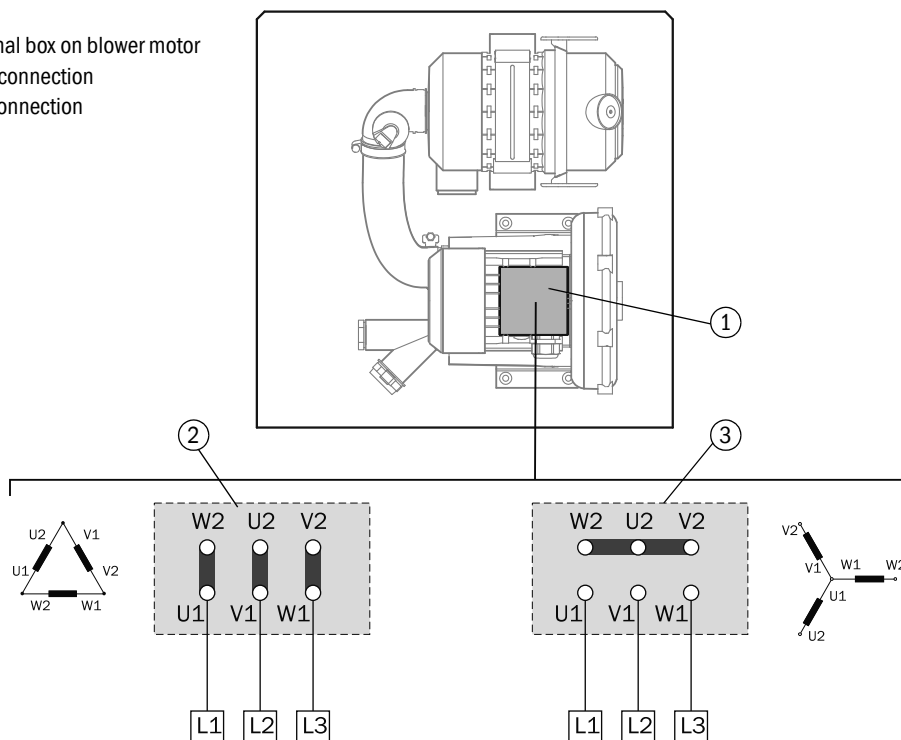
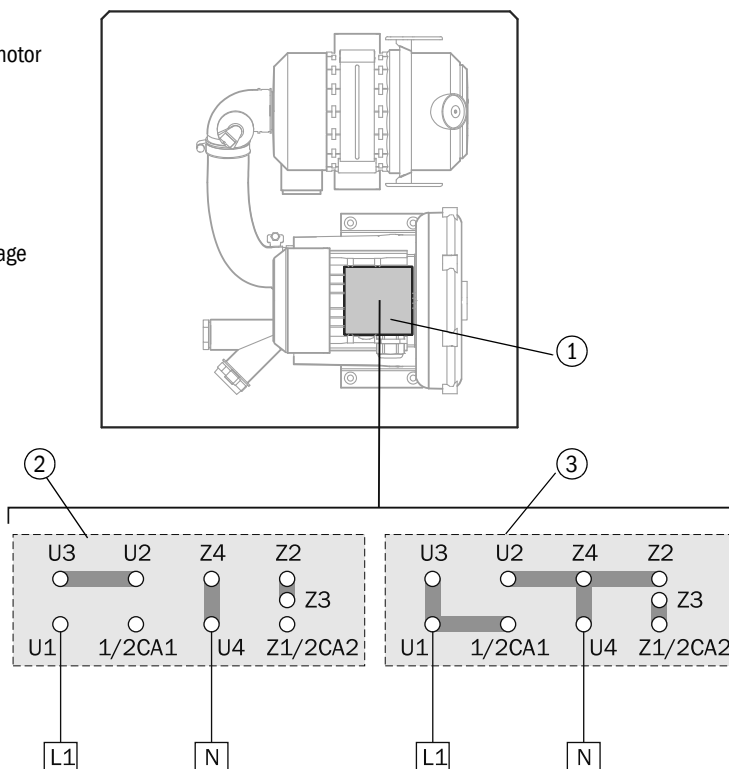


Fig. 7: Electrical connections for 1-phase- blower motor (e.g. 230 V or 115 V)

- 1 Terminal box on blower motor
- 2 230 V supply
- 3 115 V supply

1-phase blower; observe voltage according to type plate!



Checking the motor rotation direction

- ▶ Check the motor rotation direction using:
 - Arrow marking on the motor cover
 - Arrow on the pump housing
- ▶ A strong airstream must flow out of the purge air hose.



WARNING: Possible damage when the blower rotates in the wrong direction

Rotation in the wrong direction suctions sample gas out of the duct when the measuring system is installed. The following damage can incur when this is not prevented quickly:

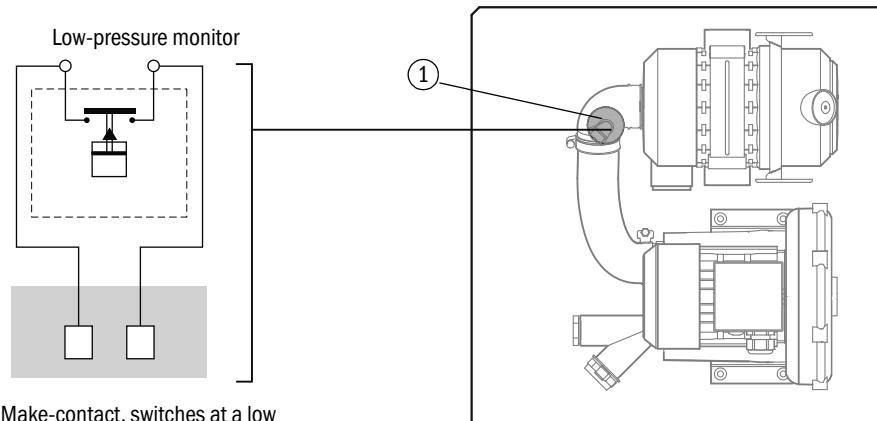


- Contamination and overheating of the measuring system and the purge air unit
- Health risks for persons in the vicinity of the purge air unit (depending on sample gas composition and/or temperature)

- If the rotation direction is wrong:
 - ▶ Switch the power supply off.
 - For a 3-phase connection
 - ▶ Switch two phased wires in the supply line in the terminal box (e.g. between U1 and V1).
 - For a standard 1-phase connection, [see page 15, Fig. 7](#).
 - ▶ Switch the power supply back on.
 - ▶ Make sure the rotation direction is now correct.
- ▶ Adjust the motor circuit breaker (installed onsite) according to the connection values of the purge air blower and check for correct function.

Connecting the low-pressure monitor

Fig. 8: Low-pressure monitor connection



1 Low-pressure monitor

Connect the low-pressure monitor for filter monitoring to the signal line installed onsite.

- ▶ Check the low-pressure monitor function and the connected signal function:
 - Cover the suction opening partially for a short time when the purge air unit is running. Use wide cardboard strips or something similar that cannot be sucked in or contaminate the filter.
- ▶ Switch the purge air unit power supply off until the connected measuring system is put into operation.

For installations outdoors or in unprotected conditions:

- ▶ Protect the opening of the purge air hose against moisture and contamination until the measuring system is put into operation; refit any dummy plugs removed beforehand.
- ▶ Fit the weatherproof cover, [see page 12, Fig. 4](#)

5 Shutdown

5.1 Necessary technical knowledge for shutdown



CAUTION: The connected measuring device is no longer supplied with purge air when the purge air unit is switched off.

- ▶ Make sure that the purge air unit may/can be switched off!
 - ▶ Inform those responsible for the connected measuring device or request permission to switch off.
-

5.2 Switching the purge air unit off

- ▶ Switch the power supply to the purge air unit off.
- ▶ Remove the electrical cable connections (low-pressure monitor, purge air blower) and secure and store the cables properly.
- ▶ Disconnect the purge air hose/hoses and close off the purge air opening(s) on the Y-distributor of the purge air outlet securely with a dummy plug.

5.3 Disposal

- ▶ The device can be easily dismantled into single components which can then be recycled accordingly as raw materials.



The following subassemblies contain substances that may have to be disposed of separately:

- *Electronics*: Condensers, rechargeable batteries, batteries.
-

6 Maintenance

6.1 Necessary technical knowledge for maintenance work



NOTE: Malfunction hazard

Only technicians with special SLV4 training are allowed to perform maintenance tasks on the SLV4.

6.2 Safety instructions for maintenance work



NOTE: Danger of leakage caused by wrong spare parts

► Use original SICK spare parts only.

6.3 Maintenance plan

Maintenance interval ^[1]					Maintenance work	Instructions/Notes
1D	1W	1M	3M	6M		
			<input type="checkbox"/>		► Filter element, Part No. 5306091, exchange	see "Exchanging the filter element (Part No. 5306091)", page 20
			<input type="checkbox"/>		► Check hose and hose clamp	see "Checking the purge air hoses and housing seals", page 21
			<input type="checkbox"/>		► Check blower motor sound	see "Checking blower noises", page 21
			<input type="checkbox"/>		► Check function of filter and pressure difference sensor (option)	see "Checking the low-pressure monitor and flow monitor", page 21

[1] D = day(s), W = week(s), M = month(s)



► Also observe the statutory and works regulations which apply for the individual application.

6.4 Expendable materials per maintenance

Spare parts required	Qty.	Q ^[1]	Y ¹	1.5 y. (18 months)	Part No.
Filter element C11 100	1	x		6	5306091
Cleaning cloth	1				
Scrubber/brush	1				

[1] Quantity per maintenance interval (Q = quarterly, Y = yearly)

6.5 Maintenance work

The main maintenance work on the purge air unit is cleaning the filter housing and exchanging the filter element.



WARNING: Leave the purge air unit in operation!

When a measuring device is connected:

- ▶ Never put the purge air unit out of operation as long as a measuring device is connected via the purge air hoses!

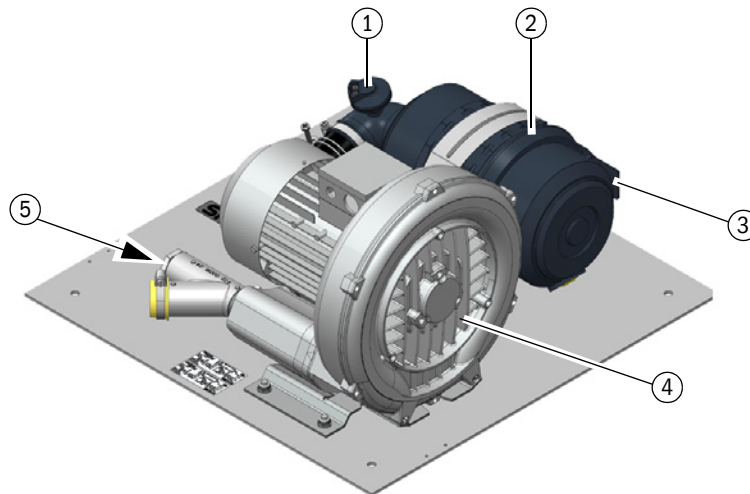
This can lead to contamination and/or damage to the connected measuring device.

6.5.1 Exchanging the filter element (Part No. 5306091)



CAUTION: Do not switch the purge air unit off during maintenance work!

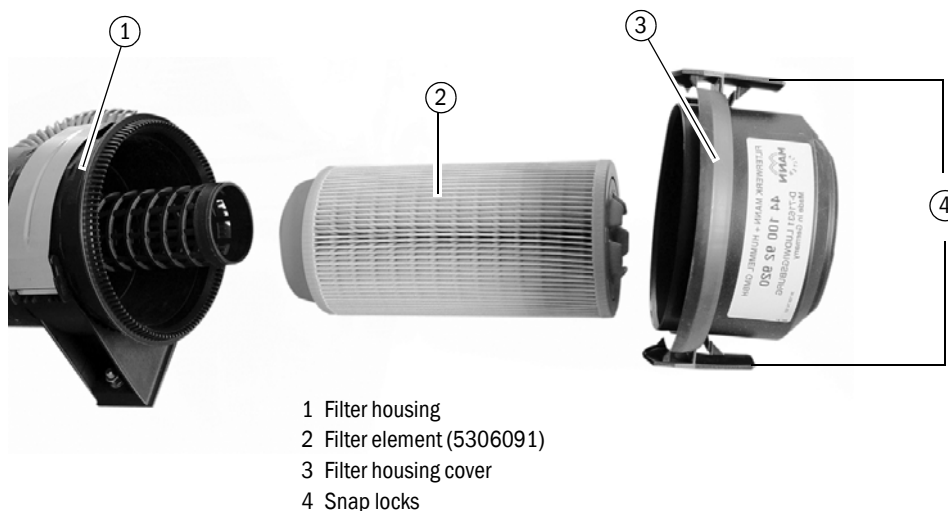
Fig. 9: Device parts on the purge air unit



- 1 Low-pressure monitor
- 2 Air filter
- 3 Snap locks
- 4 Purge air blower
- 5 Purge air hose connection

- ▶ Have the new filter element (5306091) available.
- ▶ Disconnect the hose between purge air blower and filter housing and lay it down so that no very contaminated air can be suctioned in to avoid the possibility of dirt being sucked in when cleaning the filter.
- ▶ Clean the outside of the filter housing thoroughly.

Fig. 10: Exchanging the filter element



- ▶ Press the snap locks on the filter housing cover in slightly to release and then remove the cover
- ▶ Turn the filter element counterclockwise and remove it (in one movement).
- ▶ Clean the filter housing and cover thoroughly with a cleaning cloth and a scrubber/brush.



- ▶ Only use cloths with water for wet cleaning.
- ▶ Then clean and dry thoroughly.

- ▶ Insert the new filter element with slight pressure and turning clockwise into the filter housing (in one movement).
- ▶ Put the filter housing cover back on and make sure it is correctly positioned and aligned
- ▶ Make sure the snap locks have locked in properly.
- ▶ Reconnect the hose between purge air blower and filter housing and make sure the hose clamps are fitted correctly again.

6.5.2 Checking the purge air hoses and housing seals

- ▶ Check the purge air hoses by examining the elasticity and leak tightness.
 - ▶ Replace leaky hoses.
- ▶ Check hose ends on the connection points for leak tightness.
- ▶ Replace defective hose clamps.
- ▶ Examine seals on the housing. Be careful by high temperatures on the purge air fixture.
- ▶ Replace defective seals.

6.5.3 Checking blower noises

- ▶ Check that the purge air blower is running quiet and smooth.
- ▶ Fit a new motor bearing or exchange the purge air unit when bearing damage causes noises or when grinding noises can be heard.

6.5.4 Checking the low-pressure monitor and flow monitor

- ▶ Check the function of the low-pressure monitor on the filter of the purge air unit.
 - ▶ The low-pressure monitor must trigger when the intake connection of the filter is closed off for a short time.
- ▶ If fitted, check the flow monitor (pressure difference sensor) on the connection of the purge air fixture of the connected measuring device.
- ▶ The flow monitor must trigger when the purge air feed is interrupted for a short time.
- ▶ Exchange the monitor when defective.

6.6 Spare parts

Spare parts		Part No.
Purge air hose, standard	DN40	5304683
Hose clamp	D40, 60 x 12 mm	5700520
Air filter	Complete with filter element	5306090
Filter element	C11100	5306091
Cover cap	For purge air outlet	5304978
Weatherproof cover	To protect purge air unit against the weather	5306108
Distributor	2 x Ø40 mm	4708971
Low-pressure monitor	-35 hPa; contact: Make-contact	6011194
Pressure difference sensor (option)	For fitting on the purge air fixture flange	2017809

7 Clearing malfunctions

If the SLV4 does not work at all ...

Possible cause	Information
Power cable not connected.	▶ Check power cable and connections.
Motor circuit breaker (if installed) is switched off.	▶ Check the motor circuit breaker; exchange when necessary.
Main power powersupply has failed.	▶ Check main power supply (e.g. socket, external fuses).
Purge air blower has failed	▶ Exchange the purge air unit as quickly as possible.

8 Licenses and specifications

8.1 Conformities and Approvals



The technical design of this device complies with the following EU directives and EN standards:

- EC Directive: 2014/35/EC (Low Voltage Directive)
- EC Directive: 2014/30/EC (Low Voltage Directive)

Applied EN standards:

- EN 61000-6-4: Electromagnetic compatibility (EMC) - Part 6-4: Generic standards - Emission standard for industrial environments
- EN 61010-1: Safety requirements for electrical equipment for measurement, control, and laboratory use
- EN 61326, Electrical equipment for measurement, control and laboratory use - EMC requirements
- EN 1012-1, Compressors and vacuum pumps, safety requirements: Part 1: Air compressors
- EN 1012-2, Compressors and vacuum pumps, safety requirements: Part 2: Vacuum pumps
- EN 60034, Rotating electrical machines
- EN 82079-1: Preparation of instructions for use - Structuring, content and presentation - Part 1: General principles and detailed requirements

8.1.1 Electrical protection

- Insulation: Protection class 1 according to EN 61010-1.
- Insulation coordination: Measuring category II according to EN 61010-1.
- Contamination: The device operates safely in an environment up to contamination level 2 according to EN 61010-1 (usual, non-conductive contamination and temporary conductivity by occasional moisture condensation).
- Electrical energy: The wiring system to the power voltage supply of the system must be installed and fused according to the relevant regulations.

8.2 Technical data

8.2.1 Dimensions

Fig. 11: Purge Air Unit dimensions – Type 2BH1300

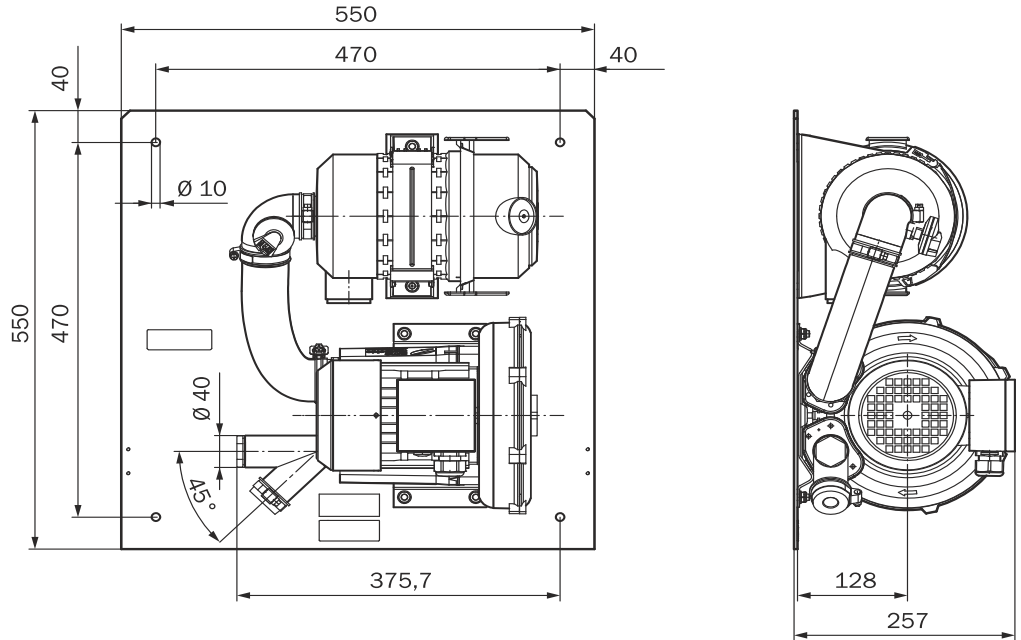


Fig. 12: Purge Air Unit dimensions – Type 2BH1400

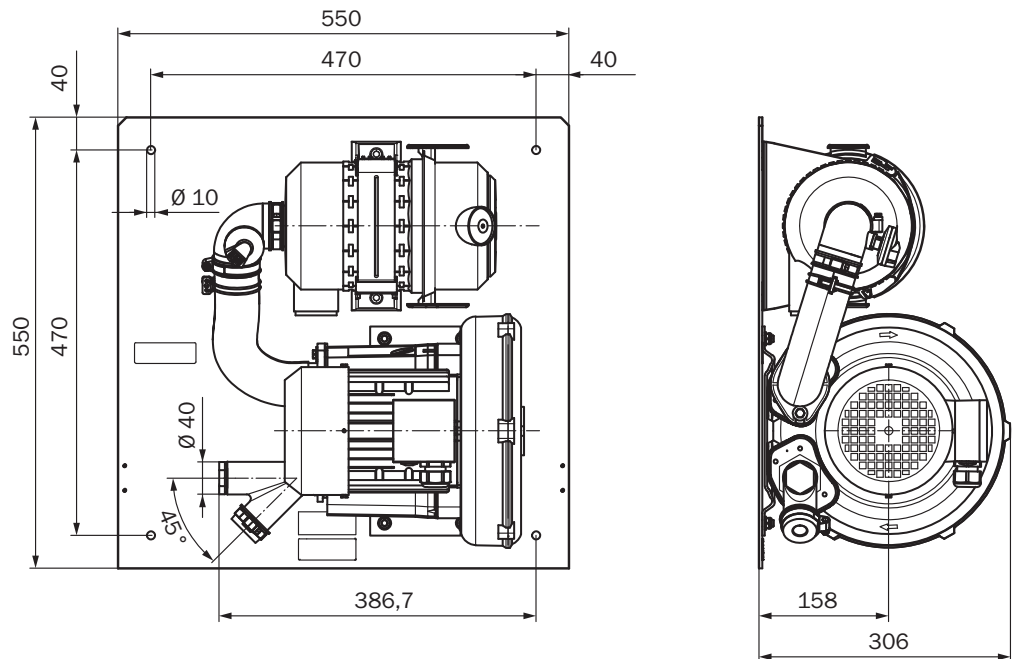


Fig. 13: Purge Air Unit dimensions –Type 2BH1500

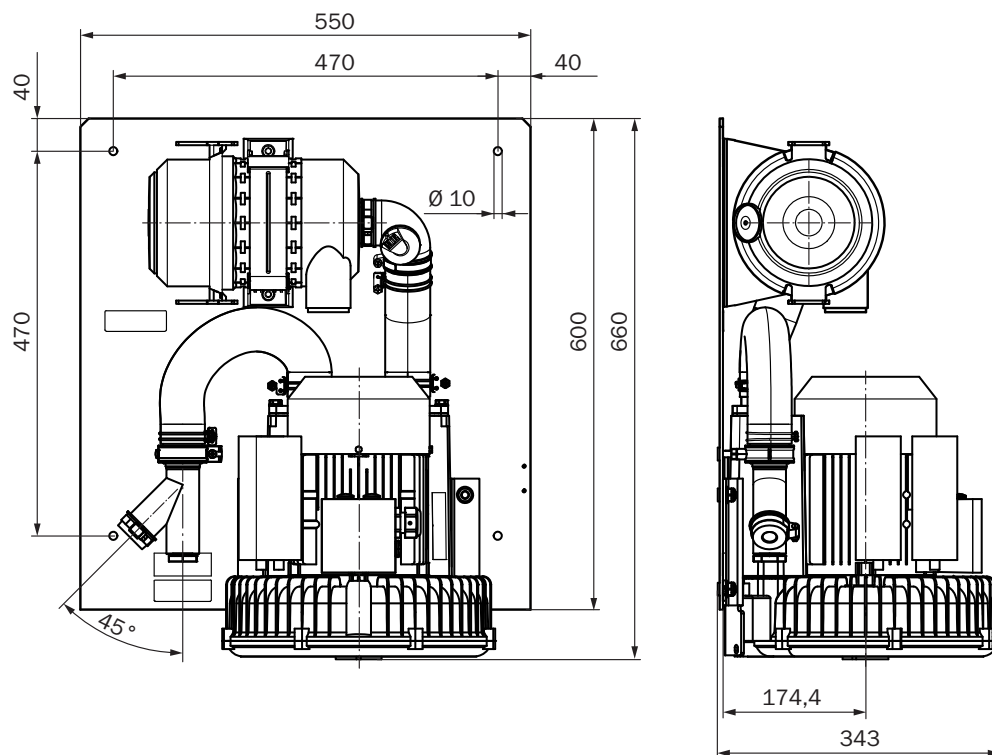
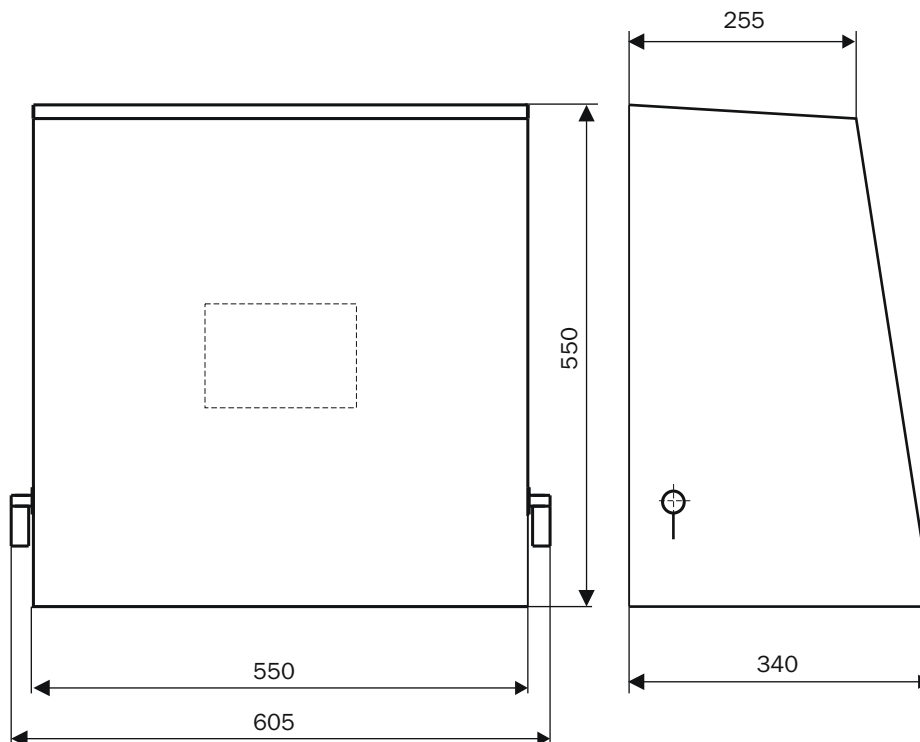


Fig. 14: Weatherproof cover dimensions for SLV4 purge air unit SLV4



8.2.2 Operating data



NOTE: Data of standard versions
The type plate data are principally valid.

8.2.2.1 Type 2BH1300

Electrical installation		
Type 2BH1300, 3-ph (Δ; Y)	50 Hz	60 Hz
Purge Air Unit Part. No,	1012409 with 10 m purge air hose	
Voltage supply:	Δ: 200 ... 240 V; Y: 345 ... 415 V	Δ: 220 ... 275 V; Y: 380 ... 480 V
Rated current:	Δ: 2,6 A; Y:1,5 A	Δ: 2,6 A; Y:1,5 A
Rated output (motor):	0.4 kW	0.5 kW
Type 2BH1300, 1-ph, 230 V / 115 V	50 Hz	60 Hz
Purge Air Unit Part. No,	1022866 with 10 m purge air hose	
Voltage supply:	230 V / 115 V	230 V / 115 V
Rated current:	2.7 A	3.0 A
Rated output (motor):	0.37 kW	0.45 kW
Type 2BH1300, 3-ph (Δ; Y)	50 Hz	60 Hz
Purge Air Unit Part. No,	1023638 with 10 m purge air hose	
Voltage supply:	Δ: 220 ... 270 V; Y: 380 ... 465 V	Δ: 240 ... 290 V; Y: 415 ... 500 V
Rated current:	Δ: 2.5 A; Y:1.45 A	Δ: 2.6 A; Y:1.55 A
Rated output (motor):	0.4 kW	0.5 kW
Type 2BH1300, 3-ph (Δ; Y)	50 Hz	60 Hz
Purge Air Unit Part. No,	1013043 with 10 m purge air hose	
Voltage supply:	Δ: 270 ... 330 V; Y: 465 ... 570 V	Δ: 290 ... 360 V; Y: 500 ... 600 V
Rated current:	Δ: 2.0 A; Y:1.16 A	Δ: 2.1 A; Y:1.26 A
Rated output (motor):	0.4 kW	0.5 kW
Type 2BH1300, 3-ph (Δ; Y)	50 Hz	60 Hz
Purge Air Unit Part. No,	1073403 with 10 m purge air hose	
Voltage supply:	Δ: 200 ... 240 V; Y: 345 ... 415 V	Δ: 220 ... 275 V; Y: 380 ... 480 V
Rated current:	Δ: 2,6 A; Y:1,5 A	Δ: 2,6 A; Y:1,5 A
Rated output (motor):	0.4 kW	0.5 kW

8.2.2.2 Type 2BH1400

Electrical installation		
Type 2BH1400, 3-ph (Δ; Y)	50 Hz	60 Hz
Purge Air Unit Part. No,	1013461 with 10 m purge air hose	
Voltage supply:	Δ: 200 ... 240 V; Y: 345 ... 415 V	Δ: 220 ... 275 V; Y: 380 ... 480 V
Rated current:	Δ: 5.7 A; Y:3.2 A	Δ: 5.7 A; Y:3.3 A
Rated output (motor):	1.3 kW	1.5 kW
Type 2BH1400, 3-ph (Δ; Y)	50 Hz	60 Hz
Purge Air Unit Part. No,	1013051 with 10 m purge air hose	
Voltage supply:	Δ: 270 ...330 V; Y: 465 ...570 V	Δ: 290 ... 360 V; Y: 500 ... 600 V
Rated current:	Δ: 4.75 A; Y:2.75 A	Δ: 5.1 A; Y:2.95 A
Rated output (motor):	1.3 kW	1.5 kW
Type 2BH1400, 1-ph, 230 V / 115 V	50 Hz	60 Hz
Purge Air Unit Part. No,	1016855 with 10 m hose	
Voltage supply:	230 V / 115 V	230 V / 115 V
Rated current:	6.5 A (230 V) 13 A (115 V)	7.0 A (230 V) 14 A (115 V)
Rated output (motor):	1.1 kW	1.3 kW

8.2.2.3 Type 2BH1500

Electrical installation		
Type 2BH1500, 3-ph (Δ; Y)	50 Hz	60 Hz
Purge Air Unit Part. No,	1022093 with 10 m hose	
Voltage supply:	Δ: 220 ... 240 V; Y: 345 ... 415 V	Δ: 220 ... 275 V; Y: 380 ... 480 V
Rated current:	Δ: 9.7 A; Y:5.6 A	Δ: 10.3 A; Y:6.0 A
Rated output (motor):	2.2 kW	2.55 kW
Type 2BH1500, 3-ph (Δ; Y)	50 Hz	60 Hz
Purge Air Unit Part. No,	1022313 with 10 m hose	
Voltage supply:	Δ: 500 V	Δ: 575 V
Rated current:	Δ: 4,5 A	Δ: 4,55 A
Rated output (motor):	2.2 kW	2.55 kW
Type 2BH1500, 1-ph, 230 V / 115 V	50 Hz	60 Hz
Purge Air Unit Part. No,	1050248 with 10 m hose	
Voltage supply:	230 V / 115 V	230 V / 115 V
Rated current:	Δ: 22.0 A; Y:11.0 A	Δ: 24.0 A; Y:12.0 A
Rated output (motor):	1.5 kW	1.75 kW

8.2.2.4 Device features

Device features	Type 2BH1300	Type 2BH1400	Type 2BH1500
Delivery volume: With 30 hPa counterpressure and low-pressure filter: <ul style="list-style-type: none"> • -7 mbar (new filter) • -30 mbar • -50 mbar 	<ul style="list-style-type: none"> • 63 m³/h • 48 m³/h • 38 m³/h 	<ul style="list-style-type: none"> • 125 m³/h • 105 m³/h • 86 m³/h 	<ul style="list-style-type: none"> • 196 m³/h • 160 m³/h • 143 m³/h
Temperature:	-40 °C to +55 °C average ambient/suction temperature (1073403) -20 °C to +55 °C average ambient/suction temperature (all other devices)		
Maintenance switch: (Low-pressure monitor)	Type 6011194: Switching point: -35 mbar		
Hose connections:	Air connection Ø40 mm, purge air connection, double		
Air filter:	Type Europiclon, two-phase air filter Filter capacity: 60 to 180 m ³ /h Dust capacity: 200 g		
Weight:	18 kg	25 kg	34 kg
Degree of protection:	IP55		

9 Index

A

Assembly 11

B

Base 11

Base plate

- Purge Air Unit 11

Blower type

- 2BH 1400 for overpressure 10

C

Cable conduit 10

Check 21

Circuit planning

- Purge Air Unit 13

Clearing Malfunctions 23

Cloths

- Purge Air Unit, cleaning 21

Compliance 24

connection 21

Connection hose

- Length 10

Connection points

- Purge air hoses

- Check 21

D

Declaration of Conformity 24

Dimensions 25, 27 - 29

Disposal 18

E

Elasticity 21

Examine 21

F

Filter

- Purge Air Unit

- Low-pressure monitor, checking 21

Flow monitor 21

- Check 21

G

Grinding noise 21

H

Hose 21

Hose clamp 11

Hose ends

- Close off 11

Housing seals

- Check 21

I

Initial start-up 18

Installation

- Assembly 11

- Installation location, preparing 10

- Project Planning 10

- Purge Air Unit 11

Installation location

- Purge Air Unit 10

Intake 10, 21

L

Leak 21

Locking set 11

- Weatherproof cover 11

Low 14

Low-pressure monitor

- Check 21

M

Maintenance 19

- Maintenance intervals 19

- Maintenance plan 19

- Maintenance work 20

- Necessary technical knowledge 19

- Safety information 19

Maintenance work 20

Malfunction messages

- Possible malfunction message 24

- Possible malfunction messages 24

Measures during first start-up 18

Motor circuit breaker

- Purge Air Unit 13

O

Operating data 27 - 29

Overpressure 10

P

Power connection

- Connection unit 13

Power disconnecter switch

- Purge Air Unit 13

Preparation of installation location 10

Pressure 21

Product description 9

Product features 9

Project Planning 10

Protective phase failure switch 13

Purge air blower 11

Purge air feed

- Flow monitor, checking 21

Purge air fixture 21

Purge air hose 11, 21

Purge air hoses

- Check 21

Purge Air Unit 11

- Blower type, selecting 10

- Duct, installation on 11

- Installation 11

- Installation location 10

- Low-pressure monitor, checking 21

- Motor circuit breaker 13

- Power disconnecter switch 13

- Weatherproof cover 11

S

Scope of delivery	10
Seals	
- Replace	21
Securing the device	18
Shutdown	18
- Necessary technical knowledge	18
- Switch-off procedure	18
Spare parts	22
Special features	10
Specifications	24
Standards	
- VDE 0411/5.1.2.2.2	13
- VDE 0411/8.8	13
Start-up	18
- Measures during first start-up	18
Suction connection	21
Switch-off procedure	18

T

Technical data	25
The	10
Three-phase motors	13

V

VDE 0411/5.1.2.2.2	13
VDE 0411/8.8	13

W

Warning label	
- Against unintentional switch-off on purge air unit	13
Weatherproof cover	
- Purge Air Unit	11

Y

Y-piece	11
---------------	----

Australia

Phone +61 3 9457 0600
1800 334 802 – tollfree
E-Mail sales@sick.com.au

Austria

Phone +43 22 36 62 28 8-0
E-Mail office@sick.at

Belgium/Luxembourg

Phone +32 2 466 55 66
E-Mail info@sick.be

Brazil

Phone +55 11 3215-4900
E-Mail marketing@sick.com.br

Canada

Phone +1 905 771 14 44
E-Mail information@sick.com

Czech Republic

Phone +420 2 57 91 18 50
E-Mail sick@sick.cz

Chile

Phone +56 2 2274 7430
E-Mail info@schadler.com

China

Phone +86 20 2882 3600
E-Mail info.china@sick.net.cn

Denmark

Phone +45 45 82 64 00
E-Mail sick@sick.dk

Finland

Phone +358-9-2515 800
E-Mail sick@sick.fi

France

Phone +33 1 64 62 35 00
E-Mail info@sick.fr

Germany

Phone +49 211 5301-301
E-Mail info@sick.de

Hong Kong

Phone +852 2153 6300
E-Mail ghk@sick.com.hk

Hungary

Phone +36 1 371 2680
E-Mail office@sick.hu

India

Phone +91 22 6119 8900
E-Mail info@sick-india.com

Israel

Phone +972 4 6881000
E-Mail info@sick-sensors.com

Italy

Phone +39 02 274341
E-Mail info@sick.it

Japan

Phone +81 3 5309 2112
E-Mail support@sick.jp

Malaysia

Phone +6 03 8080 7425
E-Mail enquiry.my@sick.com

Mexico

Phone +52 (472) 748 9451
E-Mail mario.garcia@sick.com

Netherlands

Phone +31 30 2044 000
E-Mail info@sick.nl

New Zealand

Phone +64 9 415 0459
0800 222 278 – tollfree
E-Mail sales@sick.co.nz

Norway

Phone +47 67 81 50 00
E-Mail sick@sick.no

Poland

Phone +48 22 539 41 00
E-Mail info@sick.pl

Romania

Phone +40 356 171 120
E-Mail office@sick.ro

Russia

Phone +7 495 775 05 30
E-Mail info@sick.ru

Singapore

Phone +65 6744 3732
E-Mail sales.gsg@sick.com

Slovakia

Phone +421 482 901201
E-Mail mail@sick-sk.sk

Slovenia

Phone +386 591 788 49
E-Mail office@sick.si

South Africa

Phone +27 11 472 3733
E-Mail info@sickautomation.co.za

South Korea

Phone +82 2 786 6321
E-Mail info@sickkorea.net

Spain

Phone +34 93 480 31 00
E-Mail info@sick.es

Sweden

Phone +46 10 110 10 00
E-Mail info@sick.se

Switzerland

Phone +41 41 619 29 39
E-Mail contact@sick.ch

Taiwan

Phone +886 2 2375-6288
E-Mail sales@sick.com.tw

Thailand

Phone +66 2645 0009
E-Mail Ronnie.Lim@sick.com

Turkey

Phone +90 216 528 50 00
E-Mail info@sick.com.tr

United Arab Emirates

Phone +971 4 88 65 878
E-Mail info@sick.ae

United Kingdom

Phone +44 1727 831121
E-Mail info@sick.co.uk

USA

Phone +1 800 325 7425
E-Mail info@sick.com

Vietnam

Phone +84 945452999
E-Mail Ngo.Duy.Linh@sick.com

Further locations at www.sick.com