

SERVICEMAN'S TEST GAUGE

- Recalibrator and Restrictor Standard
- Heavy Duty Brass Case
- Clam Shell Packaging Optional

Marsh Instruments Deluxe Serviceman's Test Gauge is designed to assure the modern serviceman the best possible gauge for testing refrigeration equipment. Corresponding, easy-to-read temperature scales are printed in red on the inner arcs of the dial face.

Typical applications include testing, servicing and recharging AC and R systems.

SPECIFICATIONS

ACCURACY

ASME Grade B - $\pm 3/2/3\%$ ($\pm 2\%$ of range across middle half of scale)

CASE SIZE

2 1/2" diameter

CASE MATERIAL

Polished brass

CASE STYLE

LM - Lower Mount

TUBE & SOCKET

Copper Alloy

MOVEMENT

Brass with recalibrator

CONNECTION

1/8" NPT with Restrictor Standard

RANGES

0-500 psi, 30" Hg VAC to 120 psi retarded to 350 psi

DIAL STANDARD

psi with corresponding temperature scales

DIAL COLOR

Black markings on white with red or blue temperature scales

POINTER

Aluminum, black painted

WINDOW

Beveled glass

RECALIBRATOR

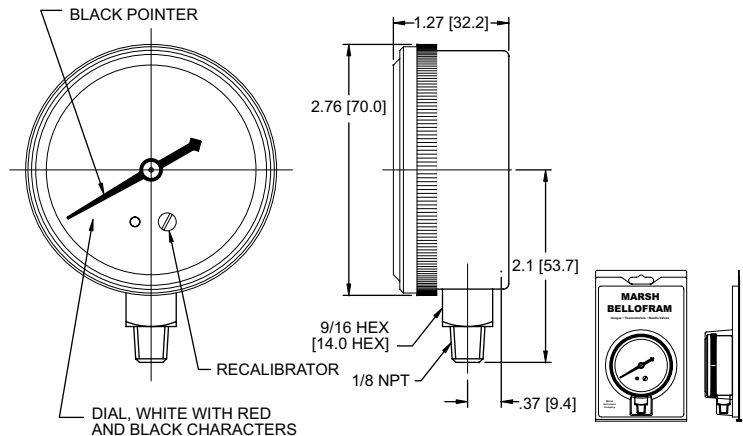
Standard

WEIGHT

5 lb.

STANDARD RANGES & PART NUMBERS

TYPE		SERVICEMAN'S TEST GAUGES		
Size	2 1/2"			
Case Material	Brass			
Internals	Copper Alloy			
Mounting/Case Style	LM			
Connection	1/8" NPT			
Scale Standard	psi & temperature (°F)			
30" X 350 psi	W0070	R-12, 22, 502	Carton	
30" X 350 psi	W0070Q	R-12, 22, 502	Clam Shell	
0 to 500 psi	W0072	R-12, 22, 502	Carton	
0 to 500 psi	W0072Q	R-12, 22, 502	Clam Shell	
Set of (2) W0070 & W0072	W0074	R-12, 22, 502	Carton Only	
30" X 350 psi	W8070	R-134a, 404A, 507	Carton	
30" X 350 psi	W8070Q	R-134a, 404A, 507	Clam Shell	
0 to 500 psi	W8072	R-134a, 404A, 507	Carton	
0 to 500 psi	W8072Q	R-134a, 404A, 507	Clam Shell	
30" x 500 psi	W8115	R-22, 407C, 410A	Carton	
30" x 500 psi	W8115Q	R-22, 407C, 410A	Clam Shell	
0 to 800 psi	W8127	R-22, 407C, 410A	Carton	
0 to 800 psi	W8127Q	R-22, 407C, 410A	Clam Shell	



ALL DIMENSIONS ARE NOMINAL

