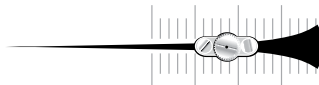


Diaphragm Seals



MODEL 12000 MINI SERVICEABLE RUBBER DIAPHRAGM SEAL

The Model 12000 Serviceable Mini Diaphragm Seal is designed for gauges and instruments with operating pressures of 2500 psi with stainless and 500 psi with PVC models. Ideally suited for small applications and corrosive installations. The optional 'Easy Clean Out' feature allows the removal of the process side housing without losing the instrument side fill fluid. Fill / bleed screw port in the instrument side housing, and stainless steel build screws are standard.

FILLED & CALIBRATED TO GAUGES ONLY.

Diaphragm seals are isolation devices which separate pressure gauges and other instruments from the process media while allowing the instrument to measure the process pressure. The service life of the instrument is greatly extended, because it is protected from corrosion, clogging, freezing, or pulsation.

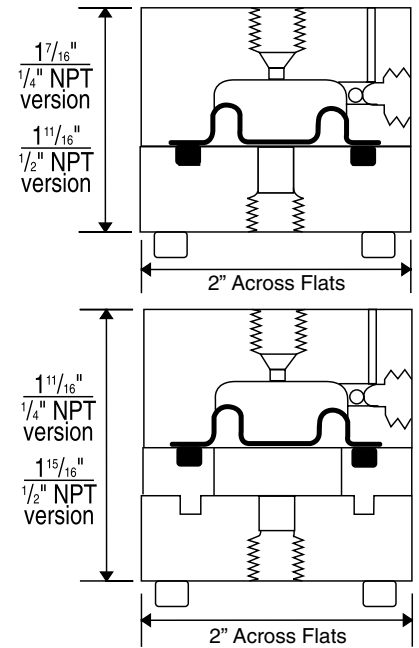
LIQUID FILLINGS

The selection of the fill depends on the temperature expected in any given application. Temperature ratings for available fillings are listed below.

Glycerine	0 to 400°F
Silicone	-40 to 600°F
Syltherm	-40 to 750°F



12000					
UPPER 316SS					
1/4"	22				
1/2"	24				
PVC (Only with PVC lower)					
1/4"	52				
1/2"	54				
LOWER 316SS					
1/4"	22				
1/2"	24				
PVC					
1/4"	52				
1/2"	54				
DIAPHRAGM					
Nitrile	3				
Fluorocarbon	4				
Neoprene	5				
EASY CLEAN OUT					
None	0				
Clean Out	2				
FILL					
No Fill	0				
Glycerine	G				
Silicone	S				
Syltherm	Y				

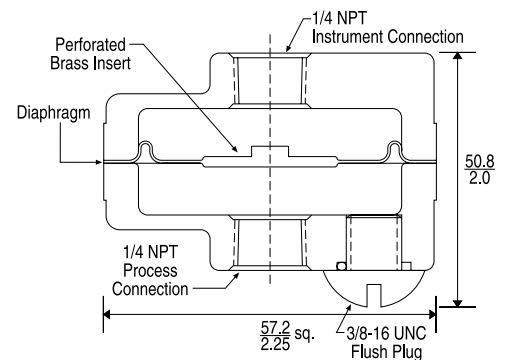


MODEL B8498 GAUGE PROTECTOR WITH RUBBER DIAPHRAGM SEAL

The Model B8498 Gauge Protector is designed for extremely high volume displacement. Ideally suited for gauges and instruments with operating pressures up to 200 psi and vacuum applications. Available in 1/4" threaded connections and chrome plated zinc construction. A 3/8" flush plug is standard in the process side housing.

FILLED & CALIBRATED TO GAUGES ONLY.

B8498			
ASSEMBLY			
1/4"	22		
DIAPHRAGM			
Nitrile	3		
Fluorocarbon	4		
Neoprene	5		
FILL			
No Fill	0		
Glycerine	G		
Silicone	S		
Syltherm	Y		



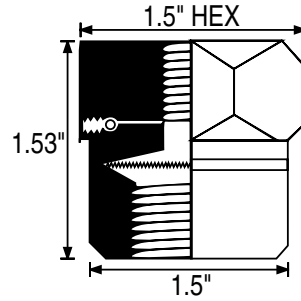
ALL DIMENSIONS ARE NOMINAL



Diaphragm Seals

13000

UPPER 316SS	
1/4"	22
LOWER 316SS	
1/4"	22
1/2"	24
Hastelloy	
1/4"	42
1/2"	44
DIAPHRAGM	
316SS	1
Hastelloy C	2
FILL	
No Fill	0
Glycerine	G
Silicone	S
Syltherm	Y

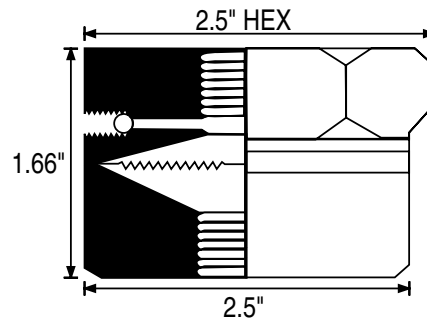


MODEL 13000 MINI / ALL WELDED DIAPHRAGM SEAL

The Model 13000 Mini Welded Seal is designed for 2" to 3 1/2" bourdon tube gauges with a minimum range of 0-100 psi. The maximum operating pressure is 2000 psi at 100° F. Available in all 316 SS or Hastelloy C process housing and diaphragm. FILLED & CALIBRATED TO GAUGES ONLY.

13040

UPPER 316SS	
1/4"	22
1/2"	24
LOWER 316SS	
1/4"	22
1/2"	24
3/4"	26
1"	28
Hastelloy	
1/4"	42
1/2"	44
3/4"	46
1"	48
DIAPHRAGM	
316SS	1
Hastelloy C	2
FLUSH CONNECTION	
None	0
1/4"	2
FILL	
No Fill	0
Glycerine	G
Silicone	S
Syltherm	Y



MODEL 13040 ALL WELDED DIAPHRAGM SEAL

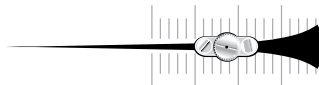
The Model 13040 All Welded Seal is designed for 2" to 4 1/2" bourdon tube gauges with pressure ranges from vacuum to 1000 psi. Available in all 316SS or Hastelloy C process housing and diaphragm, with threaded connections. Optional flushing connections also available.

FILLED & CALIBRATED TO GAUGES ONLY.

ALL DIMENSIONS ARE NOMINAL

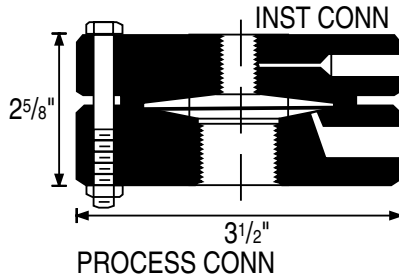


Diaphragm Seals



MODEL 14040 WELDED DIAPHRAGM SEAL

The Model 14040 Welded Diaphragm Seal is a welded diaphragm-to-upper design allowing the upper housing to be removed with the instrument in place without losing fill. The same interlocking feature as the 14000 is used to assure alignment of the upper to the lower. Available in threaded connections for pressures from vacuum to 2500 psi. Fill/bleed port screw in the upper is standard and an optional flush connection is available. FILLED & CALIBRATED TO GAUGES ONLY



ALL DIMENSIONS ARE NOMINAL

14040						
UPPER						
Steel						
1/4"	12					
1/2"	14					
316SS						
1/4"	22					
1/2"	24					
LOWER						
Steel						
1/4"	12					
1/2"	14					
3/4"	16					
1"	18					
316SS						
1/4"	22					
1/2"	24					
3/4"	26					
1"	28					
DIAPHRAGM						
316SS	1					
Hastelloy C	2					
Tantalum	3					
FLUSH CONNECTION						
None	0					
1/4"	2					
BOLTS & NUTS						
Steel	0					
Stainless	1					
FILL						
No Fill	0					
Glycerine	G					
Silicone	S					
Syltherm	Y					

