

# FLOWSIC600

CUSTODY TRANSFER GAS FLOW MEASUREMENT  
AND PROCESS MONITORING

Gas flow meters

**SICK**  
Sensor Intelligence.

## INVESTING IN A HIGH-QUALITY METER SAVES MONEY

Every day natural gas flows in great quantities through pipelines or into storage facilities, thus changing owners. Precise gas quantity measurement is of the utmost importance, as even very small measurement errors could result in substantial economic loss. In addition, challenging ambient measurement conditions often play a decisive role. Moisture, ice, cold, heat and desert sand place great demands on the instruments in the field. This is why a gas flow meter is needed that is both accurate and reliable.

The FLOWSIC600 gas flow meter from SICK achieves both of these goals. It is ideal for both natural gas custody transfer and the highly precise measurement of process gases in the chemical industry.



Natural gas pipeline in Bawu-Changnan using FLOWSIC600

**Highly Durable**

The FLOWSIC600 compact gas flow meter hermetically shields all of its measurement equipment from the environment. The use of internal cable routing prevents harsh climate conditions and contamination from harming the device. The FLOWSIC600 is virtually maintenance-free.

**High Measurement Accuracy**

The FLOWSIC600 measures gas flow using ultrasonic technology. The arrangement of the ultrasonic sensors in the measurement device (path layout) matches its performance parameters perfectly. With the FLOWSIC600, SICK developed ultrasonic sensors designed for maximum immunity to noise.

**Maximum Reliability**

The FLOWSIC600 uses ultrasonic measurement and operates without mechanically moving parts making it largely resistant to contamination and wear. The result is maximum measurement reliability even under adverse measurement conditions.

**Excellent System Integration**

The FLOWSIC600 is available for nominal pipe sizes from DN80 to DN1200 for custody transfer applications, and as small as DN50 for process applications. Easy connection to flow computers allows straightforward integration into any measurement station. SICK also provides inlet and outlet sections, flow computers, and pressure and temperature transmitters.

**Worldwide Approvals**

The FLOWSIC600 conforms to all relevant natural gas guidelines and has worldwide approval.

**Low Power Consumption**

SICK ultrasonic sensors combine high performance with low power consumption. Due to low power consumption, it is possible to use a stand-alone power supply, such as a solar module.

The FLOWSIC600 is available in four types

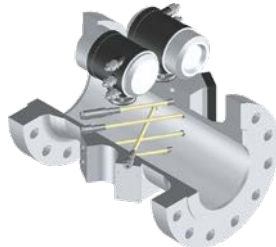
Ideal for custody transfer applications



FLWSIC600, 4-path

- The standard design is equipped with a fourpath system in which the measured values of the individual sensor pairs are averaged.

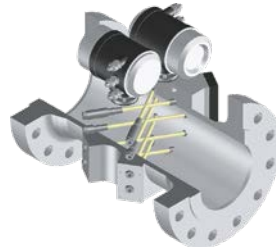
Ideal for applications having additional monitoring



FLWSIC600 2plex

- The 2plex design provides enhanced diagnostics, combining a custody transfer meter with a check meter.

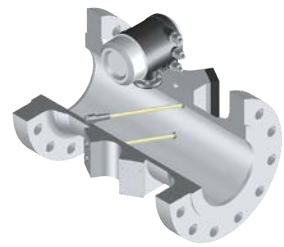
Ideal for fully redundant measurements



FLWSIC600 Quatro

- The FLOWSIC600 Quatro provides a redundant solution, integrating two meters into one meter body while retaining the same overall length.

Ideal for process gas measurement and internal billing



FLWSIC600, 2-path

- A reliable two-path design provides adequate measurement accuracy in both custody and non-custody applications.

## EXCELLENT MEASUREMENT TECHNOLOGY IN AN OUTSTANDING MEASUREMENT DEVICE

The FLOWSIC600 is a top-quality measurement device. It features a robust meter body incorporating measurement equipment, performs measurement with high noise immunity and long-term stability, and is nearly maintenance-free.

### Ultrasonic Sensors from SICK

The FLOWSIC600 is equipped with high-performance ultrasonic sensors developed by SICK. A hermetically sealed titanium housing contains ultrasonic transducers that operate at a selectable ultrasonic frequency of 80 kHz, 135 kHz, 200 kHz, or 300 kHz to match the operating conditions.

The sensors can also be deployed at very high or very low temperatures (from  $-194\text{ }^{\circ}\text{C}$  to  $+280\text{ }^{\circ}\text{C}$ ), at high pressures (up to 450 barg), under corrosive conditions, and with heavy background noise. They exhibit unrivaled reliability in sound-absorbing gases that are high in carbon dioxide.

The FLOWSIC600 features an efficient transducer for performing measurements at atmospheric pressure, allowing calibration using air.

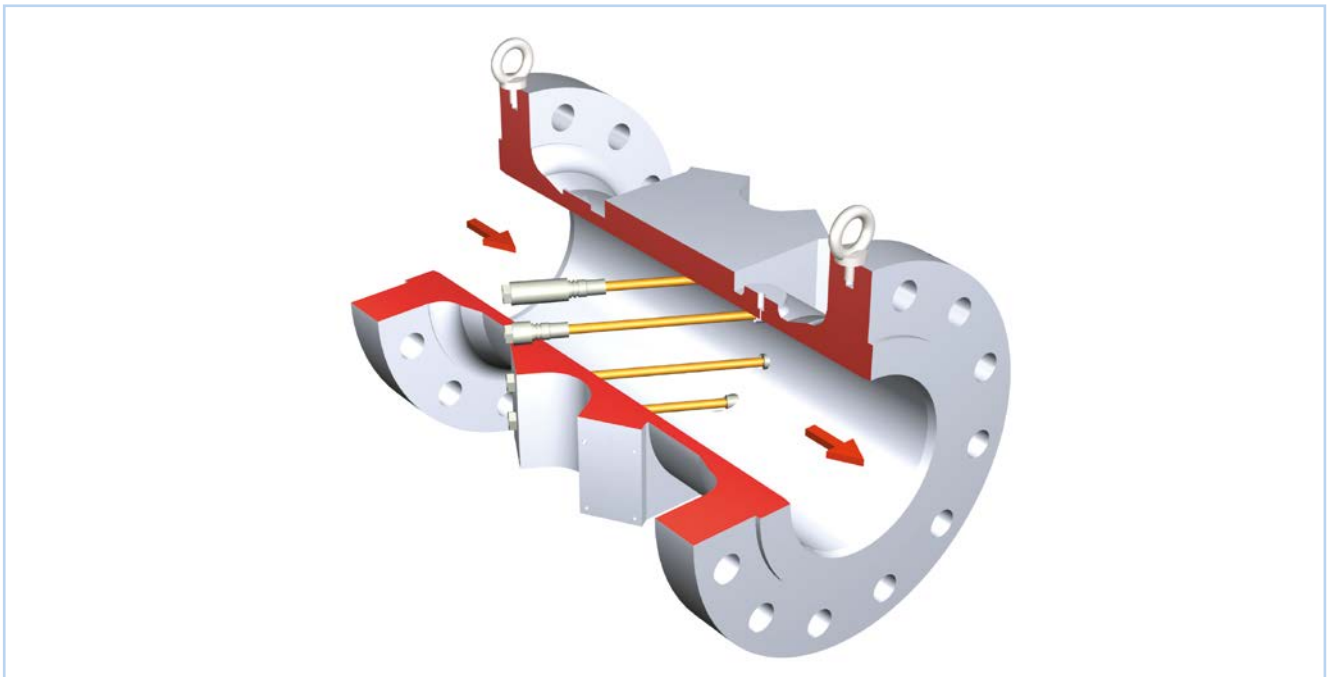


Sensor

### Direct Path Layout

The transit time difference principle is used for performing ultrasonic gas flow measurement. This measurement principle uses ultrasonic transit time to determine the gas flow rate. The direct path layout minimizes the influence of turbulence, contamination, moisture, and background noise.

Two ultrasonic sensors are installed opposite each other at a specific angle to the gas flow and operate alternately as a transmitter and receiver.



Direct path layout

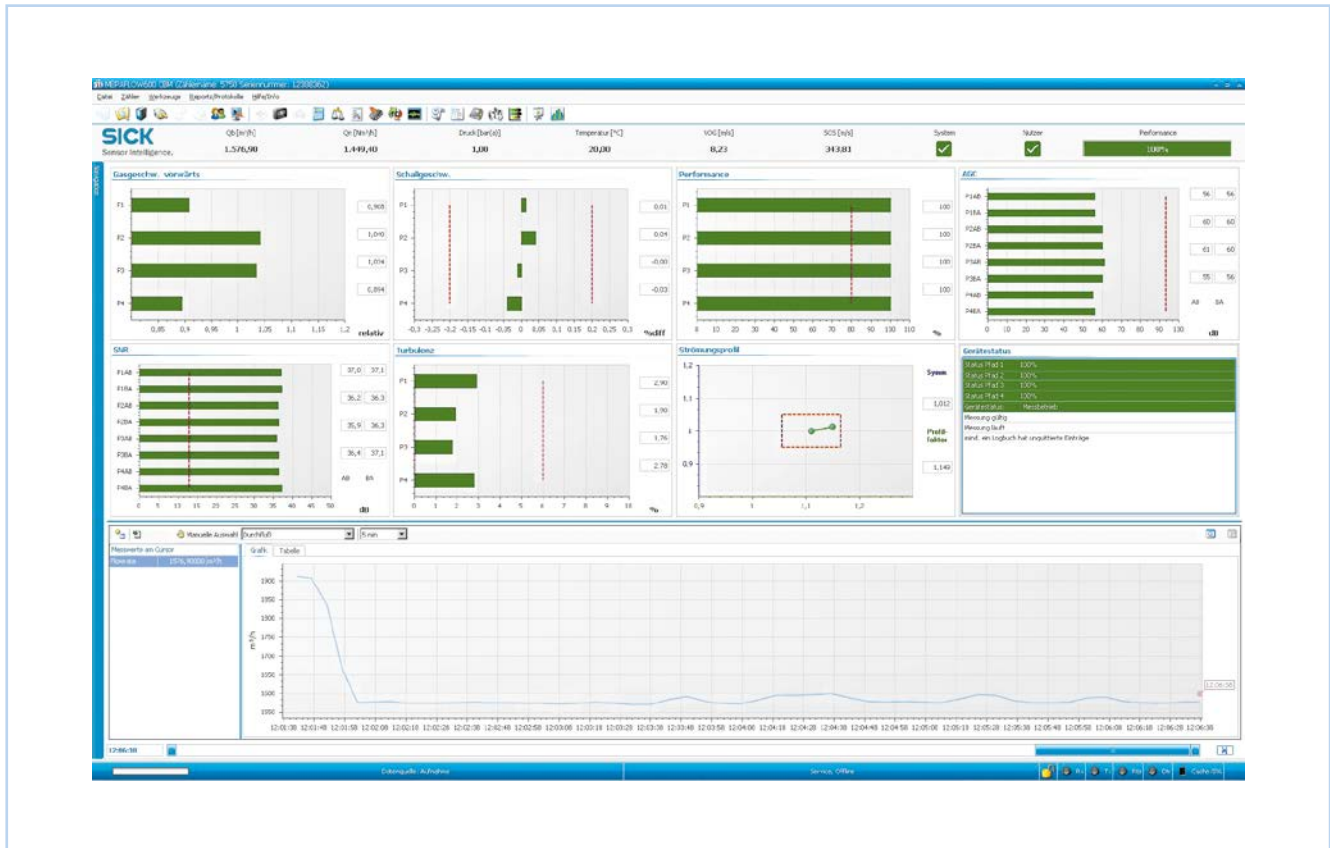


### Automatic Self-Diagnostics

The FLOWSIC600 is equipped with a warning signal that informs the user of a malfunction before the measured value is affected. To do this, current diagnostic indicators are compared to indicators that were learned by the device under normal measurement conditions. The results of the self-diagnostics are permanently logged by an internal electronic data log to allow a retroactive check of the measurement process. Important measured variables such as gas flow and gas velocity (VOG) or diagnostic parameters such as signal-to-noise ratio (SNR) or speed can be read directly.

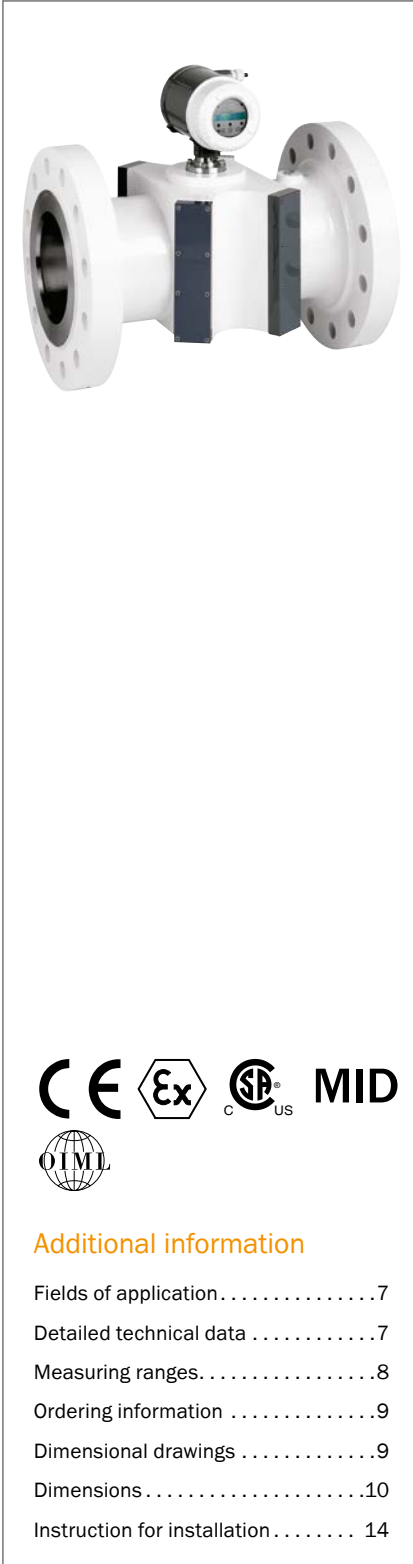
### Operating Software

MEPAFLOW600 CBM operating software allows efficient and effective meter and data management and provides extensive diagnostics options. The software provides simple, user-friendly access to FLOWSIC600 data. MEPAFLOW600 CBM provides permanent online and offline access to the FLOWSIC600. In addition to easy-to-understand visualization, the software supports the user with logs and assistance functions when operating the gas flow meter.



MEPAFLOW CBM

# GAS FLOW METERS FOR CUSTODY TRANSFER TRAFFIC AND PROCESS APPLICATIONS



## Product description

The FLOWSIC600 measurement device is an ultrasonic gas flow meter and sets the standard in its market segment. The visually technical design demonstrates that it is geared to the tough industry conditions. The compact design with integrated cable routing means that the measuring system is durable, failsafe, low-maintenance, and has long-term

stability. The FLOWSIC600 features extensive diagnostics options to allow detection of malfunctions even before the measurement is affected. Types having 2, 4, 4 + 1, or 4 + 4 measuring paths enable a variety of process applications, including custody transfer measurements.

## At a glance

- High efficient ultrasonic transducers
- Direct path layout (Westinghouse design)
- Intelligent self-diagnostics
- Compact, robust design
- Integrated log book and data logger
- Large measuring range 1:120
- Bidirectional measurement
- Low power consumption: <1 W

## Your benefits

- Long-term stability, reliable measurement
- Low maintenance due to intelligent self-diagnostics
- Virtually immune to pressure regulator noise
- Ultrasonic transducers can be exchanged under operating pressure
- Wide application range



## Additional information

Fields of application . . . . . 7

Detailed technical data . . . . . 7

Measuring ranges . . . . . 8

Ordering information . . . . . 9

Dimensional drawings . . . . . 9

Dimensions . . . . . 10

Instruction for installation . . . . . 14

→ [www.mysick.com/en/FLOWSIC600](http://www.mysick.com/en/FLOWSIC600)

For more information, just enter the link and get direct access to technical data, CAD design models, operating instructions, software, application examples and much more.



## Fields of application

- Custody transfer applications (natural gas, N<sub>2</sub>, O<sub>2</sub>, air, ethylene)
- Onshore and offshore applications
- Underground gas storage facilities (bidirectional measurement possible)
- Cryogenic gas applications down to -194 °C
- Also for process gases
- For gases with high H<sub>2</sub>S component such as sour gas or biogas

## Detailed technical data

The exact device specifications and performance data of the product may deviate from the information provided here, and depend on the application in which the product is being used and the relevant customer specifications.

### System

|                                  |   |
|----------------------------------|---|
| <b>Measured values</b>           | Volumetric flow, a. c., volume a. c., gas velocity, sound velocity  |
| <b>Number of measuring paths</b> | 2, 4, 4+1, 4+4  |
| <b>Measurement principle</b>     | Ultrasonic transit time difference measurement  |
| <b>Measuring medium</b>          | Natural gas, air, C <sub>2</sub> H <sub>4</sub> , steam, process gases (e. g. CO <sub>2</sub> up to 100%, N <sub>2</sub> , O <sub>2</sub> , Cl <sub>2</sub> etc.), gases like sour gas or bio gas with high H <sub>2</sub> S content  |
| <b>Measuring ranges</b>          | Volumetric flow, a. c.<br>4 ... 400 m <sup>3</sup> /h / 1,600 ... 100,000 m <sup>3</sup> /h<br>Measuring ranges depend on nominal pipe size   |
| <b>Repeatability</b>             | < 0.1 % of the measured value   |
| <b>Accuracy</b>                  | Error limits<br>2-path version <sup>1</sup> : ≤ ± 1 %<br>4-path version <sup>2</sup> : ≤ ± 0.5 %<br>Dry calibrated<br>4-path version <sup>2</sup> : ≤ ± 0.2 %<br>After flow calibration and adjustment with constant factor<br>4-path version <sup>2</sup> : ≤ ± 0.1 %<br>After flow calibration and adjustment with polynomial or piecewise correction<br><sup>1</sup> In the range Q <sub>t</sub> ... Q <sub>max</sub> with straight 20D/3D inlet/outlet section or with 10D/3D flow conditioner<br><sup>2</sup> In the range Q <sub>t</sub> ... Q <sub>max</sub> with undisturbed 10D/3D inlet/outlet section or with 5D/3D flow Conditioner |
| <b>Diagnostics functions</b>     | Integrated device diagnosis and extended diagnosis via MEPAFLOW600 CBM software   |
| <b>Gas temperature</b>           | ATEX: -40 °C ... +105 °C at T1, T2, T3;<br>-40 °C ... +91 °C at T4<br>Other Ex certifications:<br>On request: -40 °C ... +180 °C<br>-194 °C ... +280 °C   |
| <b>Operating pressure</b>        | 0 bar (g) ... 250 bar (g)<br>On request: Up to 450 bar (g)  |
| <b>Nominal pipe size</b>         | 2 " ... 48 "<br>(DN 50 ... DN 1200)   |
| <b>Ambient temperature</b>       | ATEX, CSA: -40 °C ... +60 °C<br>IECEX: -40 °C ... +70 °C<br>Optional<br>IECEX: -50 °C ... +70 °C  |
| <b>Storage temperature</b>       | -40 °C ... +70 °C   |
| <b>Ambient humidity</b>          | ≤ 95 %<br>Relative humidity   |

|                                       |  |  |
|---------------------------------------|--|--|
| <b>Conformities</b>                   | AGA-Report No. 9<br>API 21.1<br>OIML D11<br>OIML R137-1<br>ISO 17089-1<br>BS 7965<br>Pattern approval: MID, PTB, NMI, Measurement Canada, GOST ... |  |
| <b>Ex-approvals</b>                   | IECEX  | Gb/Ga Ex db eb ib [ia Ga] IIA T4<br>Gb/Ga Ex db eb ib [ia Ga] IIC T4<br>Ultrasonic transducers intrinsically safe  |
|                                       | ATEX   | II 1/2G Ex db eb ib [ia] IIA T4<br>II 1/2G Ex db eb ib [ia] IIC T4<br>Ultrasonic transducers intrinsically safe  |
|                                       | NEC/CEC (US/CA)  | Class I, Division 1, Groups B, C, D T4<br>Class I, Division 2, Groups A, B, C, D T4<br>Class I, Division 1, Group D T4<br>Class I, Division 2, Group D T4<br>Ultrasonic transducers intrinsically safe |
| <b>Electrical safety</b>              | CE   |  |
| <b>Enclosure rating</b>               | IP 65 / IP 66 / IP 67  |  |
| <b>Analog outputs</b>                 | 1 output:<br>4 ... 20 mA, 200 Ω<br>Active/passive, electrically isolated   |  |
| <b>Digital outputs</b>                | 3 outputs:<br>30 V, 10 mA<br>Passive, electrically isolated, Open Collector or according to NAMUR (EN 50227), $f_{max} = 6$ kHz (scalable)         |  |
| <b>Interfaces</b>                     | RS-485 (2x, for configuration, output of measured values and diagnosis)  |  |
| <b>Bus protocol</b>                   | Modbus ASCII<br>Modbus RTU<br>HART   |  |
| <b>Operation</b>                      | Via meter display and software MEPAFLOW600   |  |
| <b>Dimensions (W x H x D)</b>         | See dimensional drawings   |  |
| <b>Weight</b>                         | Depending on device version  |  |
| <b>Material in contact with media</b> | Low temperature carbon steel, stainless steel, duplex steel  |  |
| <b>Electrical connection</b>          | Voltage  | 12 ... 28.8 V DC<br>With active current output: 15 ... 28.8 V DC   |
|                                       | Power consumption  | ≤ 1 W  |

## Measuring ranges

### Measuring ranges

| Nominal size |     | Flow rate         |       |                    |         | Max. velocity * |      |
|--------------|-----|-------------------|-------|--------------------|---------|-----------------|------|
|              |     | m <sup>3</sup> /h |       | ft <sup>3</sup> /h |         | m/s             | ft/s |
|              |     | Min.              | Max.  | Min                | Max.    |                 |      |
| DN 50        | 2"  | 4                 | 400   | 140                | 14,000  | 65              | 213  |
| DN 80        | 3"  | 8                 | 1,000 | 280                | 35,000  | 65              | 213  |
| DN 100       | 4"  | 13                | 1,600 | 460                | 56,000  | 60              | 197  |
| DN 150       | 6"  | 20                | 3,000 | 710                | 106,000 | 50              | 164  |
| DN 200       | 8"  | 32                | 4,500 | 1,130              | 159,000 | 45              | 148  |
| DN 250       | 10" | 50                | 7,000 | 1,770              | 247,000 | 40              | 131  |



| Nominal size |     | Flow rate         |         |                    |           | Max. velocity * |      |
|--------------|-----|-------------------|---------|--------------------|-----------|-----------------|------|
|              |     | m <sup>3</sup> /h |         | ft <sup>3</sup> /h |           | m/s             | ft/s |
|              |     | Min.              | Max.    | Min                | Max.      |                 |      |
| DN 300       | 12" | 65                | 8,000   | 2,300              | 282,000   | 33              | 108  |
| DN 350       | 14" | 80                | 10,000  | 2,830              | 353,000   | 33              | 108  |
| DN 400       | 16" | 120               | 14,000  | 4,240              | 494,000   | 33              | 108  |
| DN 450       | 18" | 130               | 17,000  | 4,600              | 600,000   | 33              | 108  |
| DN 500       | 20" | 200               | 20,000  | 7,070              | 707,000   | 33              | 108  |
| DN 550       | 22" | 260               | 26,000  | 9,185              | 919,000   | 33              | 108  |
| DN 600       | 24" | 320               | 32,000  | 11,300             | 1,131,000 | 33              | 108  |
| DN 650       | 26" | 360               | 36,000  | 12,700             | 1,272,500 | 32              | 103  |
| DN 700       | 28" | 400               | 40,000  | 14,100             | 1,414,000 | 30              | 98   |
| DN 750       | 30" | 400               | 45,000  | 14,100             | 1,590,000 | 30              | 98   |
| DN 800       | 32" | 400               | 50,000  | 14,100             | 1,767,000 | 30              | 98   |
| DN 850       | 34" | 525               | 58,000  | 18,550             | 2,050,000 | 30              | 98   |
| DN 900       | 36" | 650               | 66,000  | 23,000             | 2,333,000 | 30              | 98   |
| DN 950       | 38" | 650               | 73,000  | 23,000             | 2,580,500 | 30              | 98   |
| DN 1000      | 40" | 650               | 80,000  | 23,000             | 2,828,000 | 30              | 98   |
| DN 1050      | 42" | 1,300             | 85,000  | 46,000             | 3,004,000 | 30              | 98   |
| DN 1100      | 44" | 1,400             | 90,000  | 49,500             | 3,181,000 | 28              | 92   |
| DN 1150      | 46" | 1,500             | 95,000  | 53,050             | 3,358,000 | 28              | 91   |
| DN 1200      | 48" | 1,600             | 100,000 | 56,600             | 3,535,000 | 27              | 89   |

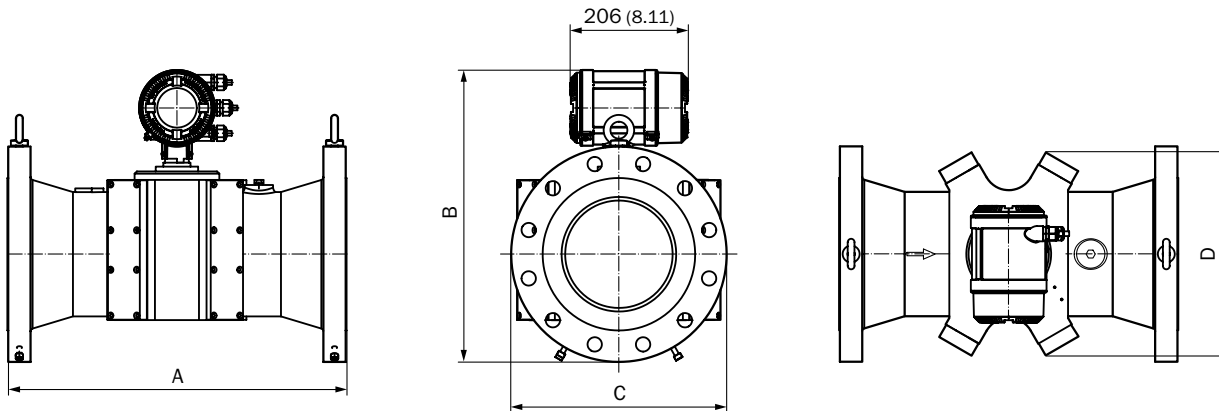
\* When using installation configuration 2 (with flow conditioner) the maximum allowed gas velocity in the pipe is limited to 40 m/s (131 ft/s).

### Ordering information

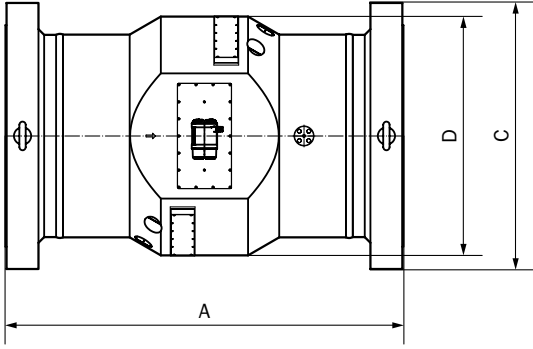
Our regional sales organization will help you to select the optimum device configuration.

### Dimensional drawings (Dimensions in mm (inch))

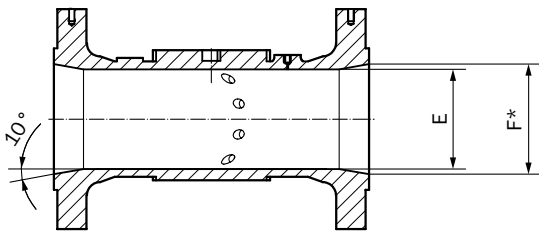
Versions with nominal sizes from 3" up to and including 14" (cast)



Versions for nominal sizes from 16" (forged)



Longitudinal section for nominal widths up to 48"



**Dimensions**

| Nominal pipe size | Connection flange | Standard   | Weight | Length (A) | Height (B) | Flange diameter (C) | Width of measuring section (D) | Internal diameter (E) |     |
|-------------------|-------------------|------------|--------|------------|------------|---------------------|--------------------------------|-----------------------|-----|
|                   |                   |            | [kg]   | [mm]       | [mm]       | [mm]                | [mm]                           | [mm]                  |     |
| 3"                | Cl. 150           | ANSI B16.5 | 37     | 240        | 344        | 190                 | 180                            | 73                    |     |
|                   | Cl. 300           |            | 38     |            | 354        |                     |                                |                       |     |
|                   | Cl. 600           |            | 42     |            | 354        |                     |                                |                       |     |
|                   | Cl. 900           |            | 84     | 395        | 240        |                     |                                |                       |     |
| DN 80             | PN 16             | DIN 2633   | 37     | 240        | 349        | 200                 |                                |                       |     |
|                   | PN 63             | DIN 2636   | 40     |            | 356        |                     |                                |                       | 215 |
|                   | PN 100            | DIN 2637   | 43     |            | 364        |                     |                                |                       | 230 |
| 4"                | Cl. 150           | ANSI B16.5 | 44     | 300        | 375        | 230                 | 240                            | 95                    |     |
|                   | Cl. 300           |            | 55     |            | 388        |                     |                                |                       | 255 |
|                   | Cl. 600           |            | 66     |            | 398        |                     |                                |                       | 275 |
|                   | Cl. 900           |            | 99     | 500        | 408        | 290                 |                                |                       |     |
| DN 100            | PN 16             | DIN 2633   | 40     | 300        | 372        | 220                 |                                |                       |     |
|                   | PN 63             | DIN 2636   | 52     |            | 405        |                     |                                |                       | 250 |
|                   | PN 100            | DIN 2637   | 61     |            | 410        |                     |                                |                       | 265 |
| 6"                | Cl. 150           | ANSI B16.5 | 100    | 450        | 445        | 280                 | 300                            | 142                   |     |
|                   | Cl. 300           |            | 110    |            | 465        |                     |                                |                       | 320 |
|                   | Cl. 600           |            | 140    |            | 483        |                     |                                |                       | 355 |
|                   | Cl. 900           |            | 220    | 750        | 496        | 380                 |                                |                       |     |
| DN 150            | PN 16             | DIN 2633   | 90     | 450        | 448        | 285                 |                                |                       |     |
|                   | PN 63             | DIN 2636   | 110    |            | 478        |                     |                                |                       | 345 |
|                   | PN 100            | DIN 2637   | 130    |            | 483        |                     |                                |                       | 355 |

| Nominal pipe size  | Connection flange | Standard        | Weight | Length (A) | Height (B) | Flange diameter (C) | Width of measuring section (D) | Internal diameter (E) |     |
|--|-------------------|-----------------|--------|------------|------------|---------------------|--------------------------------|-----------------------|-----|
|  |                   |                 | [kg]   | [mm]       | [mm]       | [mm]                | [mm]                           | [mm]                  |     |
| 8"   | Cl. 150           | ANSI B16.5      | 150    | 600        | 498        | 345                 | 350                            | 190                   |     |
|  | Cl. 300           |                 | 180    |            | 516        | 380                 |                                |                       |     |
|  | Cl. 600           |                 | 210    |            | 536        | 420                 |                                |                       |     |
|  | Cl. 900           |                 | 300    |            | 562        | 470                 |                                |                       |     |
| DN 200   | PN 16             | DIN 2633        | 140    |            | 498        | 340                 |                                |                       |     |
|  | PN 63             | DIN 2636        | 190    |            | 535        | 415                 |                                |                       |     |
|  | PN 100            | DIN 2637        | 210    |            | 543        | 430                 |                                |                       |     |
| 10"  | Cl. 150           | ANSI B16.5      | 240    | 750        | 548        | 405                 | 410                            | 235                   |     |
|  | Cl. 300           |                 | 250    |            | 568        | 445                 |                                |                       |     |
|  | Cl. 600           |                 | 330    |            | 600        | 510                 |                                |                       |     |
|  | Cl. 900           |                 | 470    |            | 625        | 545                 |                                |                       |     |
| DN 250   | PN 16             | DIN 2633        | 220    |            | 547        | 405                 |                                |                       |     |
|  | PN 63             | DIN 2636        | 270    |            | 580        | 470                 |                                |                       |     |
|  | PN 100            | DIN 2637        | 320    |            | 597        | 505                 |                                |                       |     |
| 12"  | Cl. 150           | ANSI B16.5      | 350    | 900        | 586        | 485                 | 470                            | 270                   |     |
|  | Cl. 300           |                 | 400    |            | 605        | 520                 |                                |                       |     |
|  | Cl. 600           |                 | 490    |            | 625        | 560                 |                                |                       |     |
|  | Cl. 900           |                 | 720    |            | 685        | 610                 |                                |                       |     |
| DN 300   | PN 16             | DIN 2633        | 325    |            | 575        | 460                 |                                |                       |     |
|  | PN 63             | DIN 2636        | 425    |            | 610        | 530                 |                                |                       |     |
|  | PN 100            | DIN 2637        | 525    |            | 638        | 585                 |                                |                       |     |
| 14"  | Cl. 150           | ANSI B16.5      | 475    | 1,050      | 642        | 535                 | 540                            | 315                   |     |
|  | Cl. 300           |                 | 600    |            | 667        | 585                 |                                |                       |     |
|  | Cl. 600           |                 | 675    |            | 677        | 605                 |                                |                       |     |
|  | Cl. 900           |                 | 850    |            | 700        | 640                 |                                |                       |     |
| DN 350   | PN 16             | DIN 2633        | 475    |            | 635        | 520                 |                                |                       |     |
|  | PN 63             | DIN 2636        | 625    |            | 675        | 600                 |                                |                       |     |
|  | PN 100            | DIN 2637        | 750    |            | 705        | 655                 |                                |                       |     |
| For all meter ≥ 16" an installation length of 3D is optionally available |                   |                 |        |            |            |                     |                                |                       |     |
| 16"  | Cl. 150           | ANSI B16.5      | 475    | 762        | 700        | 595                 | 570                            | 360                   |     |
|  | Cl. 300           |                 | 550    |            | 728        | 650                 |                                |                       |     |
|  | Cl. 600           |                 | 640    |            | 745        | 685                 |                                |                       |     |
|  | Cl. 900           |                 | 1,025  |            | 800        | 755                 |                                |                       | 705 |
| DN 400   | PN 16             | DIN 2633        | 370    | 762        | 693        | 580                 |                                |                       |     |
|  | PN 63             | DIN 2636        | 600    |            | 738        | 670                 |                                |                       |     |
| 18"  | Cl. 150           | ANSI B16.5      | 660    | 820        | 754        | 635                 | 620                            | 405                   |     |
|  | Cl. 300           |                 | 760    |            | 792        | 710                 |                                |                       |     |
|  | Cl. 600           |                 | 960    |            | 820        | 745                 |                                |                       |     |
|  | Cl. 900           |                 | 1,300  | 900        | 830        | 785                 |                                |                       |     |
| DN 450   | PN 16             | Data on request |        |            |            |                     |                                |                       |     |

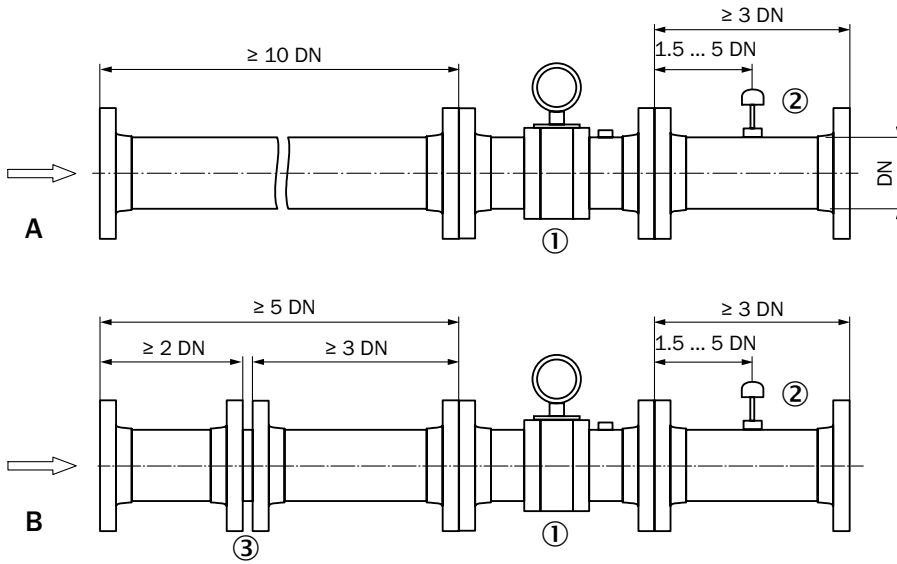
| Nominal pipe size | Connection flange | Standard        | Weight | Length (A) | Height (B) | Flange diameter (C) | Width of measuring section (D) | Internal diameter (E) |       |
|-------------------|-------------------|-----------------|--------|------------|------------|---------------------|--------------------------------|-----------------------|-------|
|                   |                   |                 | [kg]   | [mm]       | [mm]       | [mm]                | [mm]                           | [mm]                  |       |
| 20"               | Cl. 150           | ANSI B16.5      | 750    | 902        | 815        | 700                 | 670                            | 450                   |       |
|                   | Cl. 300           |                 | 930    |            | 853        |                     |                                |                       | 775   |
|                   | Cl. 600           |                 | 1,080  |            | 872        |                     |                                |                       | 815   |
|                   | Cl. 900           |                 | 1,500  | 1,000      | 892        | 855                 |                                |                       |       |
| DN 500            | PN 16             | DIN 2633        | 700    | 902        | 823        | 715                 |                                |                       |       |
| 22"               | Cl. 150           | Data on request |        |            |            |                     |                                |                       |       |
|                   | Cl. 300           |                 |        |            |            |                     |                                |                       |       |
|                   | Cl. 600           |                 |        |            |            |                     |                                |                       |       |
|                   | Cl. 900           |                 |        |            |            |                     |                                |                       |       |
| DN 550            | PN 16             |                 |        |            |            |                     |                                |                       |       |
| 24"               | Cl. 150           | ANSI B16.5      | 1,090  | 991        | 927        | 815                 | 760                            | 540                   |       |
|                   | Cl. 300           |                 | 1,390  |            | 978        |                     |                                |                       | 915   |
|                   | Cl. 600           |                 | 1,615  |            | 990        |                     |                                |                       | 940   |
|                   | Cl. 900           |                 | 2,100  | 1,200      | 1,040      | 1,040               |                                |                       |       |
| DN 600            | PN 16             | DIN 2633        | 1,015  | 991        | 940        | 840                 |                                |                       |       |
| 26"               | Cl. 150           | ASME B16.47     | 1,475  | 1,050      | 965        | 870                 | 828                            | 585                   |       |
|                   | Cl. 300           |                 | 1,825  |            | 1,016      |                     |                                |                       | 972   |
|                   | Cl. 600           |                 | 2,100  |            | 1,038      |                     |                                |                       | 1,016 |
|                   | Cl. 900           |                 | 2,500  | 1,250      | 1,073      | 1,086               |                                |                       |       |
| DN 650            | PN16              | Data on request |        |            |            |                     |                                |                       |       |
| 28"               | Cl. 150           | ASME B16.47     | 1,950  | 1,100      | 1,027      | 927                 | 862                            | 630                   |       |
|                   | Cl. 300           |                 | 2,225  |            | 1,080      |                     |                                |                       | 1,035 |
|                   | Cl. 600           |                 | 2,450  |            | 1,100      |                     |                                |                       | 1,073 |
|                   | Cl. 900           |                 | 3,000  | 1,300      | 1,150      | 1,169               |                                |                       |       |
| DN 700            | PN16              | Data on request |        |            |            |                     |                                |                       |       |
| 30"               | Cl. 150           | ASME B16.47     | 2,195  | 1,150      | 1,080      | 985                 | 902                            | 675                   |       |
|                   | Cl. 300           |                 | 2,545  |            | 1,135      |                     |                                |                       | 1,092 |
|                   | Cl. 600           |                 | 2,820  |            | 1,154      |                     |                                |                       | 1,130 |
|                   | Cl. 900           |                 | 3,350  | 1,350      | 1,205      | 1,232               |                                |                       |       |
| DN 750            | PN16              | Data on request |        |            |            |                     |                                |                       |       |
| 32"               | Cl. 150           | ASME B16.47     | 2,485  | 1,200      | 1,145      | 1,061               | 979                            | 720                   |       |
|                   | Cl. 300           |                 | 2,835  |            | 1,190      |                     |                                |                       | 1,150 |
|                   | Cl. 600           |                 | 3,110  |            | 1,212      |                     |                                |                       | 1,194 |
|                   | Cl. 900           |                 | 3,800  | 1,400      | 1,272      | 1,315               |                                |                       |       |
| DN 800            | PN 16             | Data on request |        |            |            |                     |                                |                       |       |
| 34"               | Cl. 150           | Data on request |        |            |            |                     |                                |                       |       |
|                   | Cl. 300           |                 |        |            |            |                     |                                |                       |       |
|                   | Cl. 600           |                 |        |            |            |                     |                                |                       |       |
|                   | Cl. 900           |                 |        |            |            |                     |                                |                       |       |
| DN 850            | PN 16             |                 |        |            |            |                     |                                |                       |       |
| 36"               | Cl. 150           | ASME B16.47     | 3,125  | 1,250      | 1,250      | 1,169               | 1,082                          | 810                   |       |
|                   | Cl. 300           |                 | 3,525  |            | 1,300      |                     |                                |                       | 1,270 |
|                   | Cl. 600           |                 | 3,850  |            | 1,323      |                     |                                |                       | 1,315 |
|                   | Cl. 900           |                 | 5,225  | 1,450      | 1,396      | 1,461               |                                |                       |       |

| Nominal pipe size | Connection flange | Standard        | Weight          | Length (A) | Height (B) | Flange diameter (C) | Width of measuring section (D) | Internal diameter (E) |
|-------------------|-------------------|-----------------|-----------------|------------|------------|---------------------|--------------------------------|-----------------------|
|                   |                   |                 | [kg]            | [mm]       | [mm]       | [mm]                | [mm]                           | [mm]                  |
| DN 900            | PN 16             | Data on request |                 |            |            |                     |                                |                       |
| 38"               | Cl. 150           | ASME B16.47     | 3,800           | 1,300      | 1,310      | 1,238               | 1,160                          | 855                   |
|                   | Cl. 300           |                 | 3,725           |            | 1,275      | 1,169               |                                |                       |
|                   | Cl. 600           |                 | 4,300           |            | 1,325      | 1,270               |                                |                       |
|                   | Cl. 900           |                 | Data on request |            | 1,421      | 1,461               |                                |                       |
| DN 950            | PN 16             | Data on request |                 |            |            |                     |                                |                       |
| 40"               | Cl. 150           | ASME B16.47     | 3,825           | 1,350      | 1,359      | 1,289               | 1,213                          | 900                   |
|                   | Cl. 300           |                 | 4,125           |            | 1,334      | 1,239               |                                |                       |
|                   | Cl. 600           |                 | 4,675           |            | 1,375      | 1,321               |                                |                       |
|                   | Cl. 900           |                 | Data on request |            | 1,470      | 1,512               |                                |                       |
| DN 1000           | PN 16             | Data on request |                 |            |            |                     |                                |                       |
| 42"               | Cl. 150           | ASME B16.47     | 4,675           | 1,450      | 1,415      | 1,346               | 1,261                          | 945                   |
|                   | Cl. 300           |                 | 4,650           |            | 1,386      | 1,289               |                                |                       |
|                   | Cl. 600           |                 | 5,450           |            | 1,444      | 1,404               |                                |                       |
|                   | Cl. 900           |                 | Data on request |            | 1,523      | 1,562               |                                |                       |
| DN 1050           | PN 16             | Data on request |                 |            |            |                     |                                |                       |
| 44"               | Cl. 150           | Data on request |                 |            |            |                     |                                |                       |
|                   | Cl. 300           | Data on request |                 |            |            |                     |                                |                       |
|                   | Cl. 600           | Data on request |                 |            |            |                     |                                |                       |
|                   | Cl. 900           | Data on request |                 |            |            |                     |                                |                       |
| DN 1100           | PN 16             | Data on request |                 |            |            |                     |                                |                       |
| 46"               | Cl. 150           | Data on request |                 |            |            |                     |                                |                       |
|                   | Cl. 300           | Data on request |                 |            |            |                     |                                |                       |
|                   | Cl. 600           | Data on request |                 |            |            |                     |                                |                       |
|                   | Cl. 900           | Data on request |                 |            |            |                     |                                |                       |
| DN 1150           | PN 16             | Data on request |                 |            |            |                     |                                |                       |
| 48"               | Cl. 150           | ASME B16.47     | 6,400           | 1,600      | 1,574      | 1,511               | 1,416                          | 1,080                 |
|                   | Cl. 300           |                 | 6,475           |            | 1,552      | 1,467               |                                |                       |
|                   | Cl. 600           |                 | 7,850           |            | 1,615      | 1,594               |                                |                       |
|                   | Cl. 900           |                 | 12,100          |            | 1,900      | 1,711               |                                |                       |
| DN 1200           | PN 16             | Data on request |                 |            |            |                     |                                |                       |



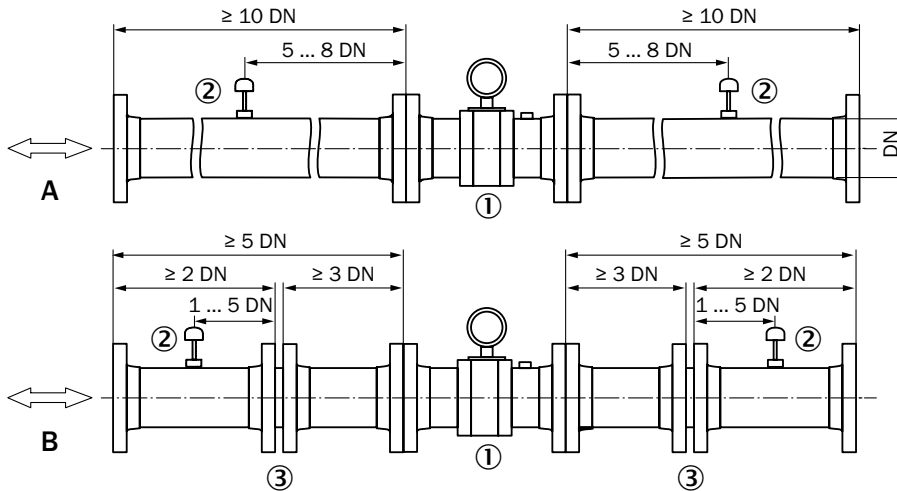
Instruction for installation

FLWSIC600 integration into the pipeline for unidirectional use in configuration 1 (A) and configuration 2 (B)



- ① FLOW SIC600
- ② Temperature measuring point
- ③ Flow conditioner

FLWSIC600 integration into the pipeline for bidirectional use in configuration 1 (A) and configuration 2 (B)



- ① FLOW SIC600
- ② Temperature measuring point
- ③ Flow conditioner

## REGISTER AT WWW.SICK.COM TO TAKE ADVANTAGE OF OUR FOLLOWING SERVICES FOR YOU






- ✔ Access information on net prices and individual discounts.
- ✔ Easily order online and track your delivery.
- ✔ Check your history of all your orders and quotes.
- ✔ Create, save, and share as many wish lists as you want.
- ✔ Use the direct order to quickly order a big amount of products.
- ✔ Check the status of your orders and quotes and get information on status changes by e-mail.
- ✔ Save time by using past orders.
- ✔ Easily export orders and quotes, suited to your systems.



## SERVICES FOR MACHINES AND PLANTS: SICK LifeTime Services

Our comprehensive and versatile LifeTime Services are the perfect addition to the comprehensive range of products from SICK. The services range from product-independent consulting to traditional product services.



- 
**Consulting and design**  
 Safe and professional
- 
**Product and system support**  
 Reliable, fast, and on-site
- 
**Verification and optimization**  
 Safe and regularly inspected
- 
**Upgrade and retrofits**  
 Easy, safe, and economical
- 
**Training and education**  
 Practical, focused, and professional

## SICK AT A GLANCE

SICK is a leading manufacturer of intelligent sensors and sensor solutions for industrial applications. With more than 9,700 employees and over 50 subsidiaries and equity investments as well as numerous agencies worldwide, SICK is always close to its customers. A unique range of products and services creates the perfect basis for controlling processes securely and efficiently, protecting individuals from accidents, and preventing damage to the environment.

SICK has extensive experience in various industries and understands their processes and requirements. With intelligent sensors, SICK delivers exactly what the customers need. In application centers in Europe, Asia, and North America, system solutions are tested and optimized in accordance with customer specifications. All this makes SICK a reliable supplier and development partner.

Comprehensive services round out the offering: SICK LifeTime Services provide support throughout the machine life cycle and ensure safety and productivity.

**That is “Sensor Intelligence.”**

### **Worldwide presence:**

Australia, Austria, Belgium, Brazil, Canada, Chile, China, Czech Republic, Denmark, Finland, France, Germany, Great Britain, Hungary, Hong Kong, India, Israel, Italy, Japan, Malaysia, Mexico, Netherlands, New Zealand, Norway, Poland, Romania, Russia, Singapore, Slovakia, Slovenia, South Africa, South Korea, Spain, Sweden, Switzerland, Taiwan, Thailand, Turkey, United Arab Emirates, USA, Vietnam.

Detailed addresses and further locations → [www.sick.com](http://www.sick.com)