

2/2-way sanitary butterfly valve

- Quick 90 degree on-off operation
- Simple regulating valve
- Suitable for clean industry applications such as food-grade processing, pharmaceutical and chemical
- Option - mounting accessories for actuation

Product variants described in the data sheet may differ from the product presentation and description.

Can be combined with

	Type 2053 Pneumatic rotary actuator	▶
	Type 8691 Control head for decentralised automations of ELEMENT process valves	▶
	Type 8692 Digital electropneumatic positioner for the integrated mounting on process control valves	▶
	Type 8693 Digital electropneumatic process controller for the integrated mounting on process control valves	▶
	Type 8694 Digital electropneumatic positioner for the integrated mounting on process control valves	▶
	Type 3003 Electrical rotary actuator – On/Off and control	▶
	Type 3004 Explosion proof rotary actuator – On/Off and control	▶

Type description

2/2-way butterfly valve in 316L stainless steel for shutting off and controlling media flows.

Available in ASME Clamp and Tube weld end connections with EPDM and FKM seals, it meets the requirements of various hygienic applications and processes.

Further characteristics and advantages are:

- Through shaft for self-centering disc → even wear and low torque
- Spherically shaped disc
- Handle in stainless steel

Table of contents

1. General technical data	3
<hr/>	
2. Approvals and conformities	3
2.1. General notes	3
2.2. Conformity	3
2.3. Standards	3
2.4. Foods and beverages/Hygiene	3
<hr/>	
3. Materials	4
3.1. Bürkert resistApp	4
3.2. Material specifications	4
<hr/>	
4. Dimensions	5
4.1. Dimensions ASME tube weld	5
4.2. Dimensions ASME clamp ferrule	6
<hr/>	
5. Performance specifications	7
5.1. Torques	7
5.2. Pressure temperature diagram	7
<hr/>	
6. Product accessories	8
6.1. Replacement seat	8
6.2. Mounting kit for actuation	8
<hr/>	
7. Networking and combination with other Bürkert products	9
<hr/>	
8. Ordering information	10
8.1. Bürkert eShop	10
8.2. Bürkert product filter	10
8.3. Ordering chart	10
8.4. Ordering chart accessories	11
Replacement seats	11
Mounting kit for actuation	11
Type 2053 actuator for On/Off actuation and for combination with ELEMENT control heads	12
Form seal for control units of Type 8691/8692/8693/8694	12

DTS 1000636050 EN Version: C Status: RL (released | freigegeben | valide) printed: 13.05.2026

1. General technical data

Product properties	
Dimensions	Further information can be found in chapter "4. Dimensions" on page 5.
Material	Further information can be found in chapter "3. Materials" on page 4.
Operating pressure	10 bar
Nominal diameter	½"...4"
Orifice	DN 15...DN 100
Surface finish	≤ 0.5 Ra / ASME SF1
Medium data	
Medium pressure	Further information can be found in chapter "5.2. Pressure temperature diagram" on page 7.
Medium temperature	Further information can be found in chapter "5.2. Pressure temperature diagram" on page 7.
Process/Port connection & communication	
Welded connection	ASME-BPE tube weld Further information can be found in chapter "4.1. Dimensions ASME tube weld" on page 5.
Clamp connection	ASME-BPE clamp ferrule Further information can be found in chapter "4.2. Dimensions ASME clamp ferrule" on page 6.
Approvals and conformities	
Further information can be found in chapter "2. Approvals and conformities" on page 3.	

2. Approvals and conformities

2.1. General notes

- The approvals and conformities listed below must be stated when making enquiries. This is the only way to ensure that the product complies with all required specifications.
- Not all available verions can be supplied with the below mentioned approvals or conformities.

2.2. Conformity

In accordance with the Declaration of Conformity, the product is compliant with the EU Directives. This includes the following directives: Pressure Equipment Directive 2014/68/EU

2.3. Standards

The applied standards which are used to demonstrate compliance with the EU Directives are listed in the EU-Type Examination Certificate and/or the EU Declaration of Conformity.

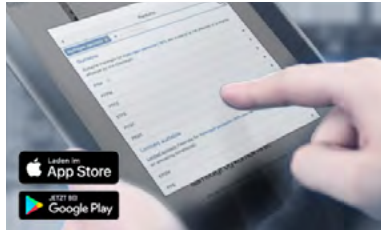
2.4. Foods and beverages/Hygiene

Conformity	Description
FDA	FDA - Code of Federal Regulations (valid for the variable code PL02) All wetted materials are compliant with the code of Federal Regulations published by the FDA (Food and Drug Administration, USA) 21 CFR 177.2600

DTS 1000636050 EN Version: C Status: RL (released | freigegeben | valide) printed: 13.05.2026

3. Materials

3.1. Bürkert resistApp

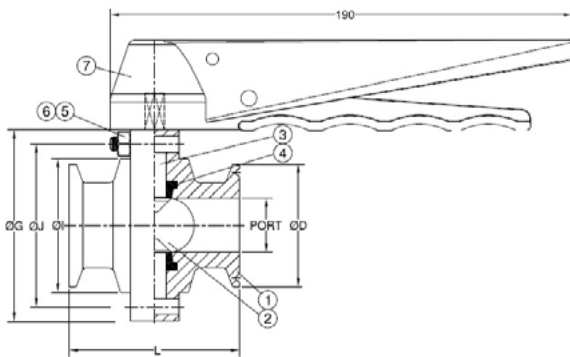


Bürkert resistApp – Chemical resistance chart

You want to ensure the reliability and durability of the materials in your individual application case? Verify your combination of media and materials on our website or in our resistApp.

[Start chemical resistance check](#)

3.2. Material specifications



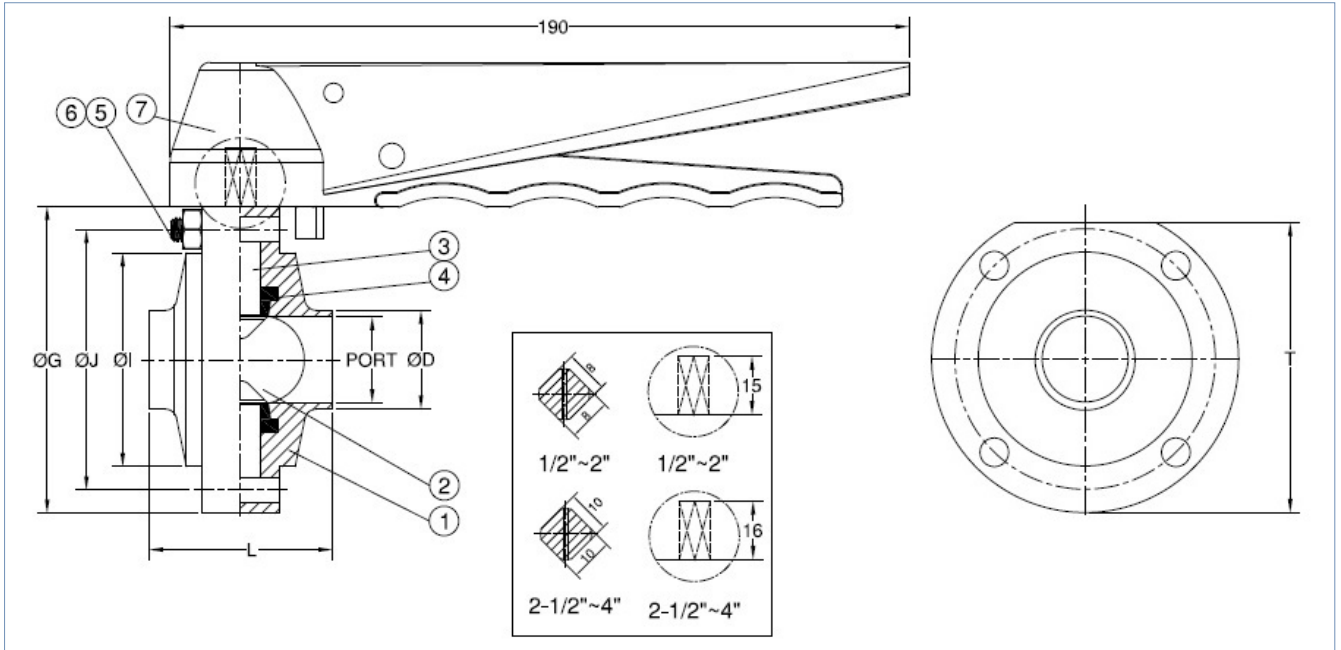
No.	Element	Material
1	Body	1.4404
2	Disc	1.4404
3	Stem	1.4404
4	Seat	EPDM / FKM
5	Bolt	1.4301
6	Nut	1.4301
7	Handle	1.4301

4. Dimensions

4.1. Dimensions ASME tube weld

Note:

Dimensions in mm



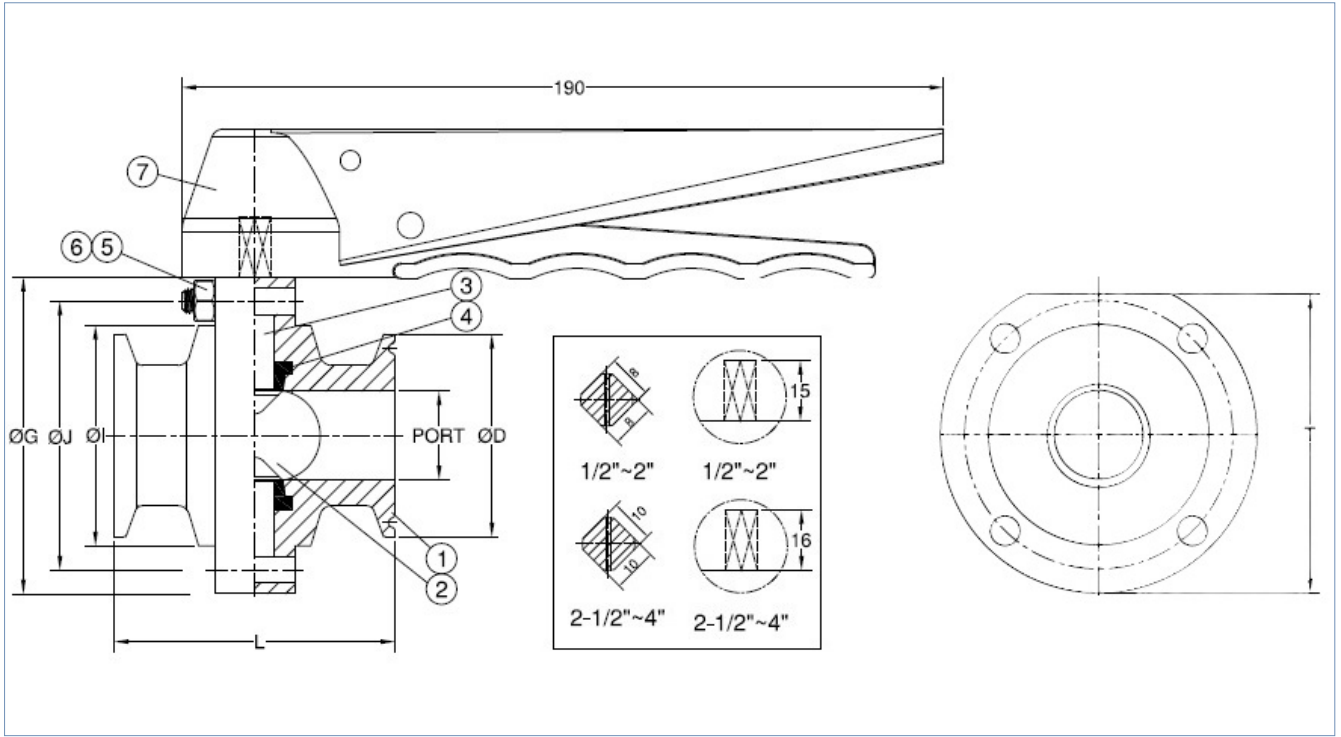
Size	Port	L	ØD	ØG	ØJ	ØI	T	K _v	
DN	Inch								
15	1/2	9.4	47	12.7	79	67.0	55.0	73.0	7
20	3/4	15.8	47	19.1	79	67.0	55.0	73.0	24
25	1	22.1	47	25.4	79	67.0	55.0	73.0	48
40	1 1/2	34.8	47	38.1	85	67.0	55.0	81.0	125
50	2	47.5	52	50.8	100	85.0	70.0	95.0	238
65	2 1/2	60.2	54	63.5	115	100.0	85.0	111.0	392
80	3	72.9	56	76.2	127	113.0	98.0	124.0	582
100	4	97.3	60	101.6	156	142.0	127.0	151.0	1034

DTS 1000636050 EN Version: C Status: RL (released | freigegeben | valide) printed: 13.05.2026

4.2. Dimensions ASME clamp ferrule

Note:

Dimensions in mm



Size		Port	L	ØD	ØG	ØJ	ØI	T	K _v
[DN]	[Inch]								
15	½	9.4	70	25.0	79	67.0	55.0	73.0	7
20	¾	15.8	70	50.5	79	67.0	55.0	73.0	24
25	1	22.1	70	50.5	79	67.0	55.0	73.0	48
40	1½	34.8	70	50.5	85	67.0	55.0	81.0	125
50	2	47.5	74	64.0	100	85.0	70.0	95.0	238
65	2½	60.2	76	77.5	115	100.0	85.0	111.0	392
80	3	72.9	78	91.0	127	113.0	98.0	124.0	582
100	4	97.3	90	119.0	156	142.0	127.0	151.0	1034

DTS 1000636050 EN Version: C Status: RL (released | freigegeben | valide) printed: 13.05.2026

5. Performance specifications

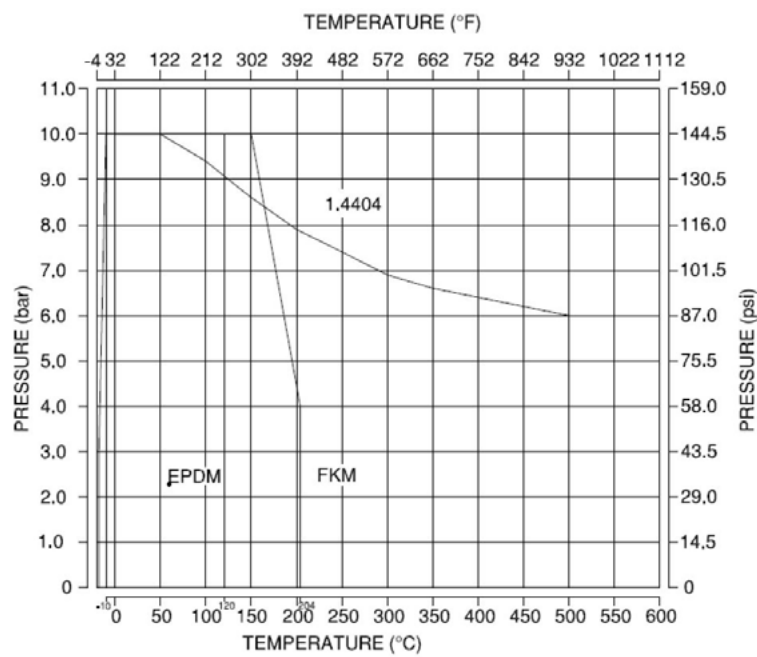
5.1. Torques

Note:

- For the actuator choice, we recommend a safety torque equal to 1.3 times of the valve maximum torque.
- Test medium: water at room temperature

Torques for butterfly valves with PN 10 pressure rating								
DN [mm]	15	20	25	40	50	65	80	100
Break torque [Nm]	10	10	10	10	13	15	20	30

5.2. Pressure temperature diagram



6. Product accessories

6.1. Replacement seat

Note:

- Replacement seats in EPDM and FKM
- Further information can be found in chapter [“Replacement seats” on page 11.](#)

6.2. Mounting kit for actuation

Note:

Further information can be found in chapter [“Mounting kit for actuation” on page 11.](#)

Description	Quantity	Material
Mounting bracket	1	SS 316
Stem coupling	1	SS 316
Valve mounting screws	2	SS 304
Set screw	4	SS 304
Washer	4	SS 304
Nut	4	SS 304
Stem sleeve ^{1.)}	1	SS 304

1.) Where applicable

7. Networking and combination with other Bürkert products

The sanitary butterfly valve Type 2671 can be combined with the rotary pneumatic actuator Type 2051, 2052 and further expanded with classic positioners Type 8792, 8635, and feedback Type 1061. The ELEMENT ready pneumatic actuator Type 2053 provides combinations with the ELEMENT control head Type 8691, 8692, 8693 and 8694.

Example:



Type 8804 electrical rotary actuation

Type 3003 ▶ Electrical actuator On/Off & Control	Type 3004 ▶ Explosion proof actuator	Type 3005 ▶ Electrical actuator On/Off & control	Type 2051 ▶ Pneumatic rotary actuator	Type 2052 ▶ Pneumatic rotary actuator

Type 8805 pneumatic actuation

Type 2053 ▶ ELEMENT ready pneumatic actuator

Digital electropneumatic positioner	Position feedback	Pilot valve
Type 879x ▶ SideControl Namur	Type 8635 ▶ SideControl Namur ATEX	Type 1061 ▶ Position feedback unit for pneumatic rotary actuators
		Type 6519 ▶ Servo-assisted 3/2, 5/2 or 5/3-way solenoid valve


ELEMENT process automation

Type 8691 ▶ Control head	Type 8692 ▶ Positioner	Type 8693 ▶ Controller	Type 8694 ▶ Positioner

DTS 1000636050 EN Version: C Status: RL (released | freigegeben | valide) printed: 13.05.2026

8. Ordering information

8.1. Bürkert eShop




Bürkert eShop – Easy ordering and quick delivery

You want to find your desired Bürkert product or spare part quickly and order directly? Our online shop is available for you 24/7. Sign up and enjoy all the benefits.

Order online now

8.2. Bürkert product filter



Bürkert product filter – Get quickly to the right product

You want to select products comfortably based on your technical requirements? Use the Bürkert product filter and find suitable articles for your application quickly and easily.

8.3. Ordering chart

Size		Article no.	Article no.
[DN]	[Inch]	OD Weld	Clamp
Seal material EPDM			
15	1/2	93955709	93955733
20	3/4	93955710	93955734
25	1	93955711	93955735
40	1 1/2	93955712	93955736
50	2	93955713	93955737
65	2 1/2	93955714	93955738
80	3	93955715	93955739
100	4	93955716	93955740
Seal material FKM			
15	1/2	93955717	93955741
20	3/4	93955718	93955742
25	1	93955719	93955743
40	1 1/2	93955720	93955744
50	2	93955721	93955745
65	2 1/2	93955722	93955746
80	3	93955723	93955747
100	4	93955724	93955748

DTS 1000636050 EN Version: C Status: RL (released | freigegeben | valide) printed: 13.05.2026

8.4. Ordering chart accessories

Replacement seats

Valve size [DN]	Article no.	Article no.
	EPDM	FKM
15	93921497	93921356
20	93921498	93921357
25	93921499	93921358
40	93921500	93921359
50	93921501	93921360
65	93921502	93921361
80	93921503	93921362
100	93921504	93921363

Mounting kit for actuation

Note:

- Dimensions in mm
- Kit includes bracket, stem adaptor, stem sleeve (where applicable), mounting screws, washers & nuts


Mounting kit	Valve size	ISO 5211 mounting	Adaptor drive	Article no.
	[DN]		[mm]	
	15	F05	11	93928152
			14	93928144
	20	F05	11	93928153
			14	93928145
	25	F05	11	93928154
			14	93928146
	40	F05	11	93928155
			14	93928147
	50	F05	11	93928156
			14	93928148
	65	F05	14	93928149
	80	F05	14	93928150
	100	F07	14	93928151

DTS 1000636050 EN Version: C Status: RL (released | freigegeben | valide) printed: 13.05.2026

Type 2053 actuator for On/Off actuation and for combination with ELEMENT control heads

Note:

- Actuator selection safety torque equal to 1.3 times of the valve torque
- Actuator operated at 6 bar. Lower control pressure reduces the spring torque
- For further versions see data sheet **Type 2053** ▶
- For all assemblies of the actuator Type 2053 with control unit Type 8691/8692/8693/8694 the form seal for control units is needed. The article number can be found in chapter **“8.4. Ordering chart accessories” on page 11.**

Actuator	Valve size	Article no.	Article no.		
	[DN]	On/Off	ELEMENT		
	Single-acting				
	15	369733 𐀀	369735 𐀀		
	20				
	25				
	40				
	50				
	65	369737 𐀀	369739 𐀀		
	80				
	100				
	Double-acting				
	15			369734 𐀀	369736 𐀀
	20				
	25				
	40				
50					
65	369734 𐀀	369736 𐀀			
80					
100					

Form seal for control units of Type 8691/8692/8693/8694

Note:

For all assemblies of actuator Type 2053 with control unit Type 8691/8692/8693/8694 the Form Seal for Control Units is needed.

Description	Article no.
Form seal for control units	60014507 𐀀

DTS 1000636050 EN Version: C Status: RL (released | freigegeben | valide) printed: 13.05.2026