

FEATURES

- Compact three way solenoid valves with orifices and pipe connections in valve body, provide in-line piping
- Valves do not require a minimum operating pressure
- The solenoid valves satisfy all relevant EC Directives

GENERAL

| | |
|-----------------------|-------------------------------|
| Differential pressure | 0 to 14 bar [1 bar = 100 kPa] |
| Maximum viscosity | 65cSt (mm ² /s) |
| Response times | 5 - 25 ms |

| fluids (*) | temperature range (TS) | seal materials (*) |
|----------------------------|------------------------|--------------------|
| air, inert gas, water, oil | -20 to +90°C | NBR (nitrile) |



MATERIALS IN CONTACT WITH FLUID

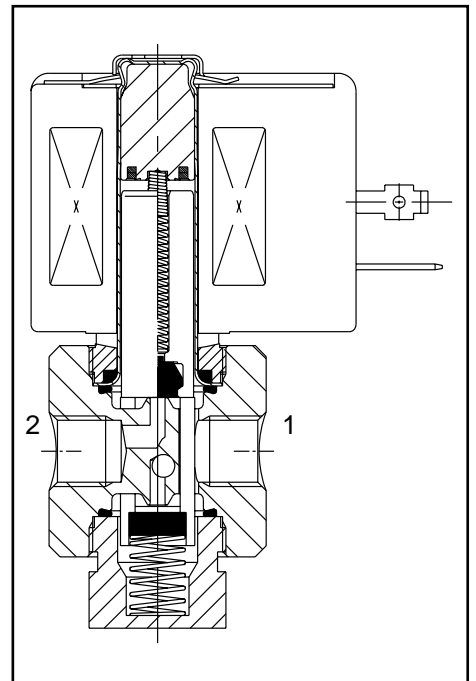
(*) Ensure that the compatibility of the fluids in contact with the materials is verified

| | Brass body | Stainless steel body |
|--------------------------|-----------------|----------------------|
| Body | Brass | AISI 303 SS |
| Core tube | Stainless steel | Stainless steel |
| Core and plugnut | Stainless steel | Stainless steel |
| Springs | Stainless steel | Stainless steel |
| Seats | Brass | Stainless steel |
| Seal & discs | NBR | NBR |
| Disc holder & core guide | POM | POM |
| Shading coil | Copper | Silver |

ELECTRICAL CHARACTERISTICS

| | |
|---------------------------------------|-----------------------------------|
| Coil insulation class | F |
| Connector | Spade plug (cable Ø 6-10 mm) |
| Connector specification | ISO 4400 / EN 175301-803, form A |
| Electrical safety | IEC 335 |
| Standard voltages | DC (=): 24V |
| (Other voltages and 60 Hz on request) | AC (-): 24V - 115V - 230V / 50 Hz |

| coil type | power ratings | | | | ambient temperature ranges (TS) (°C) | protection |
|-----------|---------------|-----------|------|------------|--------------------------------------|--------------|
| | inrush ~ | holding ~ | | hot/cold = | | |
| | | (VA) | (VA) | | | |
| CM6-FT | 34 | 15,6 | 6,0 | 7 / 9,7 | -20 to +75 | moulded IP65 |
| CM6-FB | 30 | 22,5 | 9,0 | - | -20 to +50 | moulded IP65 |



SPECIFICATIONS

| pipe size | orifice size | flow coefficient Kv | | operating pressure differential (bar) | | | | | | | | coil type | | catalogue number | | OPTIONAL | | | | | |
|--|--------------|---------------------|---------|---------------------------------------|-----|---------|-----|-----------|-----|---------|--------|-----------|------------|------------------|---|------------|----------------------|-----|------|----|----------|
| | | | | maximum (PS) | | | | | | | | | | | | brass body | stainless steel body | FPM | EPDM | CR | PTFE (1) |
| | | | | min. | | air (*) | | water (*) | | oil (*) | | | | | | | | | | | |
| NPT | (mm) | (m ³ /h) | (l/min) | | | | | | | | | | | | | | | | | | |
| U - Universal, NBR seals | | | | | | | | | | | | | | | | | | | | | |
| 1/8 | 1,6 | 0,08 | 1,3 | 0 | 7 | 4,5 | 7 | 4,5 | 7 | 4,5 | CM6-FB | CM6-FT | SCB320B001 | SCB320A041 | V | E | J | T | | | |
| | 2,4 | 0,10 | 1,7 | 0 | 3,5 | 3,5 | 3,5 | 3,5 | 3,5 | 3,5 | CM6-FT | CM6-FT | SCB320B083 | SCB320A087 | V | E | J | T | | | |
| | 3,2 | 0,18 | 3,0 | 0 | 2 | 1,5 | 2 | 1,5 | 2 | 1,5 | CM6-FB | CM6-FT | SCB320B003 | SCB320A043 | V | E | J | T | | | |
| NC - Normally closed, NBR seals | | | | | | | | | | | | | | | | | | | | | |
| 1/8 | 1,2 | 0,05 | 0,5 | 0 | 14 | 14 | 14 | 14 | 14 | 14 | CM6-FT | CM6-FT | SCB320B132 | SCB320A142 | V | E | J | T | | | |
| | 1,6 | 0,08 | 1,3 | 0 | 9 | 9 | 9 | 9 | 9 | 9 | CM6-FT | CM6-FT | SCB320B013 | SCB320A045 | V | E | J | T | | | |
| | 2,4 | 0,10 | 1,7 | 0 | 7 | 7 | 7 | 7 | 7 | 7 | CM6-FT | CM6-FT | SCB320B015 | SCB320A047 | V | E | J | T | | | |
| | 3,2 | 0,18 | 3,0 | 0 | 3 | 3 | 3 | 3 | 3 | 3 | CM6-FT | CM6-FT | SCB320B017 | SCB320A049 | V | E | J | T | | | |
| NO - Normally open, NBR seals | | | | | | | | | | | | | | | | | | | | | |
| 1/8 | 1,2 | 0,05 | 0,5 | 0 | 14 | 14 | 14 | 14 | 14 | 14 | CM6-FT | CM6-FT | SCB320B136 | SCB320A146 | V | E | J | T | | | |
| | 1,6 | 0,08 | 1,3 | 0 | 9 | 9 | 9 | 9 | 9 | 9 | CM6-FT | CM6-FT | SCB320B027 | SCB320A051 | V | E | J | T | | | |
| | 2,4 | 0,10 | 1,7 | 0 | 7 | 7 | 7 | 7 | 7 | 7 | CM6-FT | CM6-FT | SCB320B029 | SCB320A053 | V | E | J | T | | | |
| | 3,2 | 0,18 | 3,0 | 0 | 3 | 3 | 3 | 3 | 3 | 3 | CM6-FT | CM6-FT | SCB320B031 | SCB320A055 | V | E | J | T | | | |

(1) Stainless steel body only

OPTIONS

- Valves can also be supplied with FPM (fluorelastomer), EPDM (ethylene-propylene), CR (chloroprene) and on stainless steel body version PTFE only, seals and discs. Use the appropriate optional suffix letter for identification
- Waterproof enclosure with embedded screw terminal and Pg 13,5 cable gland to meet CEE-10 (IP67)
- Explosionproof enclosures for hazardous locations according to "ATEX/CENELEC" and national standards
- Explosionproof and watertight enclosures according to "NEMA" standards
- Mounting brackets for brass body solenoid valves
- Compliance with "UL" and "CSA" standards
- Manual operator
- Plug with visual indication and with peak voltage suppression and with cable length of 2m

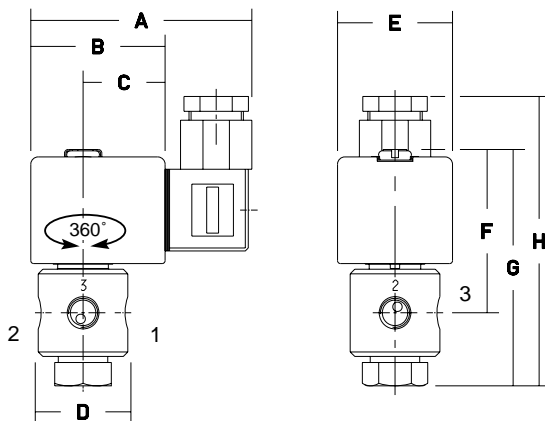
INSTALLATION

- The valves can be mounted in any position without affecting operation
- Mounting brackets are standard supplied with stainless steel body solenoid valves
- Pipe connection identifier is: B = NPT (ANSI 1.20.3)
- The third digit in the catalogue number indicates the standard pipe connection
- Other pipe connections are available on request
- Installation/maintenance instructions are included with each valve
- Spare Parts Kit and replacement coils are available

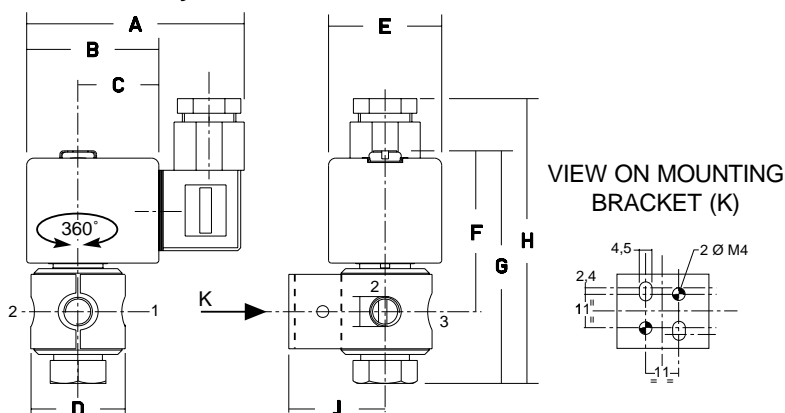
DIMENSIONS (mm), WEIGHT (kg)



Brass body solenoid valves



Stainless steel body solenoid valves



| catalogue number | A | B | C | D | E | F | G | H | J | weight (1) |
|----------------------|----|----|----|----|----|----|----|----|----|------------|
| brass body | 75 | 45 | 27 | 30 | 39 | 56 | 79 | 95 | - | 0,4 |
| stainless steel body | 75 | 45 | 27 | 30 | 39 | 56 | 79 | 95 | 40 | 0,4 |

(1) Incl. coil and connector

All leaflets are available on: www.ascojoucomatic.com