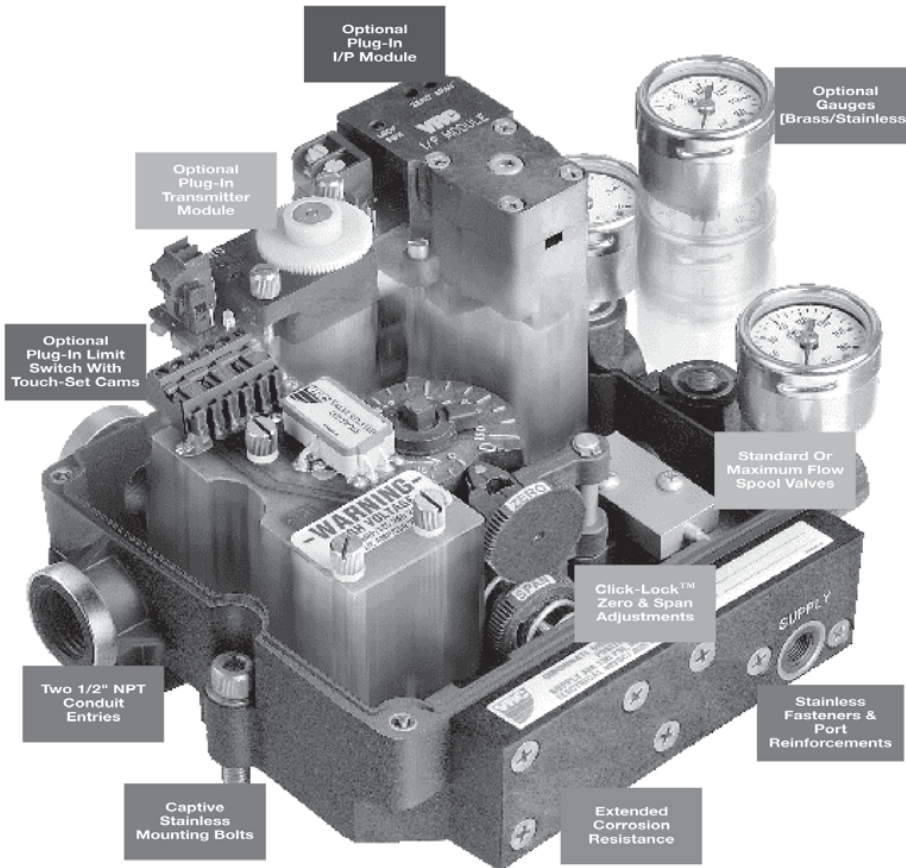




AIR-CON V-SERIES VALVE POSITIONERS

PNEUMATIC AND ELECTRO-PNEUMATIC



- OPTIONS**
- Position Indicator**
 Flat 90°
 Dome 90°
 Flat 180°
- Characterizing Cam**
 Linear
 Square Root
 0-60°
 Equal Percent
 Custom
 Tangent
 0 - 45°
- Spool Valve**
 Standard Flow
 Maximum Flow
 Extreme Service
- Port Gauges**
 Brass / Stainless
- Position Transmitter**
 Current: 4-20MA
 Resistive: 10000hm
- Limit Switch**
 2) SPDT. UL & CSA
 10A @ 125/250 VAC
 0.5A @ 125 VAC
 0.25A @ 250 VAC
- Proximity 52 Option**
 2) SPST. UL
 1A @ 140 VAC
 1A @ 200 VAC

Air Con Positioner

STANDARD PRODUCT NUMBER

VP700G	Pneumatic	Nema 4
VE700G	Electro Pneumatic	Nema 4
VX700-G	Electro Pneumatic	Nema 7

Features

The V-Series is summed up in one word: **Simplicity**. Changing a Pneumatic Positioner to an Electro-Pneumatic Positioner, adding a limit switch and/or position transmitter module, or adding gauges is a simple procedure.

Total field upgradeability

The V-Series offers true modularity to simplify changes, minimize inventory, and ease servicing.

Modular 1/P Converter

The 1/P Converter has been designed to provide flawless automatic compensation for supply pressure, atmospheric pressure, and ambient temperature changes - **all standard!** Integral RFI protection as well!



AIR-CON V-SERIES VALVE POSITIONERS - TECHNICAL DATA

PERFORMANCE

Parameter	Specification
Resolution	0.25% Maximum 0.10% Typical
Repeatability	99.75% Minimum 99.90% Typical
Hysteresis	0.50% Maximum 0.25% Typical
Linearity	1.0% Maximum
Gain	250 Single Acting 500 Double Acting
Gain @ 80 PSIG	
Air Consumption @ 80 PSIG	0.5 SCF. Standard Flow Spool Valve 0.45 SCRM. Maximum Flow Spool Valve
Temp. Range	-40 to 150F/-40 to 65C

CONSTRUCTION

Part	Materials
Enclosure	PPA Composite 300 Stainless Port Rings Cover and Mounting Bolts
Indicator Lens	LEXAN™
Internals	PPA, PPS and PEEK Composites 300 Series Stainless Steel Nickel Plated Brass
Spool Valve	Carpenter 70 Grade Stainless Steel
I/P Converter	PPA Composite TEFLON™ Coated Carbon Steel Nickel Plated Carbon Steel High Density Polyethylene DELRIN™
Signal Diaphragm/ O-Rings	BUNA N

HAZARDOUS LOCATIONS INFORMATION

I/P Converter Type 22/06-65 (Model VI)

Factory Mutual Approved:
Intrinsically Safe, Class I,
Division I, GRP. A, B, C, D
Non-Incendive, Class I, Division 2,
GRP. A, B, C, D

CSA Approved:
Intrinsically Safe, Class I,
Division 1 and 2, GRP. A, B, C, D

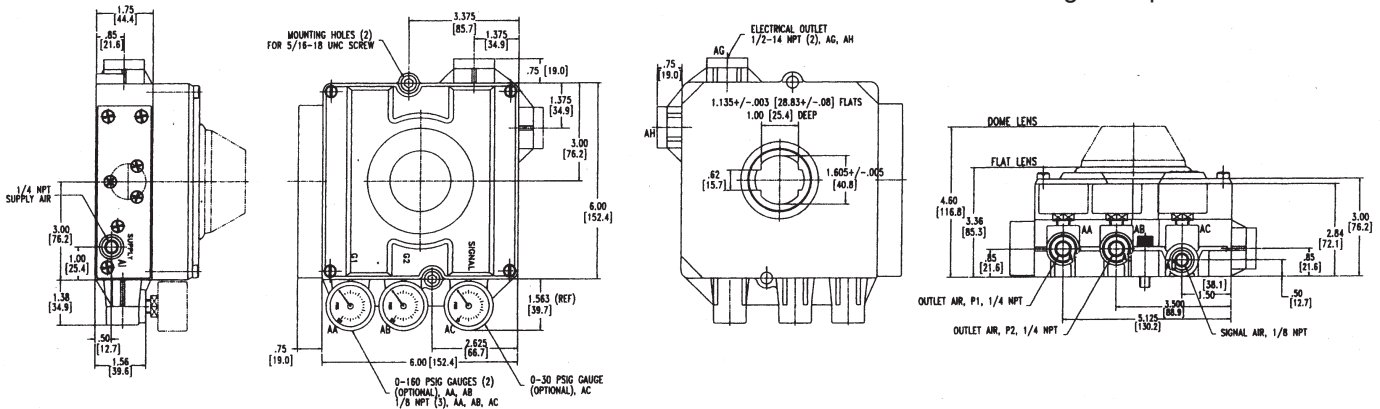
CENELEC Approved
EEx ia IIC T6

For Applications In Hazardous
Locations, Reference Control
Documents No. 900842/900843
Available

Universal Mounting Flexibility Mounting Kit includes:

- Bracket • Smaller Coupler
- Large Coupler or Namur

DIMENSIONAL DIAGRAMS



ORDERING SPECIFICATIONS / MODEL NUMBERS

Required Selections					Optional Selections							
MODEL TYPE	POSITION INDICATOR	CHARACTERIZING CAM	SPOOL VALVE		PORT GAUGES		POSITION TRANSMITTER		PORT GAUGES			
VP Pneumatic 3-15 PSI	Flat 90°	7	Linear	0	Standard	0	Brass	G	4-20 MA	T1	Mechanical	S1
	Flat 180°	8	Square Root	1	Maximum	1	Stainless	Z	1 Kohm	T2	(2) SPDT	
VE Electro-Pneumatic 4-20 MA	Dome 90°	9	Square	2	Extreme Service Standard Flow	2					Proximity	S2
			0-60°	3	Extreme Service Maximum Flow	3					(2) SPDT	
			Equal Precent	4								
VI Electro-Pneumatic General Purpose & Hazardous Locations			Custom	5								
			Tangent	6								
			0-45°	7								



Flo-Tite, Inc.
4815 West 5th St.
Lumberton, NC 28358

P. O. Box 1293
Lumberton, NC 28359
Website: www.flotite.com

Tel: (910) 738-8904
Fax: (910) 738-9112
E-mail: flotite@flotite.com