



INDICATEUR SERIES

Flo-tites High Visual Position Indicator takes the guess work out of valve position.



The INDICATEUR DIRECT is the direct-mount visual valve position indicator of choice. In addition to superior valve position indication, the unit has a rugged design suited to withstand harsh plant environments and operations.

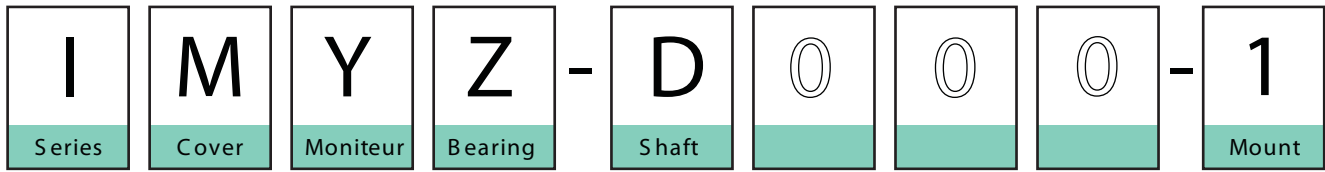
- **Environmentally sealed** indicateur prevents fogging or entry of contaminants.
- **“Weep” holes** keep moisture from accumulating anywhere on the enclosure.
- **Clear cover** is free from decals or paint that fade in sunlight or during plant washdowns.
- **Ektar indicator cover** offers excellent chemical resistance and strength.
- **Molded from DuPont’s SuperTough Zytel Nylon** for the ultimate in strength and corrosion resistance.
- **No bracketry required** for actuators with the NAMUR accessory mounting pattern.
- **The industry’s only “true” visual valve** position indicator for Multi-Ported valves - indicator is fully adjustable to match the actual valve.

VISUAL INDICATOR OPTIONS

FLOW PATTERNS

Color	Model #		Color	Model #	
Black / Yellow	I2		3-way Path O	I9	
Green / Red	I3		3-way Path T	I10	
Red / Green	I4		3-way Path F	I11	
ANSI Red / White	I5		4-way Path S	I12	
ANSI Green / White	I6		180 T-port	I13	
ANSI Blue / White	I7		180 L-port	I14	
0-100% Digital	I8		120° Pig Valves	I15	

INTELLIGENT PART NUMBER SYSTEM

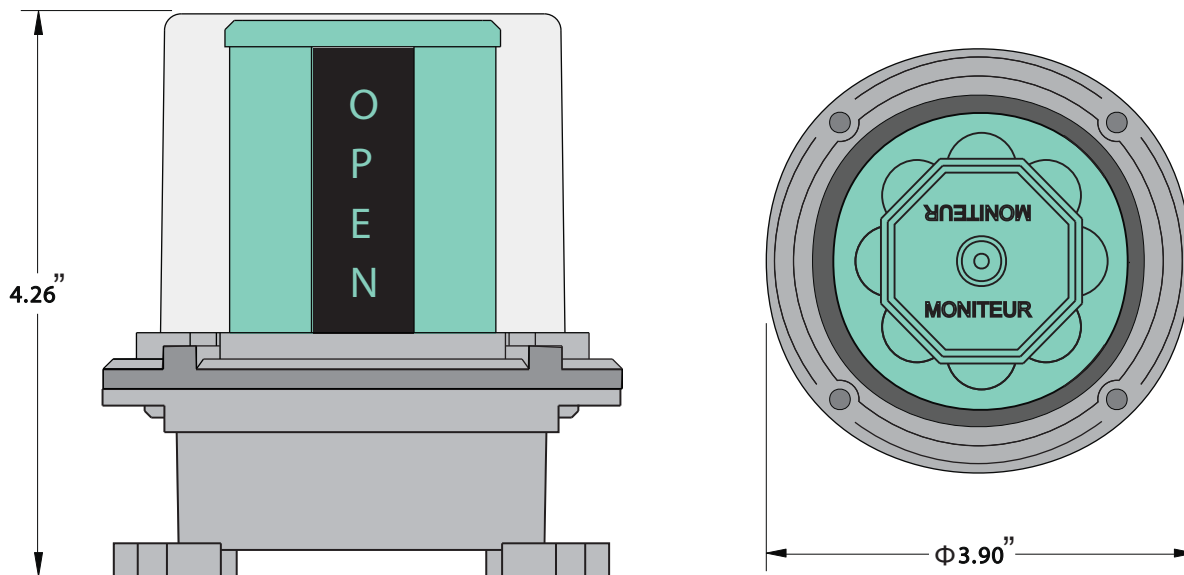


Base unit includes:	Sealed Black / Yellow Indicator Built-in Nylon bearing Direct NAMUR mount	Rugged Delrin Shaft Metric and English mounting screws
----------------------------	---	---

Description	Code	Description	Code
Moniteur		Bearing	
Black / Yellow	Y	Zytel Nylon	Z
3-Way Path O,T,F	O,T, F		
4-Way Path	S	Shaft	
180 degree T-port	1	Delrin	D
120 degree	3		
180 degree L-port	5	Mounting (L x W x H)	
Green / White	G	80 x 30 x 20	1
Red / White	R	80 x 30 x 30	2
Blue / White	B	130 x 30 x 30*	3
Green / Red	A	130 x 30 x 50*	4
Red / Green	C		
0-100%	P		



DIMENSIONS



Flo-Tite, Inc.
4815 West 5th St.
Lumberton, NC 28358

P. O. Box 1293
Lumberton, NC 28359
Website: www.flotite.com

Tel: (910) 738-8904
Fax: (910) 738-9112
E-mail: flotite@flotite.com