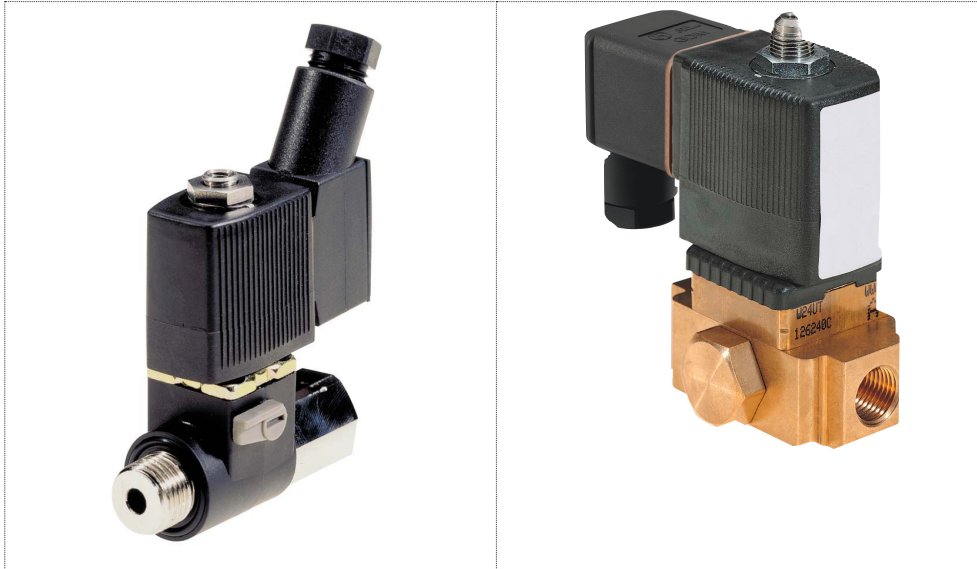


## Pilot valve type PV94/95 3/2-ways



Type PV94

Type PV95

### Product description

The PV94/PV95 pilot valve is a direct-acting plunger valve. The 3/2-way solenoid valve is used to activate single-acting pneumatic actuators. The PV94 is designed for dimensions up to DN50, the PV95 for DN65-DN150. It is mounted directly on the actuator via a banjo bolt. A G $\frac{1}{8}$  connection is available as an air connection, for the PV94 as well as an additional 6 mm hose connector.

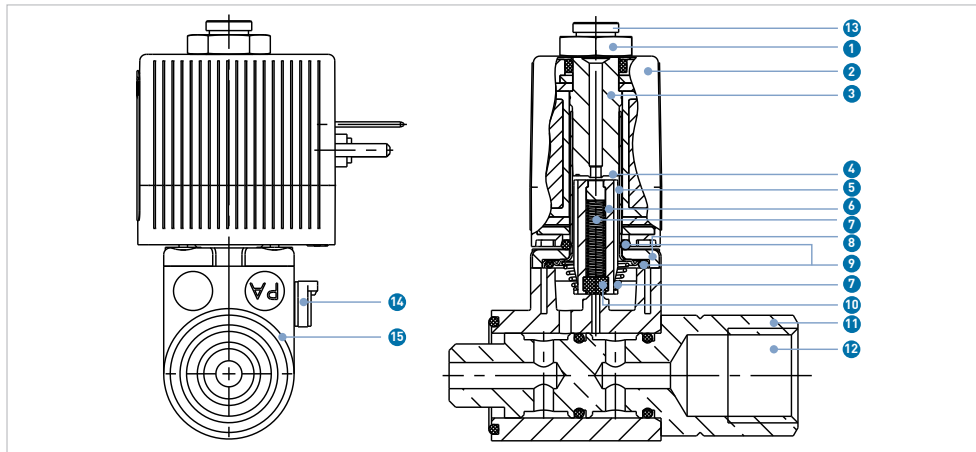
The PV94 is available in nominal size DN1.2, the PV95 in DN2, each with different voltages.

### Benefits/features

- Direct acting and compact small valve
- Easy direct attachment to a pneumatic Actuator
- Service-friendly manual operation
- PV94: Push-over coil system
- PV95: Vibration-proof, bolted coil system

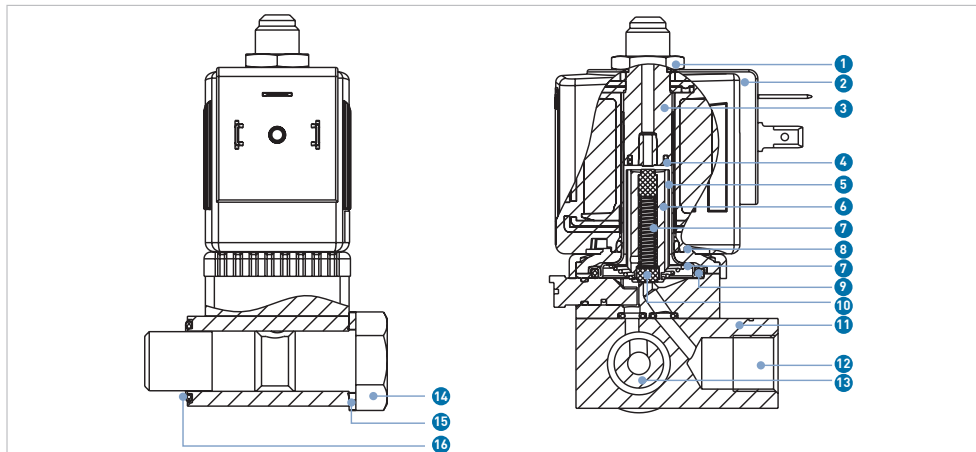
# Technical data

## PV94



- ① Locknut (Steel)
- ② Coil (PA)
- ③ Stopper (Stainless steel)
- ④ Shading ring (Copper)
- ⑤ Guide tube (Stainless steel)
- ⑥ Magnetic core (Stainless steel)
- ⑦ Spring (Stainless steel)
- ⑧ Sub-base (Stahl)
- ⑨ O-ring (FKM)
- ⑩ Armature seal (FKM)
- ⑪ Banjo bold (Brass Nickel plated)
- ⑫ Pressure inlet P (Circuit function C)
- ⑬ Pressure inlet P (Circuit function D)
- ⑭ Hand lever (Durethane)
- ⑮ Valve body (PA)

## PV95



- ① Locknut (Steel)
- ② Coil (PA)
- ③ Stopper (Stainless steel)
- ④ Shading ring (Copper)
- ⑤ Guide tube (Stainless steel)
- ⑥ Magnetic core (Stainless steel)
- ⑦ Spring (Stainless steel)
- ⑧ Sub-base (Steel)
- ⑨ O-ring (FKM)
- ⑩ Armature seal (FKM)
- ⑪ Valve body (Aluminum)
- ⑫ Pressure inlet P
- ⑬ Pressure inlet A
- ⑭ Screw (Brass Nickel plated)
- ⑮ Seal (Aluminum, NBR)
- ⑯ O-ring (NBR)

Specification	PV94	PV95
Nominal diameter	DN1.2	DN2
Housing material	Polyamide	Brass (flange housing) Aluminum anodized (Connector housing)
Coil material	Polyamide	Polyamide
Hollow screw	Nickel-plated brass	Nickel-plated brass
Sealing material	NBR	FKM
Media	Neutral gases and fluids	
Medium temperature	-10 °C to +60°C	-10 °C to +100 °C
Ambient temperature	-10 °C to +40°C	max. + 55 °C
Viscosity	Max. 21 mm <sup>2</sup> /S	
Port connection	G <sup>1</sup> / <sub>8</sub> "	G <sup>1</sup> / <sub>8</sub> ", G <sup>1</sup> / <sub>4</sub> "
Air connection	G <sup>1</sup> / <sub>8</sub> ", NPT <sup>1</sup> / <sub>8</sub> ", tube fitting Ø6mm	G <sup>1</sup> / <sub>4</sub> ", NPT <sup>1</sup> / <sub>8</sub> "
Supply voltage	24 V DC 24 V, 50 – 60 Hz 115 V, 50 – 60 Hz 230 V, 50 – 60 Hz	
Voltage tolerance	+/-10 %	
Rated duty	Continuous duty 100 % ED, intermittent duty 40% ED (30min)	

\* QNn value for air [l/min] at +20 °C, 6 bar valve inlet, pressure difference 1 bar

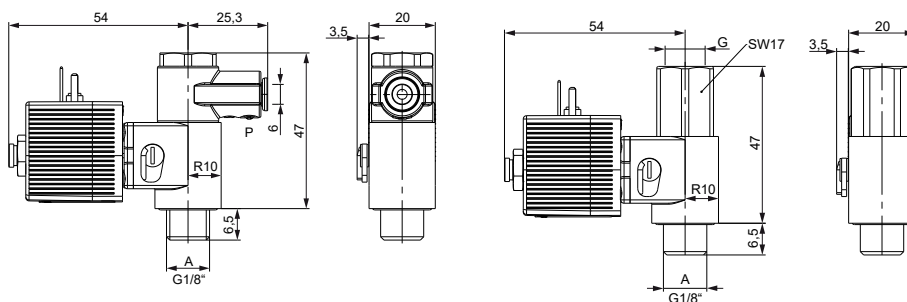
\*\* Pressure data [bar] gauge pressure

\*\*\* Response time [ms]: Measured at the valve outlet at 6 bar and +20 °C open: pressure buildup 0 – 90 %, close: pressure release 100 – 0 %

Specification	PV94	PV95
Electrical connections	Per DIN EN 175301-803* Form C	Per DIN EN 175301-803* Form A
Manual override	Standard	
Mounting position	User-defined, preferably actuator on top	
Weight	135 g	420 g
Protection rating	IP 65 with cable plug	
Coil insulation class	B	B
Circuit function	C (normally closed)	C (normally closed)
QnN value air*	48 l/min	120 l/min
Pressure range**	0-10 bar (AC) / 0-6 bar (DC)	0 – 10 bar
Coil output	4W (AC, DC)	8 W (AC, DC)
Electrical power startup	9 VA (AC); 4 W (DC)	24 VA (AC), 8 W (DC)
Electrical power operation	6 VA (AC), 4 W (DC)	17 VA (AC), 8 W (DC)
Response time open***	7-10 ms (AC) / 7-12 ms (DC)	10-15 ms
Response time close***	9-12 ms (AC)/7-12 ms (DC)	15-20 ms

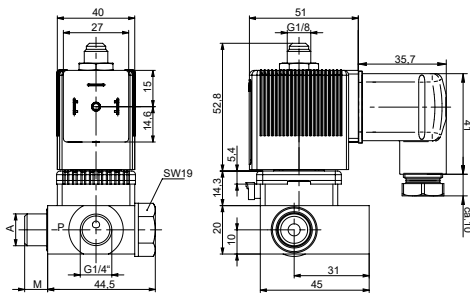
- \* QnN value for air [l/min] at +20 °C, 6 bar valve inlet, pressure difference 1 bar
- \*\* Pressure data [bar] gauge pressure
- \*\*\* Response time [ms]: Measured at the valve outlet at 6 bar and +20 °C open: pressure buildup 0 – 90 %, close: pressure release 100 – 0 %

### Dimensions



Type PV94 with hose coupling

Type PV94 with G1/8" threaded connection

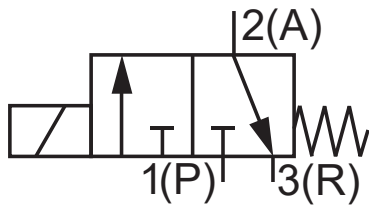


#### Typ PV95

A = G1/8": M = 6.5 mm  
A = G1/4": M = 8.0 mm

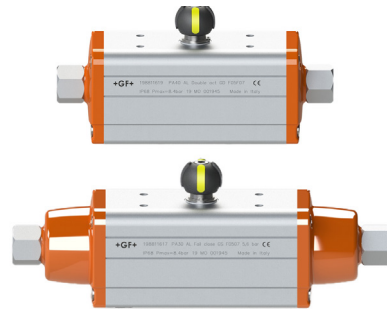
### Switching functions

#### Circuit function C



3/2 way direct-acting solenoid valve,  
normally closed

#### Valve selection guide (metric) / NPT



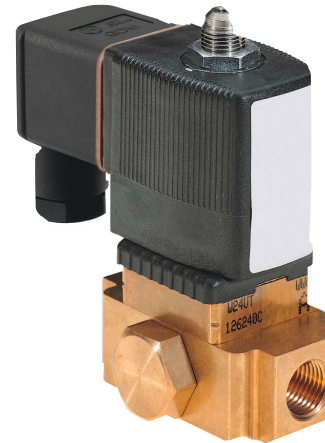
≤DN65

>DN65

PV94



PV95



Actuator connection

G1/8" with adapter union to G1/4"

Compressed air connection

Metric	NPT	
G1/8"	6 mm hose coupling	NPT 1/8"
24 V DC	24 V DC	24 V DC
24 V AC	24 V AC	115 V AC
110 V AC	110 V AC	
230 V AC	230 V AC	

Actuator connection

G1/8" with adapter union to G1/4"

Compressed air connection

Metric	NPT
G1/4" 10 bar max.	NPT 1/8" 10 bar max.
24 V DC	24 V DC
24 V AC	110 V AC
110 V AC	
230 V AC	

The information and technical data (altogether "Data") herein are not binding, unless explicitly confirmed in writing. The Data neither constitutes any expressed, implied or warranted characteristics, nor guaranteed properties or a guaranteed durability. All Data is subject to modification. The General Terms and Conditions of Sale of Georg Fischer Piping Systems apply.

10/2021-A

© Georg Fischer Piping Systems Ltd, 8201 Schaffhausen/Switzerland  
Tel. +41 52 631 11 11 • www.gfps.com • E-Mail: info.ps@georgfischer.com