

CC Precision Pressure Gauge

FEATURES

- $\pm 0.1\%$ of span accuracy (ASME B 40.100 Grade 4A)
- Ranges from vacuum to 30,000 psi, gauge, absolute and compound pressure
- Mirror band dial and knife edge pointer to eliminate parallax error
- Solid front protective case

SPECIFICATIONS

Accuracy:	$\pm 0.1\%$ of span (ASME B40.100 Grade 4A) (includes NIST Traceable Calibration Certification)
Hysteresis:	$< 0.1\%$ of span
Case Size:	8½", 12" or 16"
Enclosure Rating:	Case is not sealed, recommended for weather protected environment only
Process Connection Size:	¼ NPT Female bottom ½ NPT Male or female – back or bottom ¼ NPT Male or female – back or bottom ⅝"-18 UNF-2B Female for ¼" HP tubing MS33649-4 Female only – back or bottom MS33656-4 Male only – back or bottom MS-16142 Female only – back or bottom MIL-G-18997D Male only – back or bottom
Standard Inlet Fittings:	<ul style="list-style-type: none"> • ¼ NPT Female back connection for ranges up to and including 10,000 psi • Ranges greater than 10,000 psi, ⅝"-18 UNF female compatible with AND10050-4, Aminco 45-11310 and Autoclave F-250-C
Process Connection Location:	Back, bottom
Case Style:	Solid front, blow out rear cover, with integral panel mounting flange
Mounting Options:	Integral panel mount or wall mount bracket
Pointer Travel:	300 Degrees
Options:	Thermal compensation from -25°F to $+125^{\circ}\text{F}$

WETTED COMPONENTS

Model	Inlet Fitting	Bourdon Tube
CC	303 SS	Beryllium copper: 0/15 psi through 0/40 psi 403 SS: 0/50 psi through 0/100,000 psi

NON-WETTED COMPONENTS

Model	Case Material	Enclosure Rating
CC	Cast aluminum	Case is not sealed, recommended for weather protected environment only



CC
8½", 12", 16" dial sizes

OPTIONS

- Thermal Compensation:** Bimetallic compensator corrects effects of ambient temperature on bourdon tube to maintain accuracy between -25°F and $+125^{\circ}\text{F}$
- Slotted Link:** Protects gauge movement from damage caused by sudden release of pressure, such as burst testing applications
- Peak Load Indicator:** "Max Hand" red pointer which remains in position after being pushed by the primary pointer. External knob allows for manual reset.
- Peak Load Indicator:** Special units of measure and dual scales can be customized to meet customer requirements.
- Custom Scales:** Special units of measure and dual scales can be customized to meet customer requirements.
- Hand Carry Case:** Sturdy lightly padded case for storage and hand carry of gauge. Not suitable for use as stand alone shipping container.

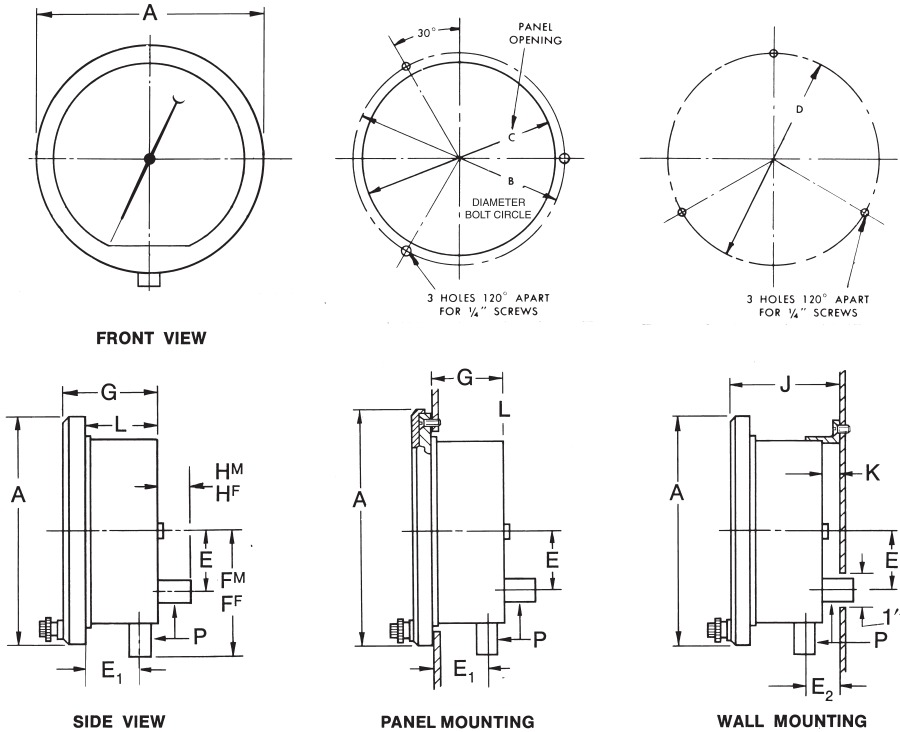
CC Precision Pressure Gauge

ORDERING CODE	Example:	CCA	L	G	V	30000	B	C
Model Code/Dial Size								
CCA - 8½" dial		CCA						
CCB - 12" dial								
CCC - 16" dial								
Process Connection Size								
A - ½ NPT Male back								
B - ¼ NPT Male back								
C - ½ NPT Female back								
D - ¼ NPT Female back								
E - ⅝-18 Female Thread back								
F - MS-33656-4 Male back								
G - MS-33649-4 Female back								
H - ¾-16 Thread Male back								
J - ⅝-18 UNF3A Male back								
K - ½ NPT Male bottom								
L - ¼ NPT Male bottom			L					
M - ½ NPT Female bottom								
N - ¼ NPT Female bottom								
P - ⅝-18 Female Thread bottom								
R - MS-33656-4 Male bottom								
S - MS-33649-4 Female bottom								
U - ⅝-18 UNF3A Male bottom								
X - MS-16142 ⅝-18 Female bottom								
Z - MS-16142 ⅝-18 Female back								
Pressure Type								
G - Gauge				G				
A - Absolute (Note: absolute ranges require manual barometric pressure compensation)								
V - Vacuum								
C - Compound								
Tube Material								
J - Beryllium copper (up to 40 psi)								
V - 403 Stainless steel (50 psi and greater)					V			
Pressure Range in psi (Consult factory for more ranges and units)								
15								
20								
25								
30								
40								
50								
60								
75								
100								
150								
200								
250								
300								
400								
500								
600								
750								
1000								
1500								
2000								
2500								
3000								
4000								
5000								
6000								
7500								
10000								
15000								
20000								
25000								
30000						30000		
Dial Type								
B - 8½"							B	
C - 12"								
D - 16"								
Optional Features								
C - Slotted link								C
D - Temperature compensated								
E - Special calibration								
F - Special scale								
G - Dual scale								
H - Special cleaning for oxygen service								
J - 8½" Peak load indicator								
K - 12" Peak load indicator								
L - 16" Peak load indicator								
N - 8½", 12", 16" Wall mount								
W - Special cleaning, oxygen clean, do not apply warning labels								
S - Laminated safety glass								

CC Precision Pressure Gauge

DIMENSIONS

For reference only, consult Ashcroft for specific dimensional drawings



Size	Dim. Units	A	B	C	D	E	E ₁	E ₂	F ^M	F ^F	G	H ^M	H ^F	J	K	L
8 1/2"	in.	10 5/16	9 3/8	8 15/16	9 1/2	3 3/4	1 1/16	1 5/64	5 1/16	5 1/4	3 25/64	1 3/8	1 1/16	4 1/32	4 1/64	2 21/32
	mm	261.9	238.1	228.6	241.3	82.6	33.3	50.4	141.3	133.4	86.1	35.0	27.0	102.3	16.3	67.4
12"	in.	13 21/32	12 3/4	12 3/8	9 1/2	3 3/4	1 1/16	1 5/64	5 1/16	5 1/4	3 25/64	1 3/8	1 1/16	4 1/32	4 1/64	2 21/32
	mm	346.9	329.9	314.3	241.3	82.6	33.3	50.4	141.3	133.4	86.1	35.0	27.0	103.3	16.3	67.4
16"	in.	17 23/32	16 3/4	16 3/8	9 1/2	3 3/4	1 1/16	1 5/64	5 1/16	5 1/4	3 25/64	1 3/8	1 1/16	4 1/16	4 1/64	2 21/32
	mm	450.1	425.2	415.9	241.3	82.6	33.3	50.4	141.3	133.4	86.1	35.0	27.0	103.3	16.3	67.4

Inlet Pressure Connection* P	Pressure connection is illustrated in both back and bottom configurations.			
Approximate Weight	Dial Size	8 1/2"	12"	16"
	Net Weight	7 3/4 lbs	10 3/4 lbs	14 1/4 lbs
	Shipping Weight	10 lbs	15 lbs	21 lbs

*Standard Inlet Fittings: 1/4 NPT Female Back Connection for ranges up to and including 10,000 psi.

**Ranges greater than 10,000 psi 1/16 -18 UNF Female compatible with AND10050-4, Aminco 45-11310 and Autoclave F-250-C.

CC Precision Pressure Gauge

GRADUATION TABLES

Scale for All Units of Measure	8 1/2" CC				12" CC				16" CC				Scale for All Units of Measure
	Total Number of Divisions	Value per Division	Division Pattern	Numerical Value	Total Number of Divisions	Value per Division	Division Pattern	Numerical Value	Total Number of Divisions	Value per Division	Division Pattern	Numerical Value	
0-1	500	.002	1/5	.05	1000	.001	1/5	.05	1000	.001	1/5	.05	0-1
0-1.6	800	.002	1/5	.1	800	.002	1/5	.1	800	.002	1/5	.1	0-1.6
0-2	400	.005	1/2	.1	1000	.002	1/5	.1	1000	.002	1/5	.1	0-2
0-2.5	500	.005	1/2	.1	1000	.0025	1/4	.1	1250	.002	1/5	.1	0-2.5
0-3	600	.005	1/2	.2	600	.005	1/2	.2	1500	.002	1/5	.1	0-3
0-4	400	.01	1/5	.2	800	.005	1/2	.2	800	.005	1/2	.2	0-4
0-5	500	.01	1/5	.2	1000	.005	1/2	.2	1000	.005	1/2	.2	0-5
0-6	600	.01	1/5	.2	600	.01	1/5	.2	1200	.005	1/2	.2	0-6
0-7.5	750	.01	1/5	.5	750	.01	1/5	.5	1500	.005	1/2	.5	0-7.5
0-10	500	.02	1/5	.5	1000	.01	1/5	.5	1000	.01	1/5	.5	0-10
0-15	750	.02	1/5	1	750	.02	1/5	1	1500	.01	1/5	.5	0-15
0-16	800	.02	1/5	1	800	.02	1/5	1	800	.02	1/5	1	0-16
0-20	400	.05	1/2	1	1000	.02	1/5	1	1000	.02	1/5	1	0-20
0-25	500	.05	1/2	1	1000	.025	1/4	1	1250	.02	1/5	1	0-25
0-30	600	.05	1/2	2	600	.05	1/2	2	1500	.02	1/5	1	0-30
0-40	400	.1	1/5	2	800	.05	1/2	2	800	.05	1/2	2	0-40
0-50	500	.1	1/5	2	1000	.05	1/2	2	1000	.05	1/2	2	0-50
0-60	600	.1	1/5	2	600	.1	1/5	2	1200	.05	1/2	2	0-60
0-75	750	.1	1/5	5	750	.1	1/5	5	1500	.05	1/2	5	0-75
0-100	500	.2	1/5	5	1000	.1	1/5	5	1000	.1	1/5	5	0-100
0-150	750	.2	1/5	10	750	.2	1/5	10	1500	.1	1/5	5	0-150
0-160	800	.2	1/5	10	800	.2	1/5	10	800	.2	1/5	10	0-160
0-200	400	.5	1/2	10	1000	.2	1/5	10	1000	.2	1/5	10	0-200
0-250	500	.5	1/2	10	1000	.25	1/4	10	1250	.2	1/5	10	0-250
0-300	600	.5	1/2	20	600	.5	1/2	20	1500	.2	1/5	10	0-300
0-400	400	1	1/5	20	800	.5	1/2	20	800	.5	1/2	20	0-400
0-500	500	1	1/5	25	1000	.5	1/2	20	1000	.5	1/2	20	0-500
0-600	600	1	1/5	25	600	1	1/5	25	1200	.5	1/2	20	0-600
0-750	750	1	1/5	50	750	1	1/5	50	1500	.5	1/2	50	0-750
0-760	760	1	1/5	40	760	1	1/5	40	1520	.5	1/2	40	0-760
0-1000	500	2	1/5	50	1000	1	1/5	50	1000	1	1/5	50	0-1000
0-1500	750	2	1/5	100	750	2	1/5	100	1500	1	1/5	50	0-1500
0-1600	800	2	1/5	100	800	2	1/5	100	800	2	1/5	100	0-1600
0-2000	400	5	1/2	100	1000	2	1/5	100	1000	2	1/5	100	0-2000
0-2500	500	5	1/2	100	1000	2.5	1/4	100	1250	2	1/5	100	0-2500
0-3000	600	5	1/2	200	600	5	1/2	200	1500	2	1/5	100	0-3000
0-4000	400	10	1/5	200	800	5	1/2	200	800	5	1/2	200	0-4000
0-5000	500	10	1/5	250	1000	5	1/2	200	1000	5	1/2	200	0-5000
0-6000	600	10	1/5	250	600	10	1/5	250	1200	5	1/2	200	0-6000
0-7500	750	10	1/5	500	750	10	1/5	500	1500	5	1/2	500	0-7500
0-10000	500	20	1/5	500	1000	10	1/5	500	1000	10	1/5	500	0-10000
0-15000	750	20	1/5	1000	750	20	1/5	1000	1500	10	1/5	500	0-15000
0-20000	400	50	1/2	1000	1000	20	1/5	1000	1000	20	1/5	1000	0-20000
0-25000	500	50	1/2	1000	1000	25	1/4	1000	1250	20	1/5	1000	0-25000
0-30000	600	50	1/2	2000	600	50	1/2	2000	1500	20	1/5	1000	0-30000
0-40000	400	100	1/5	2000	800	50	1/2	2000	800	50	1/2	2000	0-40000
0-50000	500	100	1/5	2500	1000	50	1/2	2000	1000	50	1/2	2000	0-50000
0-60000	600	100	1/5	2500	600	100	1/5	2500	1200	50	1/2	2000	0-60000
0-75000	750	100	1/5	5000	750	100	1/5	5000	1500	50	1/2	5000	0-75000
0-100000	500	200	1/5	5000	1000	100	1/5	5000	1000	100	1/5	5000	0-100000

Division Pattern

1/2



1/4



1/5

