

Series 20SS/CS FL Ball Valve

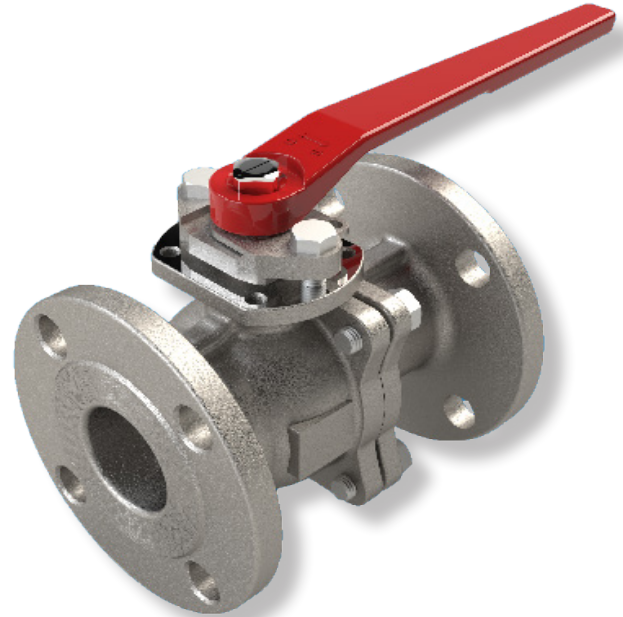
ANSI Class 150 Flange Ball Valve, Full Port
Sizes 1" ~ 6"



The SVF Series 20SS/CS FL Flanged Ball Valves are designed for general purpose performance in a wide variety of utility applications. The 20SS/CS FL is an economical valve that meets industry requirements for performance and dependability.

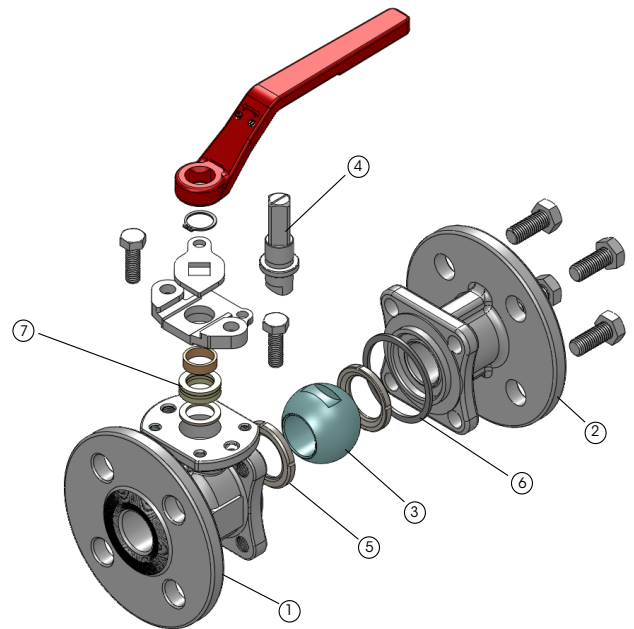
SERIES 20SS/CS FL DESIGN FEATURES

- ✓ Designed & built for economical performance
- ✓ Full Port flow path for maximum flow
- ✓ Chevron (V-Ring) stem seals (#7) assures low friction and leak tight performance
- ✓ Lockable in the open and closed position
- ✓ Blowout proof stem adds safety and reliability
- ✓ Standard seat material is RTFE



MATERIALS OF CONSTRUCTION

ITEM	DESCRIPTION	MATERIALS SPECIFICATIONS
1	Body	316 Stainless Steel (ASTM A351-CF8M) Carbon Steel (ASTM A216-WCB)
2	End Connector	316 Stainless Steel (ASTM A351-CF8M) Carbon Steel (ASTM A216-WCB)
3	Ball	316 Stainless Steel (ASTM A351-CF8M)
4	Stem	SUS316 (Stainless Steel Valve) SUS304 (Carbon Steel Valve)
5	Seat	RTFE
6	Body Seal	RTFE
7	Stem Seal	RTFE



What do you need today?™



Series 20SS/CS FL Ball Valve

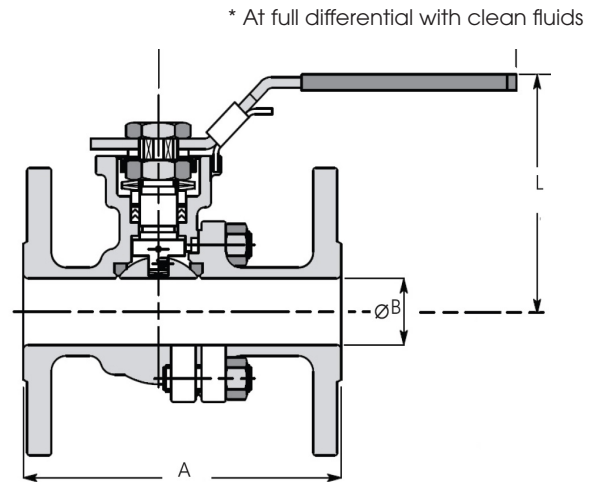
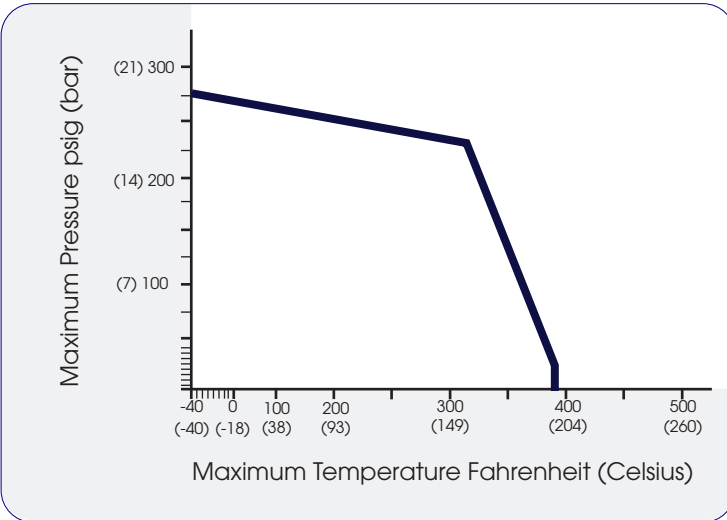
ANSI Class 150 Flange Ball Valve, Full Port
 Sizes 1" ~ 6"



DIMENSIONS, WEIGHT, CV, TORQUE

Size	A		B		D		L		Weight		Cv	Torque* RTFE	
	in.	mm	in.	mm	in.	mm	in.	mm	lbs	kg		lbs	kg
1"	5.00	127	0.98	25	6.30	160	3.03	77	6.22	2.8	85	195	22
1-1/2"	6.50	165	1.58	40	7.33	186	4.10	104	12.94	5.9	200	257	29
2"	7.01	178	1.97	50	7.33	186	4.49	114	19.29	8.7	320	301	34
2-1/2"	7.49	190	2.56	65	12.77	324	5.59	142	28.88	13.1	450	443	50
3"	8.00	203	3.15	80	12.77	324	6.03	153	39.02	17.7	600	664	75
4"	9.02	229	3.94	100	12.77	324	6.54	166	62.39	28.3	1650	885	100
6"	15.52	394	5.91	150	29.55	751	9.73	247	144.84	65.7	2600	2390	270

20SS/CS FL - PRESSURE/TEMPERATURE



Class 150

Note: Maximum pressure & temperature is limited to the seat material rating

20SS/CS FL Series Part Numbers

20SSFL SERIES STAINLESS STEEL		20CSFL SERIES CARBON STEEL	
Size	Part #	Size	Part #
1"	20SSFL05D	1"	20CSFL05D
1-1/2"	20SSFL07D	1-1/2"	20CSFL07D
2"	20SSFL08D	2"	20CSFL08D
2-1/2"	20SSFL09D	2-1/2"	20CSFL09D
3"	20SSFL10D	3"	20CSFL10D
4"	20SSFL11D	4"	20CSFL11D
6"	20SSFL13D	6"	20CSFL13D