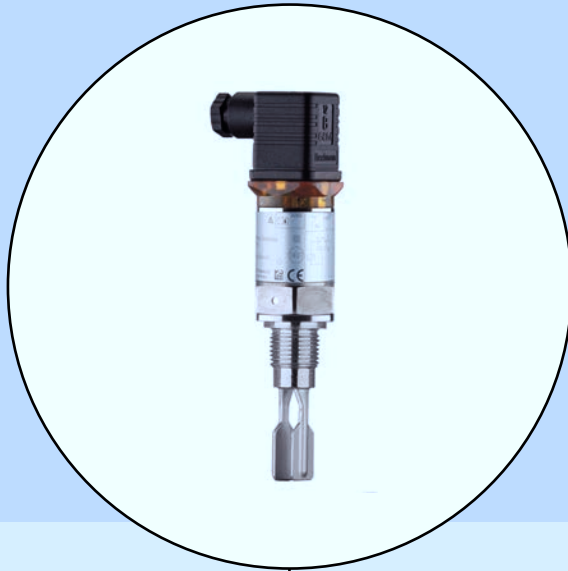


Operating Instructions



LEVEL SWITCH 8110

- transistor (PNP)
With extended status indication

Contents

1	About this document	
1.1	Function	3
1.2	Target group	3
1.3	Symbolism used	3
2	For your safety	
2.1	Authorised personnel	4
2.2	Appropriate use	4
2.3	Warning about incorrect use	4
2.4	General safety instructions	4
2.5	Safety label on the instrument	5
2.6	CE conformity	5
3	Product description	
3.1	Configuration	6
3.2	Principle of operation	7
3.3	Operation	7
3.4	Storage and transport	8
4	Mounting	
4.1	General instructions	9
4.2	Instructions for installation	11
5	Connecting to power supply	
5.1	Preparing the connection	13
5.2	Wiring plan	14
6	Setup	
6.1	Indication of the switching status	18
6.2	Simulation	18
6.3	Function chart	19
7	Maintenance and fault rectification	
7.1	Maintenance	20
7.2	Rectify faults	20
8	Dismounting	
8.1	Dismounting steps	21
8.2	Disposal	21
9	Supplement	
9.1	Technical data	22
9.2	Dimensions	26

Editing status: 2013-03-18

1 About this document

1.1 Function

This operating instructions manual provides all the information you need for mounting, connection and setup as well as important instructions for maintenance and fault rectification. Please read this information before putting the instrument into operation and keep this manual accessible in the immediate vicinity of the device.

1.2 Target group

This operating instructions manual is directed to trained specialist personnel. The contents of this manual should be made available to these personnel and put into practice by them.

1.3 Symbolism used



Information, tip, note

This symbol indicates helpful additional information.



Caution: If this warning is ignored, faults or malfunctions can result.

Warning: If this warning is ignored, injury to persons and/or serious damage to the instrument can result.

Danger: If this warning is ignored, serious injury to persons and/or destruction of the instrument can result.



Ex applications

This symbol indicates special instructions for Ex applications.



List

The dot set in front indicates a list with no implied sequence.



Action

This arrow indicates a single action.



Sequence

Numbers set in front indicate successive steps in a procedure.



Battery disposal

This symbol indicates special information about the disposal of batteries and accumulators.

2 For your safety

2.1 Authorised personnel

All operations described in this operating instructions manual must be carried out only by trained specialist personnel authorised by the plant operator.

During work on and with the device the required personal protective equipment must always be worn.

2.2 Appropriate use

The LEVEL SWITCH 8110 is a sensor for level detection.

You can find detailed information on the application range in chapter "*Product description*".

Operational reliability is ensured only if the instrument is properly used according to the specifications in the operating instructions manual as well as possible supplementary instructions.

For safety and warranty reasons, any invasive work on the device beyond that described in the operating instructions manual may be carried out only by personnel authorised by the manufacturer. Arbitrary conversions or modifications are explicitly forbidden.

2.3 Warning about incorrect use

Inappropriate or incorrect use of the instrument can give rise to application-specific hazards, e.g. vessel overflow or damage to system components through incorrect mounting or adjustment.

2.4 General safety instructions

This is a high-tech instrument requiring the strict observance of standard regulations and guidelines. The user must take note of the safety instructions in this operating instructions manual, the country-specific installation standards as well as all prevailing safety regulations and accident prevention rules.

The instrument must only be operated in a technically flawless and reliable condition. The operator is responsible for trouble-free operation of the instrument.

During the entire duration of use, the user is obliged to determine the compliance of the necessary occupational safety measures with the current valid rules and regulations and also take note of new regulations.

2.5 Safety label on the instrument

The safety approval markings and safety tips on the device must be observed.

2.6 CE conformity

The device fulfills the legal requirements of the applicable EC guidelines. By affixing the CE marking, we confirm successful testing of the product.

You can find the conformity certificate in the download section of our homepage.

3 Product description

3.1 Configuration

MAN 1000082738 ML Version: C Status: RL (released | freigegeben) printed: 05.05.2026

Scope of delivery

The scope of delivery encompasses:

- LEVEL SWITCH 8110 point level switch
- Test magnet
- Documentation
 - this operating instructions manual
 - if necessary, certificates

Constituent parts

The LEVEL SWITCH 8110 consists of the components:

- Housing with electronics
- Process fitting with tuning fork

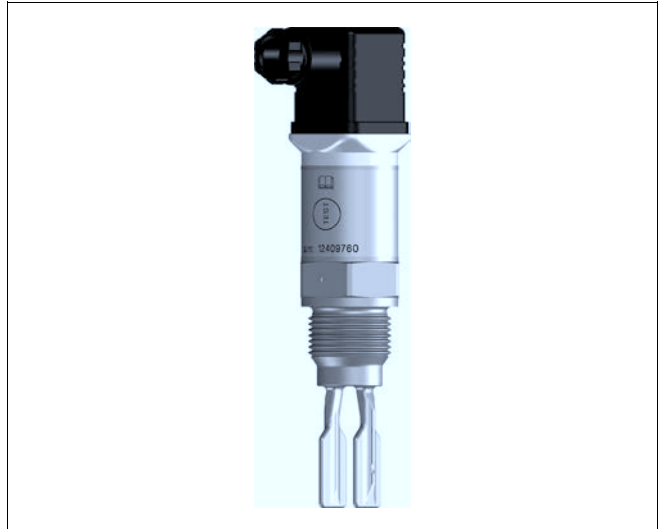


Fig. 1: LEVEL SWITCH 8110

Type plate

The nameplate contains the most important data for identification and use of the instrument:

- Article number
- Serial number
- Technical data
- Article numbers, documentation

Application area**3.2 Principle of operation**

LEVEL SWITCH 8110 is a point level sensor with tuning fork for level detection.

It is designed for industrial use in all areas of process technology and can be used in liquids.

Typical applications are overflow and dry run protection. With a tuning fork of only 38 mm length, LEVEL SWITCH 8110 can be also mounted e.g. in pipelines from DN 25. The small tuning fork allows use in vessels, tanks and pipes. Thanks to its simple and robust measuring system, LEVEL SWITCH 8110 is virtually unaffected by the chemical and physical properties of the liquid.

It functions even under difficult conditions such as turbulence, air bubbles, foam generation, buildup, strong external vibration or changing products.

Function monitoring

The electronics module of LEVEL SWITCH 8110 continuously monitors via frequency evaluation the following criteria:

- Strong corrosion or damage on the tuning fork
- Loss of vibration
- Line break to the piezo drive

If a malfunction is detected or in case of power failure, the electronics takes on a defined switching condition, i.e. the output is open (safe condition).

Functional principle

The tuning fork is piezoelectrically energised and vibrates at its mechanical resonance frequency of approx. 1100 Hz. When the tuning fork is submerged in the product, the frequency changes. This change is detected by the integrated electronics module and converted into a switching command.

Voltage supply

LEVEL SWITCH 8110 is a compact instrument, i.e. it can be operated without external evaluation system. The integrated electronics evaluates the level signal and outputs a switching signal. With this switching signal, a connected device can be operated directly (e.g. a warning system, a pump etc.).

The data for power supply are specified in chapter "*Technical data*".

3.3 Operation

The switching status of LEVEL SWITCH 8110 can be checked with closed housing (signal lamp). Products with a density $> 0.7 \text{ g/cm}^3$ (0.025 lbs/in^3) can be detected.

3.4 Storage and transport

Packaging

Your instrument was protected by packaging during transport. Its capacity to handle normal loads during transport is assured by a test based on ISO 4180.

The packaging of standard instruments consists of environment-friendly, recyclable cardboard. For special versions, PE foam or PE foil is also used. Dispose of the packaging material via specialised recycling companies.

Transport

Transport must be carried out under consideration of the notes on the transport packaging. Nonobservance of these instructions can cause damage to the device.

Transport inspection

The delivery must be checked for completeness and possible transit damage immediately at receipt. Ascertained transit damage or concealed defects must be appropriately dealt with.

Storage

Up to the time of installation, the packages must be left closed and stored according to the orientation and storage markings on the outside.

Unless otherwise indicated, the packages must be stored only under the following conditions:

- Not in the open
 - Dry and dust free
 - Not exposed to corrosive media
 - Protected against solar radiation
 - Avoiding mechanical shock and vibration
-
- Storage and transport temperature see chapter "*Supplement - Technical data - Ambient conditions*"
 - Relative humidity 20 ... 85 %

Storage and transport temperature

4 Mounting

4.1 General instructions

Make sure that all parts of the instrument coming in direct contact with the process, especially the sensor element, process seal and process fitting, are suitable for the existing process conditions, such as process pressure, process temperature as well as the chemical properties of the medium.

You can find the specifications in chapter "*Technical data*" and on the nameplate.

In general, LEVEL SWITCH 8110 can be installed in any position. The instrument only has to be mounted in such a way that the tuning fork is at the height of the desired switching point.

Keep in mind that the switching point can vary dependent on the installation position.

The switching point refers to the medium water ($1 \text{ g/cm}^3/0.036 \text{ lbs/in}^3$). Please keep in mind that the switching point of the instrument shifts when the medium has a density differing from water.

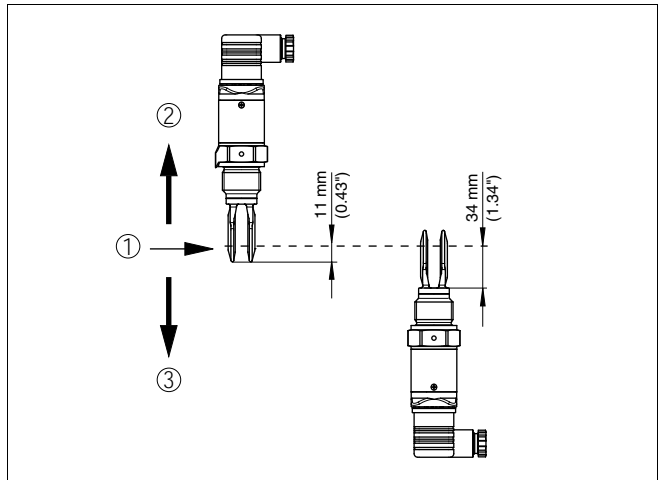


Fig. 2: Mounting vertical

- 1 Switching point in water
- 2 Switching point with lower density
- 3 Switching point with higher density

MAN 1000082738 ML Version: C Status: RL (released for free use) printed 14.05.2026
 suitability for the process conditions

switching point

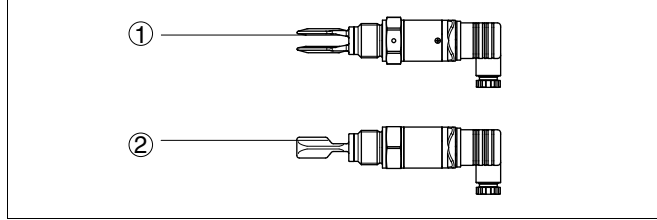
Moisture

Fig. 3: Mounting horizontal

- 1 Switching point
- 2 Switching point (recommended mounting position, particularly for adhesive products)

Use the recommended cables (see chapter "Connecting to power supply") and tighten the cable gland.

You can give your LEVEL SWITCH 8110 additional protection against moisture penetration by leading the connection cable downward in front of the cable entry. Rain and condensation water can thus drain off. This applies mainly to outdoor mounting as well as installation in areas where high humidity is expected (e.g. through cleaning processes) or on cooled or heated vessels.

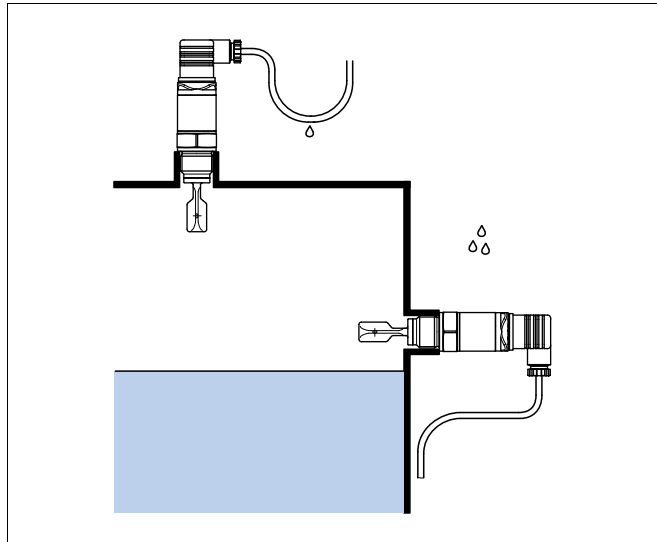


Fig. 4: Measures against moisture penetration

Transport

Do not hold LEVEL SWITCH 8110 on the tuning fork.

MAN 1000082738 ML Version: C Status: RL (released | freigegeben) printed: 14.05.2026

Pressure/Vacuum

The process fitting must be sealed if there is gauge or low pressure in the vessel. Before use, check if the seal material is resistant against the measured product and the process temperature.

The max. permissible pressure is specified in chapter "*Technical data*" or on the type label of the sensor.

Handling

The vibrating level switch is a measuring instrument and must be treated accordingly. Bending the vibrating element will destroy the instrument.



Warning:

The housing must not be used to screw the instrument in! Applying tightening force can damage internal parts of the housing.

Use the hexagon above the thread for screwing in.

Adhesive products

In case of horizontal mounting in adhesive and viscous products, the surfaces of the tuning fork should be vertical in order to reduce buildup on the tuning fork. The position of the tuning fork is indicated by a marking on the hexagon of LEVEL SWITCH 8110. With this, you can check the position of the tuning fork when screwing it in. When the hexagon touches the seal, the thread can still be turned by approx. half a turn. This is sufficient to reach the recommended installation position.

In adhesive and viscous products, the surfaces of the tuning fork should protrude into the vessel to avoid buildup. Therefore sockets for flanges and mountings bosses should not exceed a certain length.

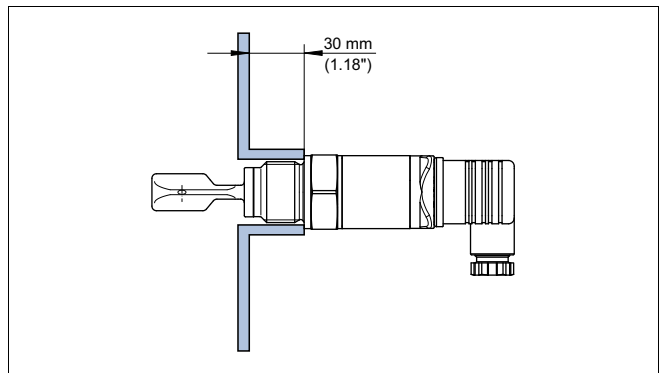


Fig. 5: Adhesive products

Inflowing medium

If LEVEL SWITCH 8110 is mounted in the filling stream, unwanted false measurement signals can be generated. For this reason, mount LEVEL SWITCH 8110 at a position in the vessel where no disturbances, e.g. from filling openings, agitators, etc., can occur.

Flows

To make sure the tuning fork of LEVEL SWITCH 8110 generates as little resistance as possible to product flow, mount the sensor so that the surfaces are parallel to the product movement.

5 Connecting to power supply

5.1 Preparing the connection

MAN 1000082738 ML Version: C Status: PL (released | freigegeben) | printed: 14.05.2026

Note safety instructions

Always keep in mind the following safety instructions:

- Connect only in the complete absence of line voltage

Connection cable

The instrument is connected with standard two-wire cable without screen. If electromagnetic interference is expected which is above the test values of EN 61326 for industrial areas, screened cable should be used.

Use cable with round cross section. Depending on the plug connection, you have to select the outer diameter of the cable respectively so that the seal effect of the cable gland is ensured.

- Valve plug ISO 4400, \varnothing 4.5 ... 7 mm
- Valve plug ISO 4400 with IDC crimping technology, \varnothing 5.5 ... 8 mm

Cable glands

Use cable with a round wire cross section and tighten the cable gland.

When mounting outdoors, on cooled vessels or in moist areas in which cleaning is made with steam or high pressure, the sealing of the cable gland is very important.

5.2 Wiring plan

Wiring overview

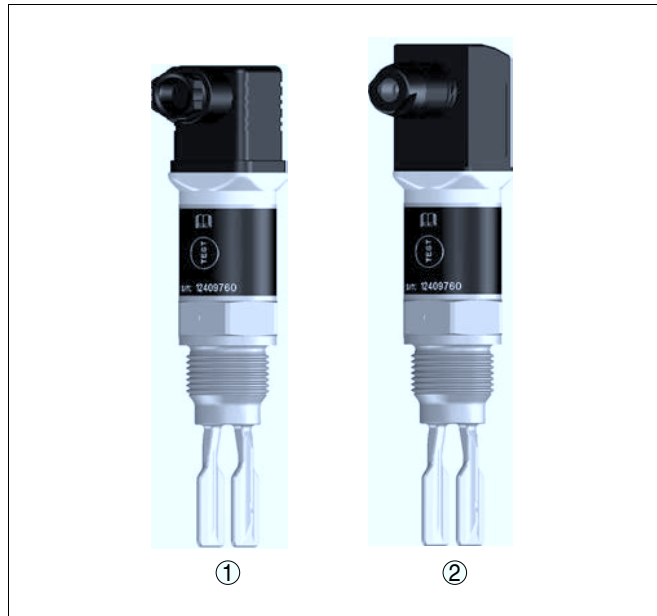


Fig. 6: Overview of the connection versions

- 1 M12 x 1 plug connection
- 2 Valve plug ISO 4400
- 3 Valve plug ISO 4400 with IDC method of termination

Plug versions

M12 x 1 plug connection

This plug connection requires a preconfected cable with plug.
Protection IP 66/IP 67.

Valve plug ISO 4400

For this plug version, standard cable with round wire cross-section can be used. Cable diameter 4.5 ... 7 mm, protection IP 65.

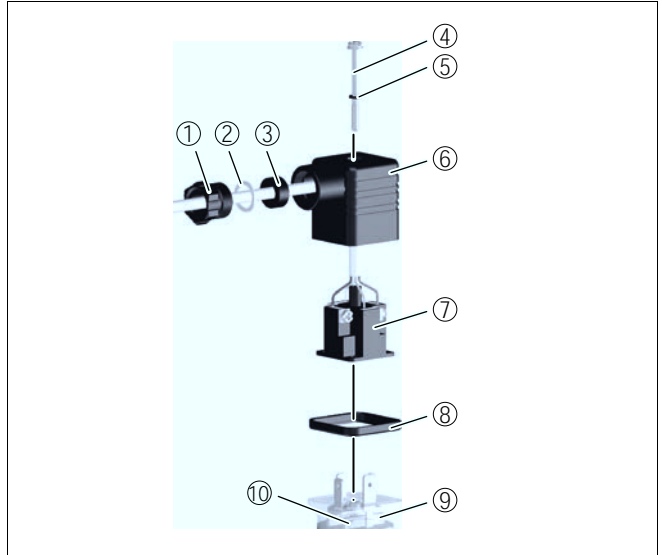


Fig. 7: Connection, valve plug ISO 4400

- 1 Pressure screw
- 2 Pressure disc
- 3 Seal ring
- 4 Fixing screw
- 5 Seal washer
- 6 Plug housing
- 7 Plug insert
- 8 Profile seal
- 9 Control lamp
- 10 LEVEL SWITCH 8110

Valve plug ISO 4400 with IDC method of termination

For this plug version you can use standard cable with round wire cross-section. The inner conductors do not have to be stripped. The plug connects the conductors automatically when screwing in. Cable diameter 5.5 ... 8 mm, protection IP 67.

MAN 1000082738 ML Version: C Status: RL (released | freigegeben) printed: 14.05.2026

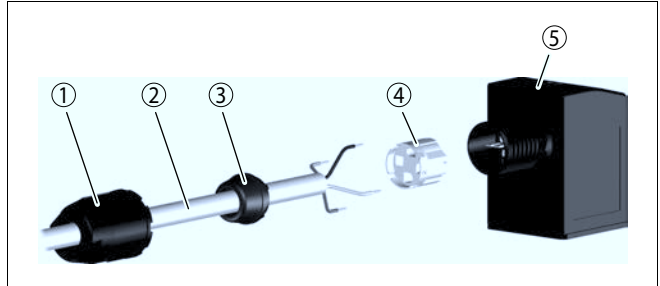


Fig. 8: Connection, valve plug ISO 4400 with IDC crimping technology

- 1 Compression nut
- 2 Cable
- 3 Seal ring
- 4 Terminal insert
- 5 Plug housing

Transistor output

For connection to binary inputs of a PLC.

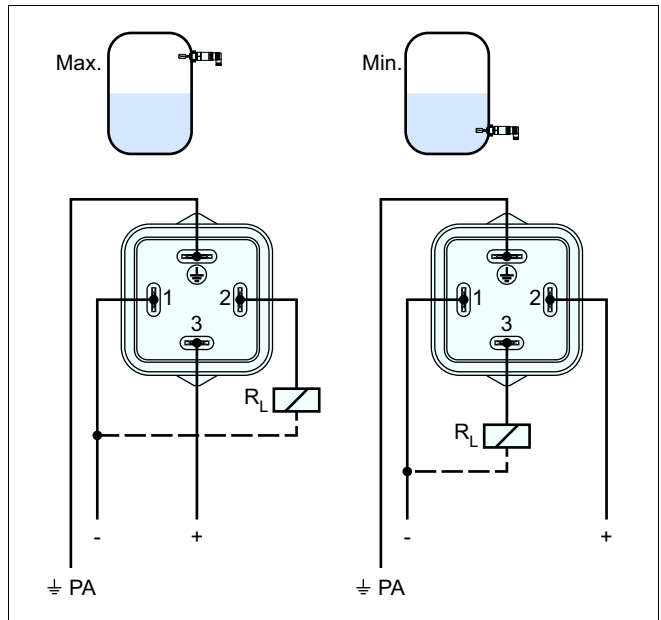


Fig. 9: Wiring plan, Transistor output with valve plug ISO 4400

- PA Potential equalisation
 R_L Load resistance (contactor, relay, etc.)

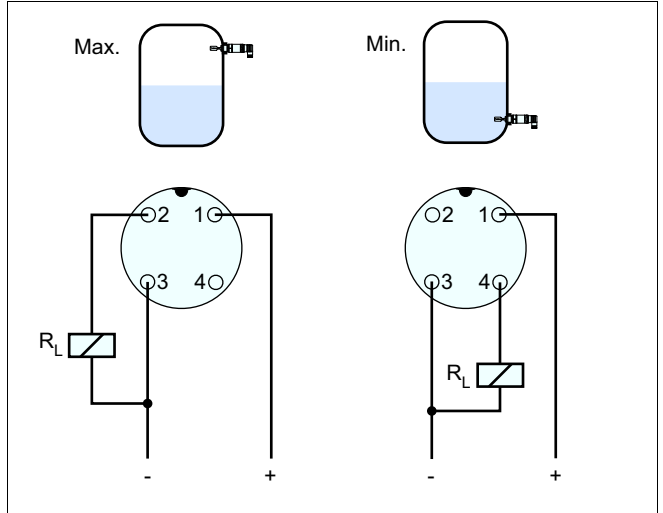


Fig. 10: Wiring plan (housing), transistor output with M12 x 1 plug connection

- 1 Brown
- 2 White
- 3 Blue
- 4 Black
- R_L Load resistance (contactor, relay, etc.)

6 Setup

6.1 Indication of the switching status

The switching status of the electronics can be checked via the signal lamps (LEDs) integrated in the upper part of the housing.

The signal lamps have the following meaning:

- Green lights - voltage supply connected
- Yellow lights - vibrating element covered
- Red lights briefly - function test during instrument start (for 0.5 s)
- Red lights - shortcircuit or overload in the load circuit (sensor output high-impedance)
- Red flashes - Error on the vibrating element or the electronics (sensor output high impedance)

6.2 Simulation

The LEVEL SWITCH 8110 has an integrated function for simulation of the output signal which can be activated magnetically. Please proceed as follows:

- Hold the test magnet (accessory) against the circle symbol with the label "TEST" on the instrument housing

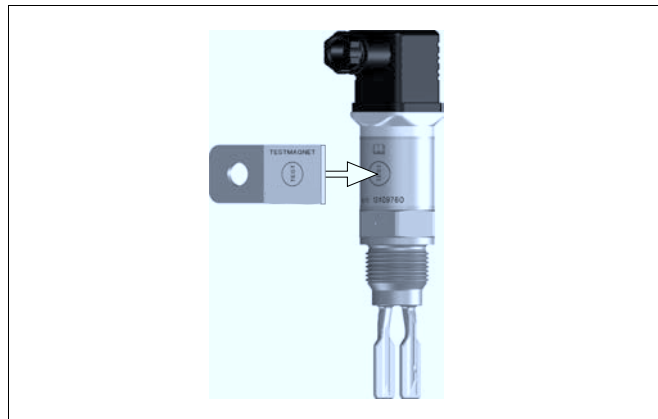


Fig. 11: Simulation of the output signal

The test magnet changes the current switching condition of the instrument. You can check the change on the signal lamp. Please note that all connected device are activated during the simulation.

If LEVEL SWITCH 8110 does not switch over after several tests with the test magnet, you have to check the plug connection and the connection cable and try it again. If there is no switching function, the electronics will be defective. In this case you have to exchange the electronics or return the instrument to our repair department.



Caution:

It is absolutely necessary that you remove the test magnet from the instrument housing after the simulation.

6.3 Function chart

The following chart provides an overview of the switching conditions depending on the set mode and the level.

	Level	Switching status	Control lamp Yellow - coverage	Control lamp Green - voltage indication	Control lamp Red - fault signal
Mode max.		closed	○		○
Mode max.		open			○
Mode min.		closed			○
Mode min.		open	○		○
Failure	any	open	any		

MAN 1000002738 ML Version: C Status: RL (released / freigegeben) printed: 14.05.2026

7 Maintenance and fault rectification

7.1 Maintenance

If the instrument is used properly, no special maintenance is required in normal operation.

7.2 Rectify faults

The operator of the system is responsible for taking suitable measures to rectify faults.

LEVEL SWITCH 8110 offers maximum reliability. Nevertheless, faults can occur during operation. These may be caused by the following, e. g.:

- Sensor
- Process
- Voltage supply
- Signal processing

The first measure to be taken is to check the output signal. In many cases, the causes can be determined this way and the faults rectified.

Error	Cause	Rectification
Green signal lamp off	Voltage supply interrupted.	Check the voltage supply and the cable connection
	Electronics defective	Exchange the instrument or send it in for repair
Red signal lamp lights (switching output high-impedance)	Error with the electrical connection	Connect the instrument according to the wiring plan
	Shortcircuit or overload	Check the electrical connection
Red signal lamp flashes (switching output high-impedance)	Vibrating frequency out of specification	Check the vibrating element on build-up and remove it
	Buildup on the vibrating element	Check the vibrating element and the sensor if there is buildup and remove it
	Vibrating element damaged	Check if the vibrating element is damaged or extremely corroded

Reaction when malfunctions occur

Fault reasons

Fault rectification

Checking the switching signal

Reaction after fault rectification

Depending on the reason for the fault and the measures taken, the steps described in chapter "Set up" may have to be carried out again.

8 Dismounting

8.1 Dismounting steps

**Warning:**

Before dismounting, be aware of dangerous process conditions such as e.g. pressure in the vessel, high temperatures, corrosive or toxic products etc.

Take note of chapters "*Mounting*" and "*Connecting to power supply*" and carry out the listed steps in reverse order.

8.2 Disposal

The instrument consists of materials which can be recycled by specialised recycling companies. We use recyclable materials and have designed the parts to be easily separable.

WEEE directive 2002/96/EG

This instrument is not subject to the WEEE directive 2002/96/EG and the respective national laws. Pass the instrument directly on to a specialised recycling company and do not use the municipal collecting points. These may be used only for privately used products according to the WEEE directive.

Correct disposal avoids negative effects on humans and the environment and ensures recycling of useful raw materials.

Materials: see chapter "*Technical data*"

If you have no way to dispose of the old instrument properly, please contact us concerning return and disposal.

9 Supplement

9.1 Technical data

General data

Material 316L corresponds to 1.4404 or 1.4435

Materials, wetted parts

- Tuning fork 316L
- Process seal Klingersil C-4400
- Process fittings 316L

Materials, non-wetted parts

- Housing 316L and plastic PEI

Weight approx. 250 g (9 oz)

Process fittings

- Pipe thread, cylindrical (DIN 3852-A) G½ A, G¾ A, G1 A
- American pipe thread, conical (ASME B1.20.1) ½ NPT, ¾ NPT, 1 NPT
- Hygienic fittings Clamp 1", Clamp 1½", Clamp 2" PN 16 DIN 32676, ISO 2852/316L, bolting DN 25 PN 40, bolting DN 40 PN 40, bolting DN 50 PN 25, SMS DN 38 PN 6

Max. torque - process fitting

- Thread G½ A, ½ NPT 50 Nm (37 lbf ft)
- Thread G¾ A, ¾ NPT 75 Nm (55 lbf ft)
- Thread G1 A, 1 NPT 100 Nm (73 lbf ft)

Surface quality

- Standard $R_a < 3.2 \mu\text{m}$ (1.26^{-4} in)
- Hygienic version $R_a < 0.8 \mu\text{m}$ (3.15^{-5} in)

Measuring accuracy

- Hysteresis approx. 2 mm (0.08 in) with vertical installation
- Switching delay approx. 500 ms (on/off)
- Measuring frequency approx. 1100 Hz

Ambient conditions

- Ambient temperature on the housing -40 ... +70 °C (-40 ... +158 °F)
- Storage and transport temperature -40 ... +80 °C (-40 ... +176 °F)

Process conditions

- Process pressure -1 ... 64 bar/-100 ... 6400 kPa (-14.5 ... 928 psig)
- Process temperature - Standard -40 ... +100 °C (-40 ... +212 °F)

Operation

Plug connections	Specification see " <i>Connecting to power supply</i> "
Signal lamps (LED)	
– Green	Voltage supply on
– Yellow	Vibrating element covered
– Red	Failure

Output variable

Output	Transistor output PNP
Load current	max. 250 mA (output, permanently short-circuit proof)
Voltage loss	< 3 V
Switching voltage	< 34 V DC
Blocking current	< 10 µA
Mode	
– Min./Max.	Changeover by electronic connection
– Max.	Overflow protection
– Min.	Dry run protection

Voltage supply

Operating voltage	9.6 ... 35 V DC
Power consumption	max. 0.5 W

Electromechanical data

Valve plug ISO 4400	
– Wire cross-section	1.5 mm ² (0.06 in ²)
– Outer cable diameter	4.5 ... 7 mm (0.18 ... 0.28 in)
Valve plug ISO 4400 with IDC method of termination	
– Wire cross-section	for wire cross-section of 0.5 ... 1 mm ² (0.02 ... 0.04 in ²)
– Single-wire diameter	> 0.1 mm (0.004 in)
– Wire diameter	1.6 ... 2 mm ² (0.06 ... 0.08 in ²)
– Outer cable diameter	5.5 ... 8 mm (0.22 ... 0.31 in)
– Connection frequency	10 x (on the same cross-section)

Electrical protective measures

Protection rating	
– Valve plug ISO 4400	IP 65
– Valve plug ISO 4400 with IDC method of termination	IP 67
– M12 x 1 plug connection	IP 66/IP 67

MAN 1000082738 ML Version: C Status: RL (released | freigegeben) printed: 14.05.2016
voltage category III
protection class II

LEVEL SWITCH 8110, standard version - thread G $\frac{3}{4}$ A, G1 A / $\frac{3}{4}$ NPT, 1 NPT

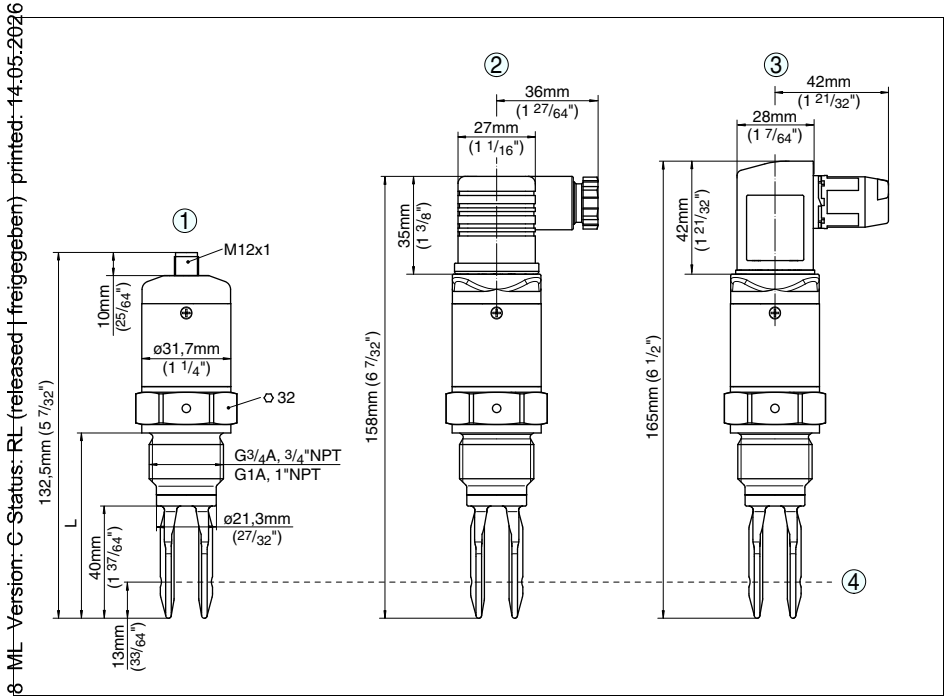


Fig. 33: LEVEL SWITCH 8110, standard version - thread G $\frac{3}{4}$ A, G1 A / $\frac{3}{4}$ NPT, 1 NPT

Thread G $\frac{3}{4}$ A, G1 A (DIN ISO 228/1), $\frac{3}{4}$ NPT or 1 NPT (M12 x 1)²⁾

Thread G $\frac{3}{4}$ A, G1 A (DIN ISO 228/1), $\frac{3}{4}$ NPT or 1 NPT (valve plug ISO 4400)

Thread G $\frac{3}{4}$ A, G1 A (DIN ISO 228/1), $\frac{3}{4}$ NPT or 1 NPT (valve plug ISO 4400 with IDC crimping technology)

Switching point

Length with G $\frac{3}{4}$ A, $\frac{3}{4}$ NPT: 66 mm (2.6 in)

L Length with G1 A, 1 NPT: 69 mm (2.7 in)

²⁾ Keep in mind that the total length is extended by the plug connection.

MAN 100008738-ML- Version: C Status: RL (released | freigegeben) printed: 14.05.2026

LEVEL SWITCH 8110, high temperature version

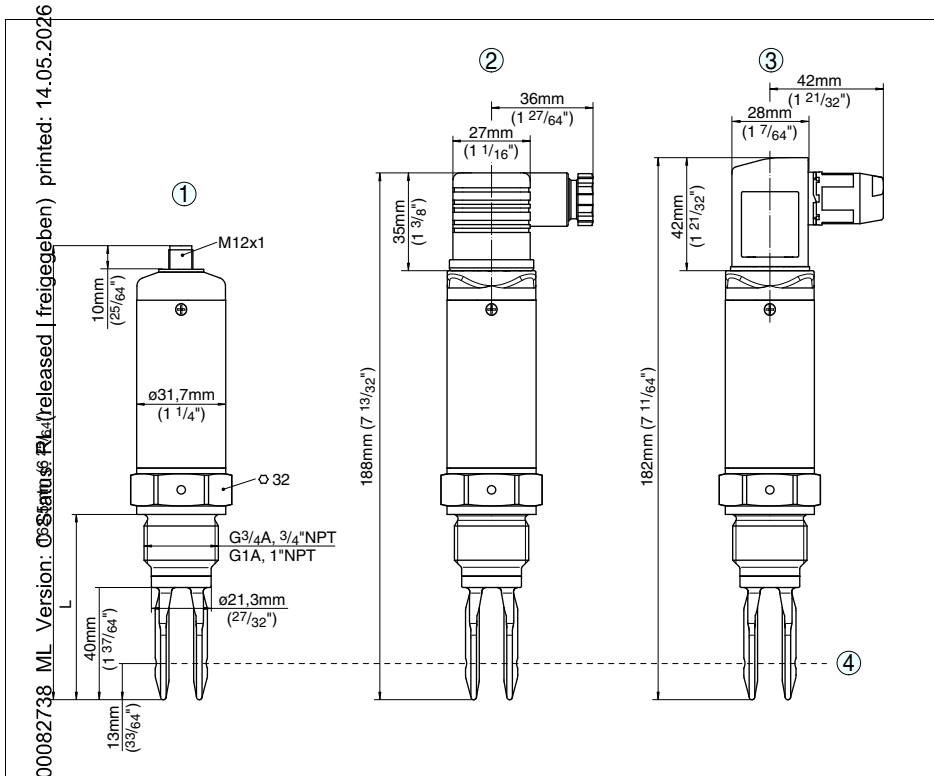


Fig. 34: LEVEL SWITCH 8110, high temperature version

- 1 Thread G $\frac{3}{4}$ A, G1 A (DIN ISO 228/1), $\frac{3}{4}$ NPT or 1 NPT (M12 x 1)³⁾
 2 Thread G $\frac{3}{4}$ A, G1 A (DIN ISO 228/1), $\frac{3}{4}$ NPT or 1 NPT (valve plug ISO 4400)
 3 Thread G $\frac{3}{4}$ A (DIN ISO 228/1), $\frac{3}{4}$ NPT or 1 NPT (valve plug ISO 4400 with IDC method of termination)
 4 Switching point
 L Length with G $\frac{3}{4}$ A, $\frac{3}{4}$ NPT: 66 mm (2.6 in)
 L Length with G1 A, 1 NPT: 69 mm (2.7 in)

³⁾ Keep in mind that the total length is extended by the plug connection.

LEVEL SWITCH 8110, hygienic versions

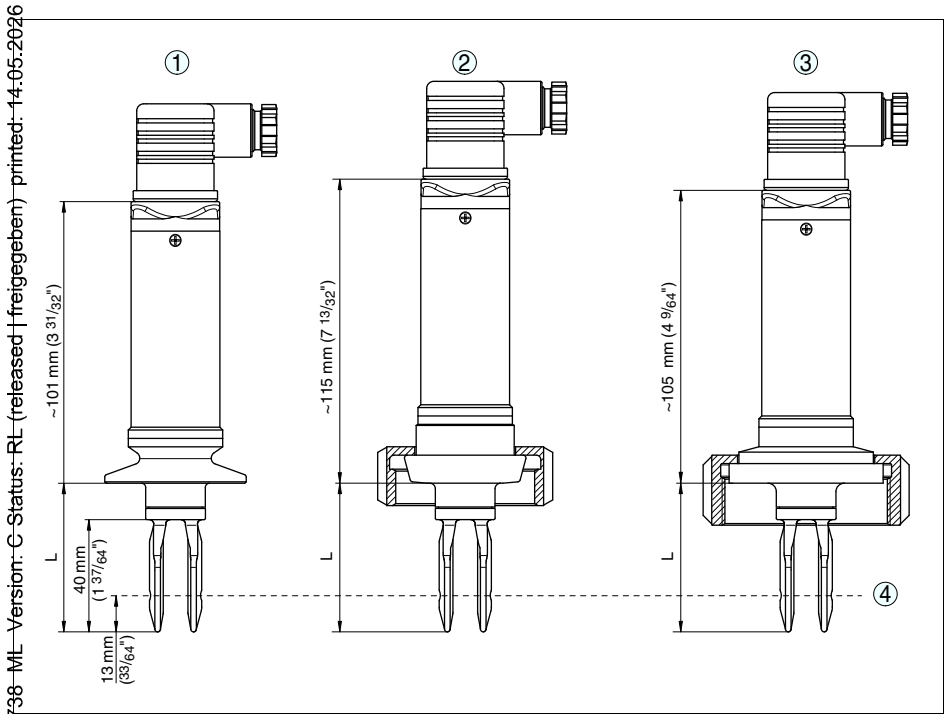


Fig. 35: LEVEL SWITCH 8110, hygienic versions

Clamp (valve plug ISO 4400)

Bolting (valve plug ISO 4400)

SMS 1145 (valve plug ISO 4400)

Switching point

L Length with Tri-Clamp: 53 mm (2.1 in)

L Length with bolting: 53 mm (2.1 in)

L Length with SMS 1145: 53 mm (2.1 in)

MAN 1000082738 ML Version: C Status: RL (released | freigegeben) printed: 14.05.2026

MAN 1000082738 ML Version: C Status: RL (released | freigegeben) printed: 14.05.2026

The smart choice
of Fluid Control Systems
www.burkert.com


FLUID CONTROL SYSTEMS

41764-EN-130410

Bedienungsanleitung



LEVEL SWITCH 8110

- Transistor (PNP)

Inhaltsverzeichnis

1000082738 ML Version: C Status: RL (released) freigegeben printed: 14.05.2026	1 Zu diesem Dokument	
	1.1	Funktion 3
	1.2	Zielgruppe 3
	1.3	Verwendete Symbolik 3
	2 Zu Ihrer Sicherheit	
	2.1	Autorisiertes Personal 4
	2.2	Bestimmungsgemäße Verwendung 4
	2.3	Warnung vor Fehlgebrauch 4
	2.4	Allgemeine Sicherheitshinweise 4
	2.5	Sicherheitskennzeichen am Gerät 4
	2.6	CE-Konformität 5
	3 Produktbeschreibung	
	3.1	Aufbau 6
3.2	Arbeitsweise 6	
3.3	Bedienung 7	
3.4	Lagerung und Transport 7	
4 Montieren		
4.1	Allgemeine Hinweise 9	
4.2	Montagehinweise 11	
5 An die Spannungsversorgung anschließen		
5.1	Anschluss vorbereiten 13	
5.2	Anschlussplan 14	
6 In Betrieb nehmen		
6.1	Schaltzustandsanzeige 18	
6.2	Simulation 18	
6.3	Funktionstabelle 19	
7 Instandhalten und Störungen beseitigen		
7.1	Wartung 20	
7.2	Störungen beseitigen 20	
8 Ausbauen		
8.1	Ausbauschrte 21	
8.2	Entsorgen 21	
9 Anhang		
9.1	Technische Daten 22	
9.2	Maße 25	

1 Zu diesem Dokument

1.1 Funktion

Die vorliegende Betriebsanleitung liefert Ihnen die erforderlichen Informationen für Montage, Anschluss und Inbetriebnahme sowie wichtige Hinweise für Wartung und Störungsbeseitigung. Lesen Sie diese deshalb vor der Inbetriebnahme und bewahren Sie sie als Produktbestandteil in unmittelbarer Nähe des Gerätes jederzeit zugänglich auf.

1.2 Zielgruppe

Diese Betriebsanleitung richtet sich an ausgebildetes Fachpersonal. Der Inhalt dieser Anleitung muss dem Fachpersonal zugänglich gemacht und umgesetzt werden.

1.3 Verwendete Symbolik



Information, Tipp, Hinweis

Dieses Symbol kennzeichnet hilfreiche Zusatzinformationen.



Vorsicht: Bei Nichtbeachten dieses Warnhinweises können Störungen oder Fehlfunktionen die Folge sein.

Warnung: Bei Nichtbeachten dieses Warnhinweises kann ein Personenschaden und/oder ein schwerer Geräteschaden die Folge sein.

Gefahr: Bei Nichtbeachten dieses Warnhinweises kann eine ernsthafte Verletzung von Personen und/oder eine Zerstörung des Gerätes die Folge sein.



Ex-Anwendungen

Dieses Symbol kennzeichnet besondere Hinweise für Ex-Anwendungen.

- **Liste**

Der vorangestellte Punkt kennzeichnet eine Liste ohne zwingende Reihenfolge.

- **Handlungsschritt**

Dieser Pfeil kennzeichnet einen einzelnen Handlungsschritt.

- 1 **Handlungsfolge**

Vorangestellte Zahlen kennzeichnen aufeinander folgende Handlungsschritte.



Batterieentsorgung

Dieses Symbol kennzeichnet besondere Hinweise zur Entsorgung von Batterien und Akkus.

2 Zu Ihrer Sicherheit

2.1 Autorisiertes Personal

Sämtliche in dieser Betriebsanleitung beschriebenen Handhabungen dürfen nur durch ausgebildetes und vom Anlagenbetreiber autorisiertes Fachpersonal durchgeführt werden.

Bei Arbeiten am und mit dem Gerät ist immer die erforderliche persönliche Schutzausrüstung zu tragen.

2.2 Bestimmungsgemäße Verwendung

Der LEVEL SWITCH 8110 ist ein Sensor zur Grenzstanderfassung. Detaillierte Angaben zum Anwendungsbereich finden Sie im Kapitel "Produktbeschreibung".

Die Betriebssicherheit des Gerätes ist nur bei bestimmungsgemäßer Verwendung entsprechend den Angaben in der Betriebsanleitung sowie in den evtl. ergänzenden Anleitungen gegeben.

Eingriffe über die in der Betriebsanleitung beschriebenen Handhabungen hinaus dürfen aus Sicherheits- und Gewährleistungsgründen nur durch vom Hersteller autorisiertes Personal vorgenommen werden. Eigenmächtige Umbauten oder Veränderungen sind ausdrücklich untersagt.

2.3 Warnung vor Fehlgebrauch

Bei nicht sachgerechter oder nicht bestimmungsgemäßer Verwendung können von diesem Gerät anwendungsspezifische Gefahren ausgehen, so z. B. ein Überlauf des Behälters oder Schäden an Anlagenteilen durch falsche Montage oder Einstellung.

2.4 Allgemeine Sicherheitshinweise

Das Gerät entspricht dem Stand der Technik unter Beachtung der üblichen Vorschriften und Richtlinien. Durch den Anwender sind die Sicherheitshinweise in dieser Betriebsanleitung, die landesspezifischen Installationsstandards sowie die geltenden Sicherheitsbestimmungen und Unfallverhütungsvorschriften zu beachten.

Das Gerät darf nur in technisch einwandfreiem und betriebssicheren Zustand betrieben werden. Der Betreiber ist für den störungsfreien Betrieb des Gerätes verantwortlich.

Der Betreiber ist ferner verpflichtet, während der gesamten Einsatzdauer die Übereinstimmung der erforderlichen Arbeitssicherheitsmaßnahmen mit dem aktuellen Stand der jeweils geltenden Regelwerke festzustellen und neue Vorschriften zu beachten.

2.5 Sicherheitskennzeichen am Gerät

Die auf dem Gerät angebrachten Sicherheitskennzeichen und -hinweise sind zu beachten.

2.6 CE-Konformität

Das Gerät erfüllt die gesetzlichen Anforderungen der zutreffenden EG-Richtlinien. Mit dem CE-Zeichen bestätigen wir die erfolgreiche Prüfung.

Die CE-Konformitätserklärung finden Sie im Downloadbereich unserer Homepage.

3 Produktbeschreibung

3.1 Aufbau

Der Lieferumfang besteht aus:

- Grenzstandsensoren LEVEL SWITCH 8110
- Prüfmagnet
- Dokumentation
 - Dieser Betriebsanleitung
 - Ggf. Bescheinigungen

Der LEVEL SWITCH 8110 besteht aus den Komponenten:

- Gehäuse mit Elektronik
- Prozessanschluss mit Schwinggabel



Abb. 1: LEVEL SWITCH 8110

Das Typschild enthält die wichtigsten Daten zur Identifikation und zum Einsatz des Gerätes:

- Artikelnummer
- Seriennummer
- Technische Daten
- Artikelnummern Dokumentation

3.2 Arbeitsweise

Der LEVEL SWITCH 8110 ist ein Grenzstandsensoren mit Schwinggabel zur Grenzstanderfassung.

Er ist konzipiert für industrielle Einsätze in allen Bereichen der Verfahrenstechnik und kann in Flüssigkeiten eingesetzt werden.

Typische Anwendungen sind Überlauf- und Trockenlaufschutz. Mit der nur 38 mm langen Schwinggabel kann der LEVEL SWITCH 8110 z. B. auch in Rohrleitungen ab DN 25 montiert werden. Die kleine Schwinggabel gestattet den Einsatz in Behältern, Tanks und Rohren. Durch sein einfaches und robustes Messsystem lässt sich der LEVEL SWITCH 8110 nahezu unabhängig von den chemischen und physikalischen Eigenschaften der Flüssigkeit einsetzen.

Lieferumfang
 Komponenten
 Typschild
 Anwendungsbereich

MAN 100082738 ML Version: C Status: RL (released | freigegeben) printed: 14.06.2026

41764-DE-130710

Funktionsprinzip

Spannungsversorgung

Verpackung

Transport

Transportinspektion

Er arbeitet auch unter schwierigen Messbedingungen wie Turbulenzen, Luftblasen, Schaumbildung, Anhaftungen, starken Fremdvibrationen oder wechselndem Füllgut.

Funktionsüberwachung

Der Elektronikeinsatz des LEVEL SWITCH 8110 überwacht über die Frequenzauswertung kontinuierlich folgende Kriterien:

- Starke Korrosion oder Beschädigung der Schwinggabel
- Ausfall der Schwingung
- Leitungsbruch zum Piezoantrieb

Wird eine Funktionsstörung erkannt oder fällt die Spannungsversorgung aus, so nimmt die Elektronik einen definierten Schaltzustand an, d. h. der Ausgang ist geöffnet (sicherer Zustand).

Die Schwinggabel wird piezoelektrisch angetrieben und schwingt auf ihrer mechanischen Resonanzfrequenz von ca. 1100 Hz. Wird die Schwinggabel mit Füllgut bedeckt, ändert sich die Frequenz. Diese Änderung wird vom eingebauten Elektronikeinsatz erfasst und in einen Schaltbefehl umgewandelt.

Der LEVEL SWITCH 8110 ist ein Kompaktgerät, d. h. er kann ohne externe Auswertung betrieben werden. Die integrierte Elektronik wertet das Füllstandsignal aus und stellt ein Schaltsignal zur Verfügung. Mit diesem Schaltsignal können Sie ein nachgeschaltetes Gerät direkt betätigen (z. B. eine Warneinrichtung, eine Pumpe etc.).

Die Daten für die Spannungsversorgung finden Sie im Kapitel "*Technische Daten*".

3.3 Bedienung

Der Schaltzustand des LEVEL SWITCH 8110 kann bei geschlossenem Gehäuse kontrolliert werden (Kontrollleuchte). Es können Füllgüter mit Dichte $> 0,7 \text{ g/cm}^3$ (0.025 lbs/in^3) detektiert werden.

3.4 Lagerung und Transport

Ihr Gerät wurde auf dem Weg zum Einsatzort durch eine Verpackung geschützt. Dabei sind die üblichen Transportbeanspruchungen durch eine Prüfung in Anlehnung an ISO 4180 abgesichert.

Bei Standardgeräten besteht die Verpackung aus Karton, ist umweltverträglich und wieder verwertbar. Bei Sonderausführungen wird zusätzlich PE-Schaum oder PE-Folie verwendet. Entsorgen Sie das anfallende Verpackungsmaterial über spezialisierte Recyclingbetriebe.

Der Transport muss unter Berücksichtigung der Hinweise auf der Transportverpackung erfolgen. Nichtbeachtung kann Schäden am Gerät zur Folge haben.

Die Lieferung ist bei Erhalt unverzüglich auf Vollständigkeit und eventuelle Transportschäden zu untersuchen. Festgestellte Transportschäden oder verdeckte Mängel sind entsprechend zu behandeln.

Lagerung

Die Packstücke sind bis zur Montage verschlossen und unter Beachtung der außen angebrachten Aufstell- und Lagermarkierungen aufzubewahren.

Packstücke, sofern nicht anders angegeben, nur unter folgenden Bedingungen lagern:

- Nicht im Freien aufbewahren
- Trocken und staubfrei lagern
- Keinen aggressiven Medien aussetzen
- Vor Sonneneinstrahlung schützen
- Mechanische Erschütterungen vermeiden

Lager- und Transporttemperatur

- Lager- und Transporttemperatur siehe Kapitel "*Anhang - Technische Daten - Umgebungsbedingungen*"
- Relative Luftfeuchte 20 ... 85 %

MAN 1000082738 ML Version: C Status: RL (released | released) printed: 14.05.2026
leben)

4 Montieren

4.1 Allgemeine Hinweise

Stellen Sie sicher, dass sämtliche, im Prozess befindlichen Teile des Gerätes, insbesondere Sensorelement, Prozessdichtung und Prozessanschluss für die auftretenden Prozessbedingungen geeignet sind. Dazu zählen insbesondere Prozessdruck, Prozesstemperatur sowie die chemischen Eigenschaften der Medien.

Die Angaben dazu finden Sie im Kapitel "Technische Daten" und auf dem Typschild.

Grundsätzlich kann der LEVEL SWITCH 8110 in jeder beliebigen Lage eingebaut werden. Das Gerät muss lediglich so montiert werden, dass sich die Schwinggabel auf Höhe des gewünschten Schaltpunktes befindet.

Beachten Sie, dass der Schaltpunkt je nach Einbaulage variiert.

Der Schaltpunkt bezieht sich auf das Füllgut Wasser (1 g/cm³/0.036 lbs/in³). Beachten Sie, dass sich der Schaltpunkt des Gerätes verschiebt, wenn das Füllgut eine von Wasser abweichende Dichte hat.

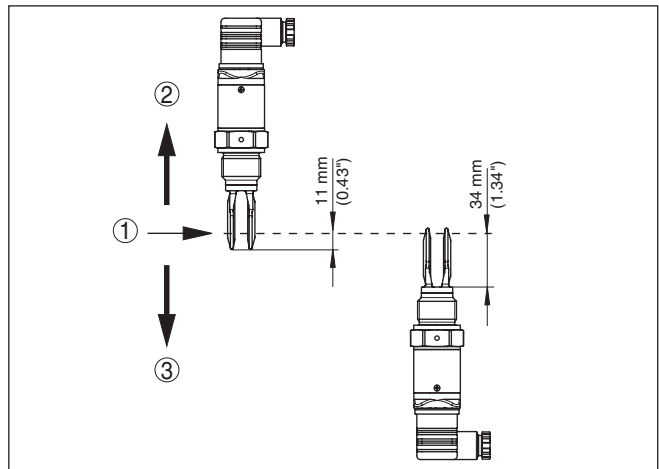


Abb. 2: Montage senkrecht

- 1 Schaltpunkt in Wasser
- 2 Schaltpunkt bei geringerer Dichte
- 3 Schaltpunkt bei höherer Dichte

MAN 1000082738 ML Version: C Status: RL (released | freigegeben) printed: 16.08.2026
 Eignung für die Prozessbedingungen

Schaltpunkt

Feuchtigkeit

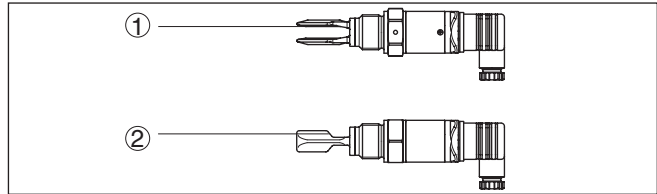


Abb. 3: Montage waagrecht

- 1 Schaltpunkt
- 2 Schaltpunkt (empfohlene Einbaulage, vor allem für anhaftende Füllgüter)

Verwenden Sie die empfohlenen Kabel (siehe Kapitel "An die Spannungsversorgung anschließen") und ziehen Sie die Kabelverschraubung fest an.

Sie schützen Ihren LEVEL SWITCH 8110 zusätzlich gegen das Eindringen von Feuchtigkeit, indem Sie das Anschlusskabel vor der Kabelverschraubung nach unten führen. Regen- und Kondenswasser können so abtropfen. Dies gilt vor allem bei Montage im Freien, in Räumen, in denen mit Feuchtigkeit zu rechnen ist (z. B. durch Reinigungsprozesse) oder an gekühlten bzw. beheizten Behältern.

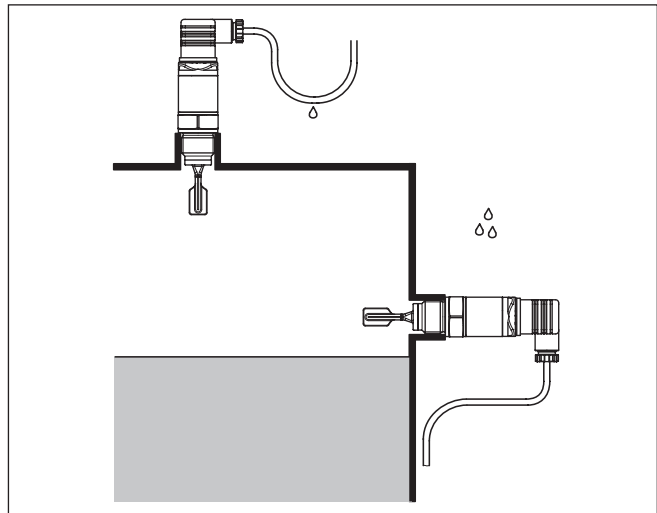


Abb. 4: Maßnahmen gegen das Eindringen von Feuchtigkeit

Transport

Halten Sie den LEVEL SWITCH 8110 nicht an der Schwinggabel.

Druck/Vakuum

Bei Über- oder Unterdruck im Behälter müssen Sie den Prozessanschluss abdichten. Prüfen Sie vor dem Einsatz, ob das Dichtungsmaterial gegenüber dem Füllgut und der Prozesstemperatur beständig ist.

Den maximal zulässigen Druck können Sie dem Kapitel "Technische Daten" oder dem Typschild des Sensors entnehmen.

Handhabung

Der Vibrationsgrenzschalter ist ein Messgerät und muss entsprechend behandelt werden. Ein Verbiegen des Schwingelements führt zur Zerstörung des Gerätes.



Warnung:

Das Gehäuse darf nicht zum Einschrauben verwendet werden! Das Festziehen kann Schäden an der Drehmechanik des Gehäuses verursachen.

Verwenden Sie zum Einschrauben den Sechskant oberhalb des Gewindes.

4.2 Montagehinweise

Für Gewindeausführungen des LEVEL SWITCH 8110 in Kombination mit einem Einschweißstutzen mit vornliegendem O-Ring und Einschweißmarkierung.

LEVEL SWITCH 8110 mit den Gewindegrößen 3/4" und 1" haben einen definierten Gewindeauslauf. Das bedeutet, dass sich jeder LEVEL SWITCH 8110 nach dem Einschrauben immer in derselben Stellung befindet. Entfernen Sie deshalb die mitgelieferte Flachdichtung vom Gewinde des LEVEL SWITCH 8110. Diese Flachdichtung wird bei Verwendung des Einschweißstutzens mit frontbündiger Dichtung nicht benötigt.

Vor dem Einschweißen müssen Sie den LEVEL SWITCH 8110 herausschrauben und den Gummiring aus dem Einschweißstutzen herausnehmen.

Der Einschweißstutzen ist bereits mit einer Markierungskerbe versehen. Schweißen Sie den Einschweißstutzen bei horizontalem Einbau mit der Markierung nach oben oder unten ein; in Rohrleitungen (DN 25 bis DN 50) in Fließrichtung.

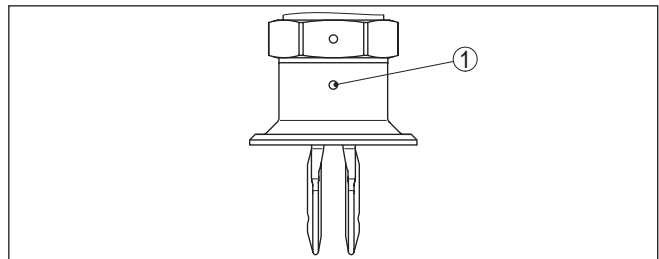


Abb. 5: Markierung am Einschweißstutzen

1 Markierung

Einschweißstutzen

Anhaftende Füllgüter

Bei horizontalem Einbau in anhaftenden und zähflüssigen Füllgütern sollten die Flächen der Schwinggabel möglichst senkrecht stehen, um Ablagerungen auf der Schwinggabel möglichst gering zu halten. Die Stellung der Schwinggabel ist durch eine Markierung auf dem Sechskant des LEVEL SWITCH 8110 gekennzeichnet. Damit können Sie die Stellung der Schwinggabel beim Einschrauben kontrollieren. Wenn der Sechskant auf der Flachdichtung aufsitzt, kann das Gewin-

Einströmendes Füllgut

Störungen

de noch ca. um eine halbe Umdrehung weitergedreht werden. Das genügt, um die empfohlene Einbaulage zu erreichen.

Bei anhaftenden und zähflüssigen Füllgütern sollte die Schwinggabel möglichst frei in den Behälter ragen, um Ablagerungen zu verhindern. Stutzen für Flansche und Einschraubstutzen sollten deshalb eine bestimmte Länge nicht überschreiten.

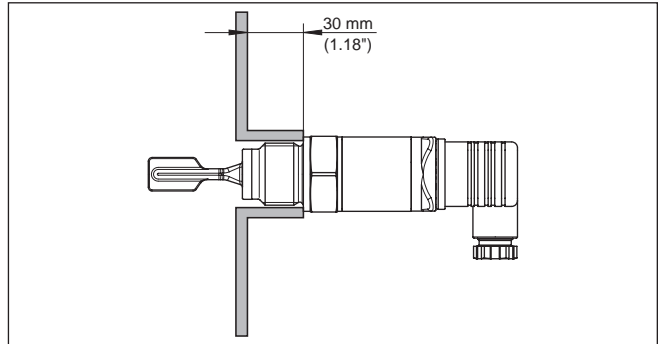


Abb. 6: Anhaftende Füllgüter

Wenn der LEVEL SWITCH 8110 im Befüllstrom eingebaut ist, kann dies zu unerwünschten Fehlmessungen führen. Montieren Sie den LEVEL SWITCH 8110 deshalb an einer Stelle im Behälter, wo keine störenden Einflüsse, wie z. B. von Befüllöffnungen, Rührwerken etc. auftreten können.

Damit die Schwinggabel des LEVEL SWITCH 8110 bei Füllgutbewegungen möglichst wenig Widerstand bietet, sollten die Flächen der Schwinggabel parallel zur Füllgutbewegung stehen.

5 An die Spannungsversorgung anschließen

5.1 Anschluss vorbereiten

Beachten Sie grundsätzlich folgende Sicherheitshinweise:

- Nur in spannungslosem Zustand anschließen

Das Gerät wird mit handelsüblichem zweiadrigen Kabel ohne Schirm angeschlossen. Falls elektromagnetische Einstrahlungen zu erwarten sind, die über den Prüfwerten der EN 61326 für industrielle Bereiche liegen, sollte abgeschirmtes Kabel verwendet werden.

Verwenden Sie Kabel mit rundem Querschnitt. Je nach Steckeranschluss müssen Sie den Kabelaußendurchmesser entsprechend wählen, damit die Dichtwirkung der Kabelverschraubung gewährleistet ist.

- Ventilstecker ISO 4400, \varnothing 4,5 ... 7 mm
- Ventilstecker ISO 4400 mit Schneidklemmtechnik, \varnothing 5,5 ... 8 mm

Verwenden Sie Kabel mit einem runden Aderquerschnitt und ziehen Sie die Kabelverschraubung fest an.

Bei Montage im Freien, an gekühlten Behältern oder in Bereichen mit Feuchtigkeitseinwirkung, in denen z. B. mit Dampf oder Hochdruck gereinigt wird, ist die Abdichtung der Kabelverschraubung besonders wichtig.

Sicherheitshinweise
beachten

Anschlusskabel

Kabelverschraubungen

MAN 1000082738 ML Version: C Status: RL (released | freigegeben) printed: 16.02.2026

Gehäuseübersicht

5.2 Anschlussplan

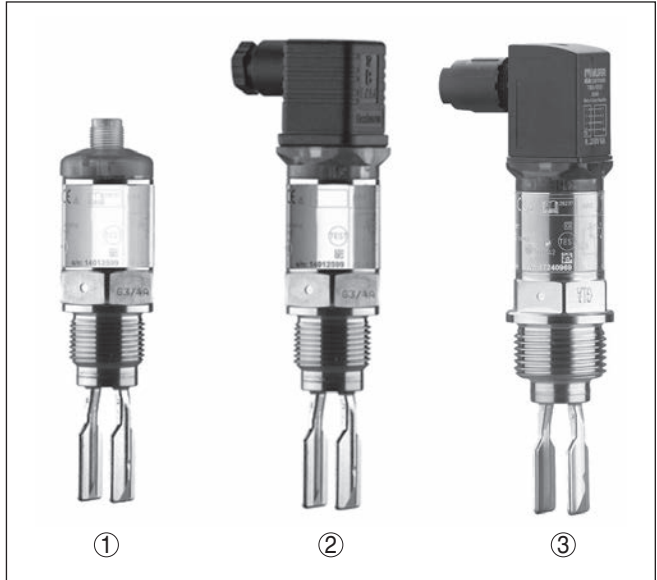


Abb. 7: Übersicht über die Anschlussvarianten

- 1 M12 x 1-Steckverbindung
- 2 Ventilstecker ISO 4400
- 3 Ventilstecker ISO 4400 mit Schneidklemmtechnik

Steckerausführungen

M12 x 1-Steckverbindung

Diese Steckverbindung benötigt ein fertig konfektioniertes Kabel mit Stecker. Schutzart IP 66/IP 67.

Ventilstecker ISO 4400

Bei dieser Steckervariante können Sie ein handelsübliches Kabel mit rundem Kabelquerschnitt verwenden. Kabeldurchmesser 4,5 ... 7 mm, Schutzart IP 65.

MAN 100062738 ML Version: C Status: RL (released | freigegeben) printed: 14.05.2026

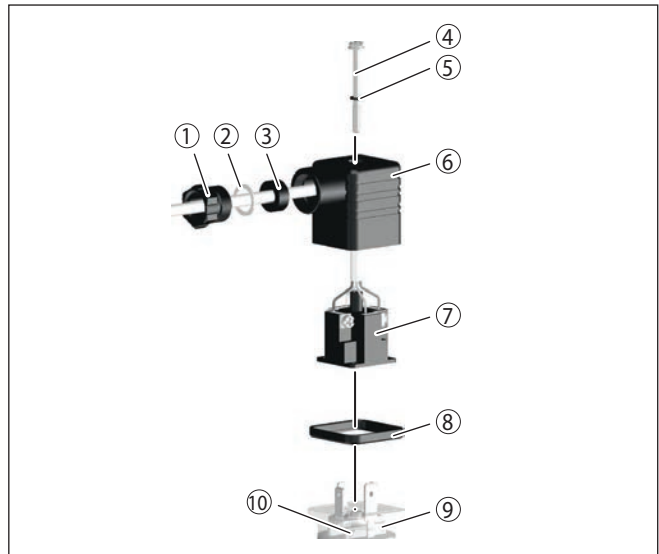


Abb. 8: Anschluss Ventilstecker ISO 4400

- 1 Druckschraube
- 2 Druckscheibe
- 3 Dichtring
- 4 Befestigungsschraube
- 5 Dichtscheibe
- 6 Steckergehäuse
- 7 Steckereinsatz
- 8 Profildichtung
- 9 Kontrolleuchte
- 10 LEVEL SWITCH 8110

Ventilstecker ISO 4400 mit Schneidklemmtechnik

Bei dieser Steckervariante können Sie ein handelsübliches Kabel mit rundem Kabelquerschnitt verwenden. Die inneren Leitungen müssen nicht abisoliert werden. Der Stecker verbindet die Leitungen beim Verschrauben automatisch. Kabeldurchmesser 5,5 ... 8 mm, Schutzart IP 67.

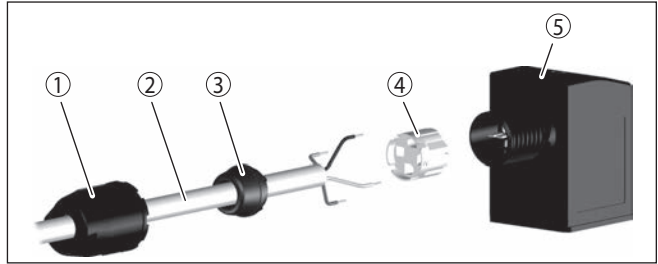


Abb. 9: Anschluss Ventilstecker ISO 4400 mit Schneidklemmtechnik

- 1 Überwurfmutter
- 2 Kabel
- 3 Dichtring
- 4 Klemmeinsatz
- 5 Steckergehäuse

Transistorausgang

Zur Anbindung an binäre Eingänge einer SPS.

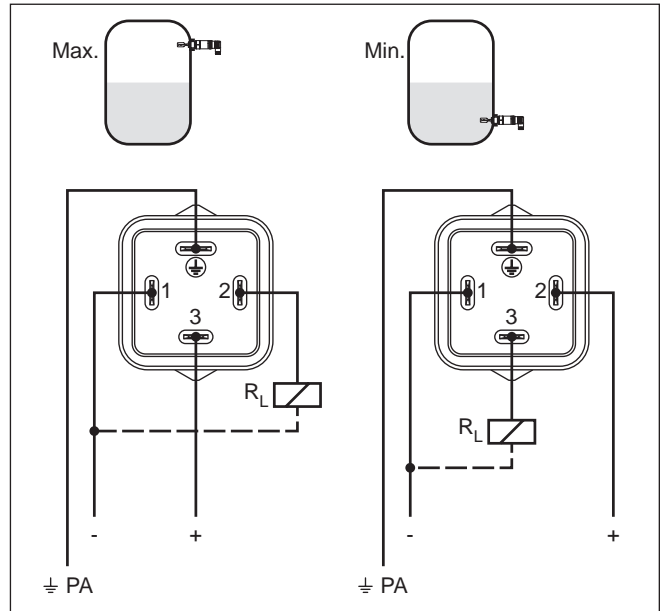


Abb. 10: Anschlussplan, Transistorausgang bei Ventilstecker ISO 4400

PA Potenzialausgleich

R_L Lastwiderstand (Schütz, Relais etc.)

MAN 1000082738 ML Version: C Status: RL (released | freigegeben) printed: 14.05.2026

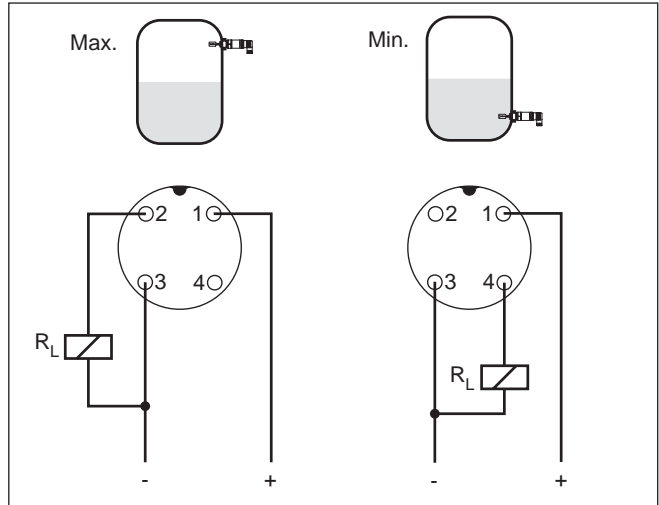


Abb. 11: Anschlussplan (Gehäuse), Transistorausgang bei M12 x 1-Steckverbindung

- 1 Braun
- 2 Weiß
- 3 Blau
- 4 Schwarz
- R_L Lastwiderstand (Schütz, Relais etc.)

6 In Betrieb nehmen

6.1 Schaltzustandsanzeige

Der Schaltzustand der Elektronik kann über die im Gehäuseoberteil integrierten Kontrollleuchten (LEDs) kontrolliert werden.

Die Kontrollleuchten haben folgende Bedeutung:

- Grün leuchtet - Spannungsversorgung angeschlossen
- Gelb leuchtet - Schwingelement bedeckt
- Rot leuchtet kurz auf - Funktionstest beim Gerätestart (für 0,5 s)
- Rot leuchtet - Kurzschluss oder Überlast im Lastkreis (Sensorausgang hochohmig)
- Rot blinkt - Fehler am Schwingelement oder an der Elektronik (Sensorausgang hochohmig)

6.2 Simulation

Der LEVEL SWITCH 8110 hat eine integrierte Funktion zur Simulation des Ausgangssignals, die magnetisch aktiviert werden kann. Gehen Sie folgendermaßen vor:

- Prüfmagnet (Zubehör) an das Kreissymbol mit der Aufschrift "TEST" auf dem Gerätegehäuse halten

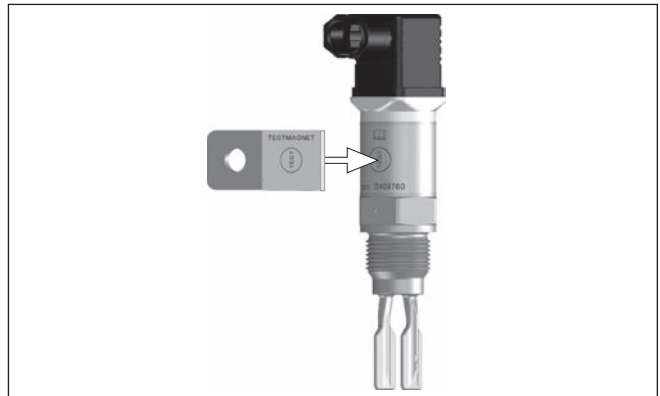


Abb. 12: Simulation des Ausgangssignals

Der Prüfmagnet ändert den aktuellen Schaltzustand des Gerätes. Sie können die Veränderung an der Kontrollleuchte kontrollieren. Beachten Sie, dass die nachgeschalteten Geräte während der Simulation aktiviert werden.

Sollte der LEVEL SWITCH 8110 auch bei wiederholten Versuchen mit dem Prüfmagneten nicht umschalten, überprüfen Sie den Steckeranschluss und die Verbindungsleitung und versuchen Sie es erneut. Wenn keine Schaltfunktion erfolgt, liegt ein Elektronikdefekt vor. In diesem Fall müssen Sie die Elektronik tauschen oder senden Sie das Gerät an unsere Reparaturabteilung.



Vorsicht:

Entfernen Sie den Prüfmagneten nach der Simulation unbedingt wieder vom Gerätegehäuse.

6.3 Funktionstabelle

Die folgende Tabelle gibt eine Übersicht über die Schaltzustände in Abhängigkeit von der eingestellten Betriebsart und dem Füllstand.

	Füllstand	Schaltzustand	Kontrollleuchte Gelb - Bedeckungszustand	Kontrollleuchte Grün - Spannungsanzeige	Kontrollleuchte Rot - Störmeldung
Triebart max.		geschlossen	○		○
Triebart max.		offen			○
Triebart min.		geschlossen			○
Triebart min.		offen	○		○
Druck	beliebig	offen	beliebig		

MAN 100008238 ML Version: C Status: RL (released) | freigegeben | printed: 14.05.2026

7 Instandhalten und Störungen beseitigen

7.1 Wartung

Bei bestimmungsgemäßer Verwendung ist im Normalbetrieb keine besondere Wartung erforderlich.

7.2 Störungen beseitigen

Es liegt in der Verantwortung des Anlagenbetreibers, geeignete Maßnahmen zur Beseitigung aufgetretener Störungen zu ergreifen.

Der LEVEL SWITCH 8110 bietet Ihnen ein Höchstmaß an Funktionssicherheit. Dennoch können während des Betriebes Störungen auftreten. Diese können z. B. folgende Ursachen haben:

- Sensor
- Prozess
- Spannungsversorgung
- Signalauswertung

Die erste Maßnahme ist die Überprüfung des Ausgangssignals. In vielen Fällen lassen sich die Ursachen auf diesem Wege feststellen und die Störungen so beseitigen.

Fehler	Ursache	Beseitigung
Grüne Kontrollleuchte aus	Spannungsversorgung unterbrochen	Überprüfen Sie die Spannungsversorgung und die Kabelverbindung
	Elektronik defekt	Gerät austauschen bzw. zur Reparatur einsenden
Rote Kontrollleuchte leuchtet (Schaltausgang ist hochohmig)	Fehler beim elektrischen Anschluss	Schließen Sie das Gerät gemäß dem Anschlussplan an
	Kurzschluss oder Überlast	Kontrollieren Sie den elektrischen Anschluss
Rote Kontrollleuchte blinkt (Schaltausgang ist hochohmig)	Schwingfrequenz außerhalb der Spezifikation	Kontrollieren Sie das Schwingelement auf Anhaftungen und Ablagerungen und entfernen Sie diese
	Anhaftungen am Schwingelement	Kontrollieren Sie das Schwingelement und den Stutzen auf eventuelle Anhaftungen und entfernen Sie diese
	Schwingelement beschädigt	Kontrollieren Sie, ob das Schwingelement beschädigt oder stark korrodiert ist

Verhalten nach Störungsbeseitigung

Je nach Störungsursache und getroffenen Maßnahmen sind ggf. die im Kapitel "*In Betrieb nehmen*" beschriebenen Handlungsschritte erneut zu durchlaufen.

8 Ausbauen

8.1 Ausbauschritte

**Warnung:**

Achten Sie vor dem Ausbauen auf gefährliche Prozessbedingungen wie z. B. Druck im Behälter, hohe Temperaturen, aggressive oder toxische Füllgüter etc.

Beachten Sie die Kapitel "*Montieren*" und "*An die Spannungsversorgung anschließen*" und führen Sie die dort angegebenen Schritte sinngemäß umgekehrt durch.

8.2 Entsorgen

Das Gerät besteht aus Werkstoffen, die von darauf spezialisierten Recyclingbetrieben wieder verwertet werden können. Wir haben hierzu die Elektronik leicht trennbar gestaltet und verwenden recyclebare Werkstoffe.

WEEE-Richtlinie 2002/96/EG

Das vorliegende Gerät unterliegt nicht der WEEE-Richtlinie 2002/96/EG und den entsprechenden nationalen Gesetzen. Führen Sie das Gerät direkt einem spezialisierten Recyclingbetrieb zu und nutzen Sie dafür nicht die kommunalen Sammelstellen. Diese dürfen nur für privat genutzte Produkte gemäß WEEE-Richtlinie genutzt werden.

Eine fachgerechte Entsorgung vermeidet negative Auswirkungen auf Mensch und Umwelt und ermöglicht eine Wiederverwendung von wertvollen Rohstoffen.

Werkstoffe: siehe Kapitel "*Technische Daten*"

Sollten Sie keine Möglichkeit haben, das Altgerät fachgerecht zu entsorgen, so sprechen Sie mit uns über Rücknahme und Entsorgung.

9 Anhang

9.1 Technische Daten

Allgemeine Daten

Werkstoff 316L entspricht 1.4404 oder 1.4435

Werkstoffe, medienberührt

Schwinggabel	316L
Prozessdichtung	Klingersil C-4400
Prozessanschlüsse	316L

Werkstoffe, nicht medienberührt

Gehäuse	316L und Kunststoff PEI
Gewicht ca.	250 g (9 oz)

Prozessanschlüsse

Rohrgewinde, zylindrisch (DIN 3852- G $\frac{1}{2}$, G $\frac{3}{4}$, G1

Amerikan. Rohrgewinde, kegelig ½ NPT, ¾ NPT, 1 NPT
(ASME B1.20.1)

Lebensmittelgeeignete Anschlüsse Clamp 1", Clamp 1½", Clamp 2", PN 16 DIN 32676, ISO 2852/316L, Rohrverschraubung DN 25 PN 40, Rohrverschraubung DN 40 PN 40, Rohrverschraubung DN 50 PN 25, SMS DN 38 PN 6

Max. Anzugsmoment - Prozessanschluss

Gewinde G $\frac{1}{2}$, ½ NPT	50 Nm (37 lbf ft)
Gewinde G $\frac{3}{4}$, ¾ NPT	75 Nm (55 lbf ft)
Gewinde G1, 1 NPT	100 Nm (73 lbf ft)

Oberflächengüte

Standard	R _a < 3,2 µm (1.26 ⁻⁴ in)
Lebensmittelausführung	R _a < 0,8 µm (3.15 ⁻⁵ in)

Messgenauigkeit

Hysterese	ca. 2 mm (0.08 in) bei senkrechtem Einbau
Schaltverzögerung	ca. 500 ms (ein/aus)
Messfrequenz	ca. 1100 Hz

Umgebungsbedingungen

Umgebungstemperatur am Gehäuse	-40 ... +70 °C (-40 ... +158 °F)
Lager- und Transporttemperatur	-40 ... +80 °C (-40 ... +176 °F)

Prozessbedingungen

Prozessdruck	-1 ... 64 bar/-100 ... 6400 kPa (-14.5 ... 928 psig)
Prozesstemperatur - Standard	-40 ... +100 °C (-40 ... +212 °F)

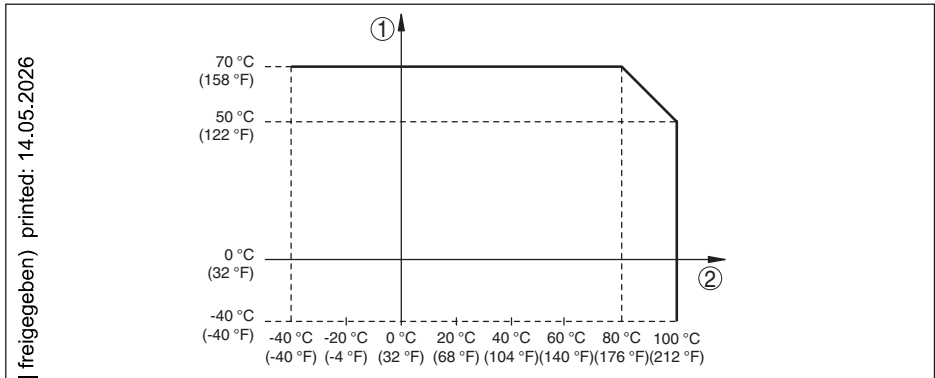


Abb. 31: Abhängigkeit Umgebungstemperatur zu Prozesstemperatur

1 Umgebungstemperatur in °C (°F)

2 Prozesstemperatur in °C (°F)

Prozesstemperatur - Hochtemperatur- -40 ... +150 °C (-40 ... +302 °F)
ausführung (optional)

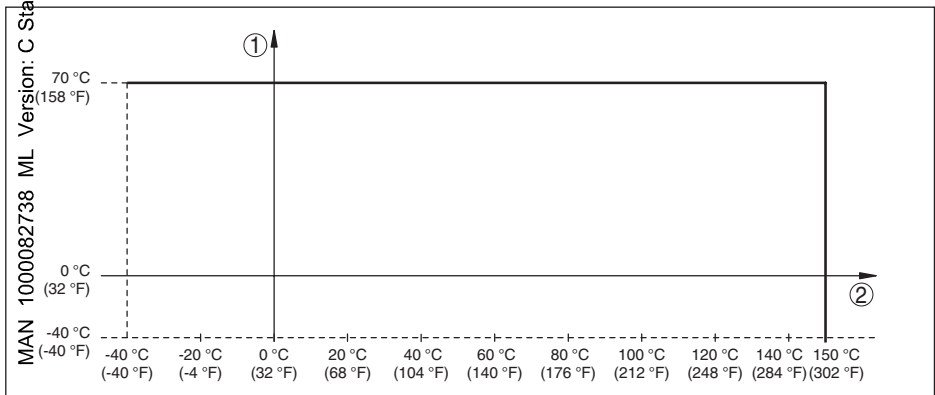


Abb. 32: Abhängigkeit Umgebungstemperatur zu Prozesstemperatur

1 Umgebungstemperatur in °C (°F)

2 Prozesstemperatur in °C (°F)

Viskosität - dynamisch	0,1 ... 10000 mPa s
Fließgeschwindigkeit	max. 6 m/s (bei einer Viskosität von 10000 mPa s)
Dichte	0,7 ... 2,5 g/cm ³ (0.025 ... 0.09 lbs/in ³)

Bedienung

Steckeranschlüsse	Spezifikation siehe "An die Spannungsversorgung anschließen"
Kontrollleuchten (LED)	
- Grün	Spannungsversorgung ein
- Gelb	Schwingelement bedeckt

41764-DE-130710

– Rot	Störung
Ausgangsgröße	
Ausgang	Transistorausgang PNP
Laststrom	max. 250 mA (Ausgang, dauerkurzschlussfest)
Spannungsabfall	< 3 V
Spannung	< 34 V DC
Sperrstrom	< 10 μ A
Betriebsart	
– Min./Max.	Umschaltung durch elektronischen Anschluss
– Max.	Überlaufschutz
– Min.	Trockenlaufschutz

Spannungsversorgung

Betriebsspannung	9,6 ... 35 V DC
Leistungsaufnahme	max. 0,5 W

Elektromechanische Daten

Ventilstecker ISO 4400	
– Aderquerschnitt	1,5 mm ² (0.06 in ²)
– Kabelaußendurchmesser	4,5 ... 7 mm (0.18 ... 0.28 in)
Ventilstecker ISO 4400 mit Schneidklemmtechnik	
– Aderquerschnitt	für Aderquerschnitt von 0,5 ... 1 mm ² (0.02 ... 0.04 in ²)
– Einzeldrahtdurchmesser	> 0,1 mm (0.004 in)
– Aderdurchmesser	1,6 ... 2 mm ² (0.06 ... 0.08 in ²)
– Kabelaußendurchmesser	5,5 ... 8 mm (0.22 ... 0.31 in)
– Anschlusshäufigkeit	10 x (am gleichen Querschnitt)

Elektrische Schutzmaßnahmen

Schutzart	
– Ventilstecker ISO 4400	IP 65
– Ventilstecker ISO 4400 mit Schneidklemmtechnik	IP 67
– M12 x 1-Steckverbindung	IP 66/IP 67
Überspannungskategorie	III
Schutzklasse	II

9.2 Maße

LEVEL SWITCH 8110, Standardausführung - Gewinde

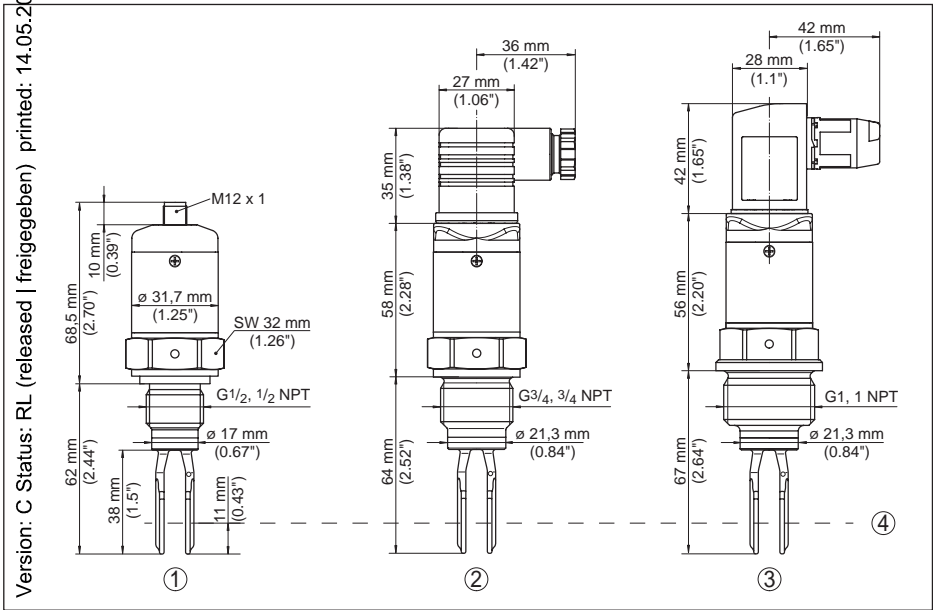
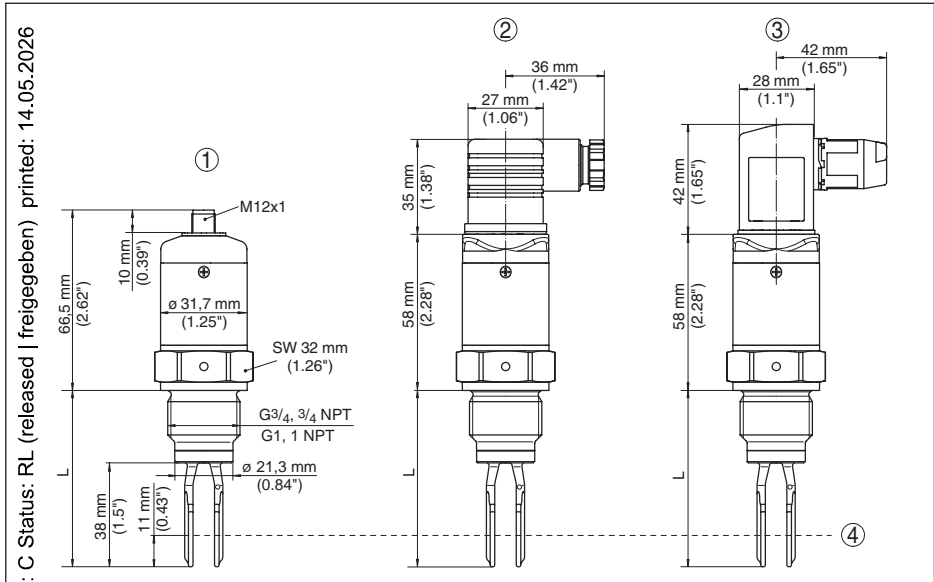


Abb. 33: LEVEL SWITCH 8110, Standardausführung - Gewinde

- 1) Gewinde G $\frac{1}{2}$ (DIN ISO 228/1), $\frac{1}{2}$ NPT (M12 x 1)¹⁾
- 2) Gewinde G $\frac{3}{4}$ (DIN ISO 228/1), $\frac{3}{4}$ NPT (Ventilstecker ISO 4400)
- 3) Gewinde G1 (DIN ISO 228/1), 1 NPT (Ventilstecker ISO 4400 mit Schneidklemmtechnik)
- 4) Schalterpunkt

MAN 1000082738

¹⁾ Beachten Sie, dass sich die Gesamtlänge durch die Steckverbindung verlängert.

LEVEL SWITCH 8110, Standardausführung - Gewinde G $\frac{3}{4}$, G1, $\frac{3}{4}$ NPT, 1 NPT

Abb. 34: LEVEL SWITCH 8110, Standardausführung - Gewinde G $\frac{3}{4}$, G1, $\frac{3}{4}$ NPT, 1 NPT

- 1 Gewinde G $\frac{3}{4}$, G1 (DIN ISO 228/1), $\frac{3}{4}$ NPT oder 1 NPT (M12 x 1)²⁾
- 2 Gewinde G $\frac{3}{4}$, G1 (DIN ISO 228/1), $\frac{3}{4}$ NPT oder 1 NPT (Ventilstecker ISO 4400)
- 3 Gewinde G $\frac{3}{4}$, G1 (DIN ISO 228/1), $\frac{3}{4}$ NPT oder 1 NPT (Ventilstecker ISO 4400 mit Schneidklemmtechnik)
- 4 Schaltpunkt
- L Länge bei G $\frac{3}{4}$ (DIN ISO 228/1), $\frac{3}{4}$ NPT: 64 mm (2.5 in)
- L Länge bei G1 (DIN ISO 228/1), 1 NPT: 67 mm (2.64 in)

²⁾ Beachten Sie, dass sich die Gesamtlänge durch die Steckverbindung verlängert.

LEVEL SWITCH 8110, Hochtemperatursausführung

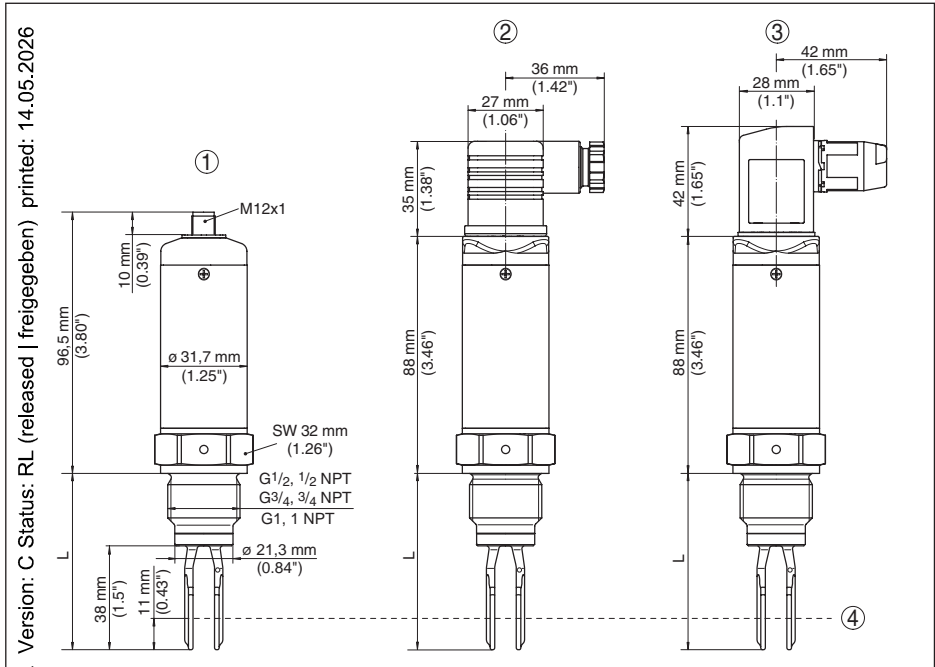


Abb. 35: LEVEL SWITCH 8110, Hochtemperatursausführung

- 1 Gewinde G $\frac{1}{2}$, G $\frac{3}{4}$, G1 (DIN ISO 228/1), $\frac{1}{2}$ NPT, $\frac{3}{4}$ NPT oder 1 NPT (M12 x 1)³⁾
- 2) Gewinde G $\frac{1}{2}$, G $\frac{3}{4}$, G1 (DIN ISO 228/1), $\frac{1}{2}$ NPT, $\frac{3}{4}$ NPT oder 1 NPT (Ventilstecker ISO 4400)
- 3) Gewinde G $\frac{1}{2}$, G $\frac{3}{4}$, G1 (DIN ISO 228/1), $\frac{1}{2}$ NPT, $\frac{3}{4}$ NPT oder 1 NPT (Ventilstecker ISO 4400 mit Schneidklemmtechnik)
- 4) Schaltpunkt
- L Länge bei G $\frac{1}{2}$ (DIN ISO 228/1), $\frac{1}{2}$ NPT: 62 mm (2.44 in)
- L Länge bei G $\frac{3}{4}$ (DIN ISO 228/1), $\frac{3}{4}$ NPT: 64 mm (2.5 in)
- L Länge bei G1 (DIN ISO 228/1), 1 NPT: 67 mm (2.64 in)

³⁾ Beachten Sie, dass sich die Gesamtlänge durch die Steckverbindung verlängert.

LEVEL SWITCH 8110, Lebensmittelausführungen

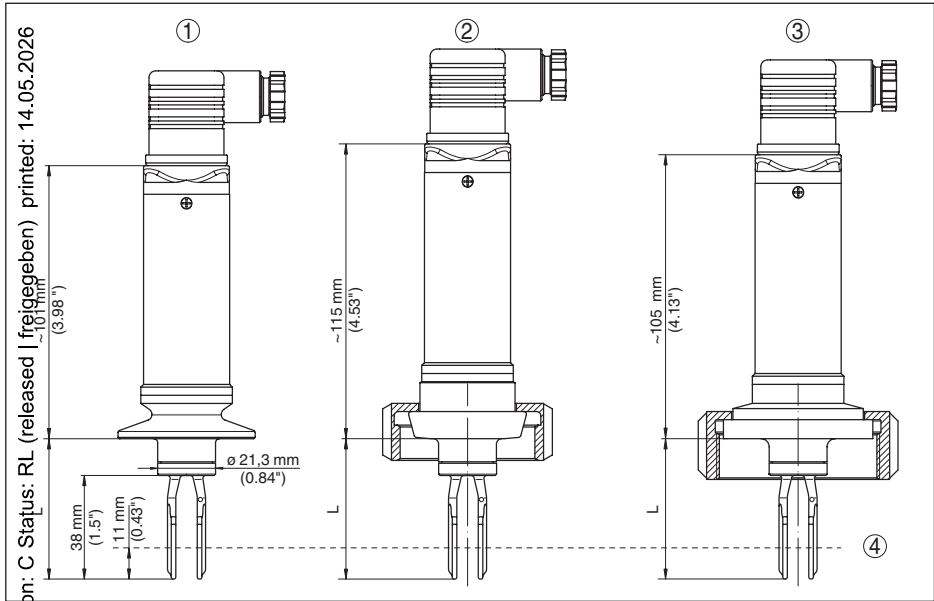


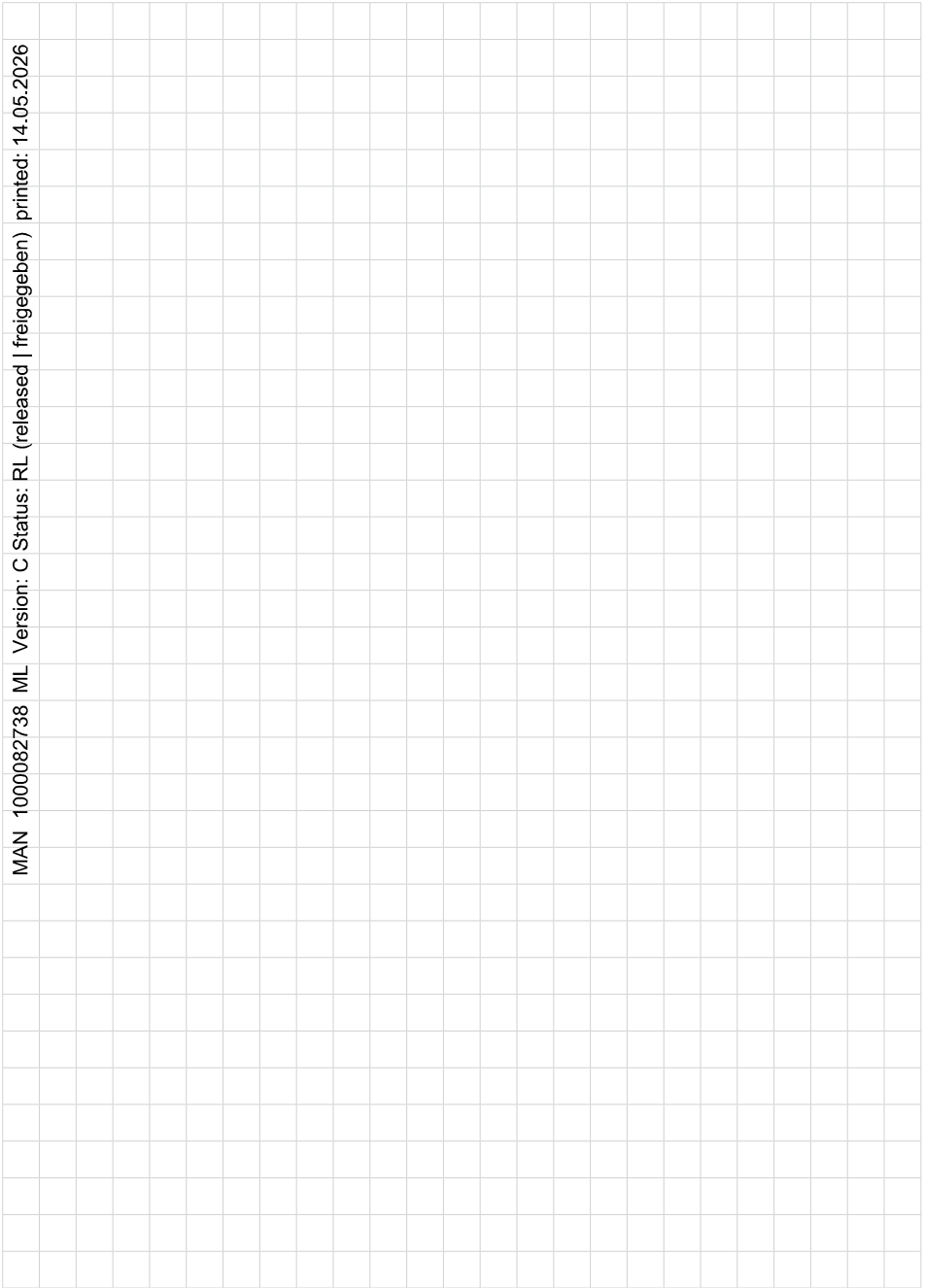
Abb. 36: LEVEL SWITCH 8110, Lebensmittelausführungen

- 1 Clamp (Ventilstecker ISO 4400)
 2 Rohrverschraubung (Ventilstecker ISO 4400)
 3 SMS 1145 (Ventilstecker ISO 4400)
 4 Schaltpunkt
- L Länge bei Clamp: 53 mm (2.1 in)
 L Länge bei Rohrverschraubung: 53 mm (2.1 in)
 L Länge bei SMS 1145: 53 mm (2.1 in)

MAN 100082738 ML

41764-DE-130710

MAN 1000082738 ML Version: C Status: RL (released | freigegeben) printed: 14.05.2026



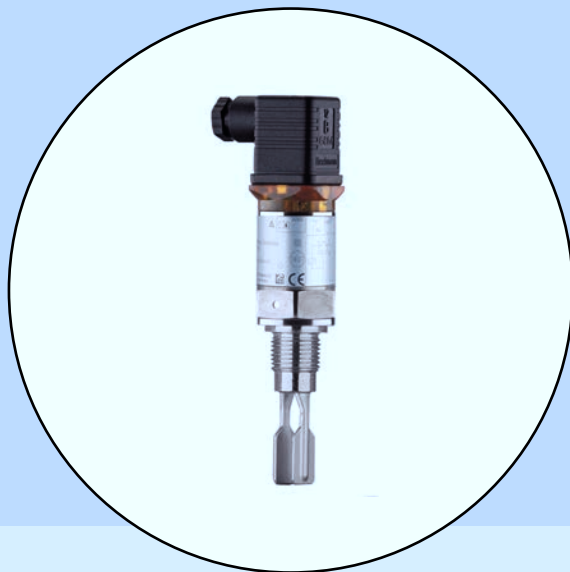
MAN 1000082738 ML Version: C Status: RL (released | freigegeben) printed: 14.05.2026

The smart choice
of Fluid Control Systems
www.buerkert.com

**bürkert**
FLUID CONTROL SYSTEMS

41764-DE-130710

Mise en service



LEVEL SWITCH 8110

- Transistor (PNP)
Avec affichage d'état étendu

Table des matières

1	À propos de ce document	
1.1	Fonctions	3
1.2	Personnes concernées	3
1.3	Symbolique utilisée	3
2	Pour votre sécurité	
2.1	Personnel autorisé	5
2.2	Utilisation appropriée	5
2.3	Avertissement contre les utilisations incorrectes	5
2.4	Consignes de sécurité générales	5
2.5	Caractéristiques de sécurité sur l'appareil	6
2.6	Conformité CE	6
3	Description du produit	
3.1	Structure	7
3.2	Procédé de fonctionnement	8
3.3	Réglage et configuration	9
3.4	Stockage et transport	9
4	Montage	
4.1	Remarques générales	10
4.2	Consignes de montage	12
5	Raccordement à l'alimentation en tension	
5.1	Préparation du raccordement	14
5.2	Schéma de raccordement	15
6	Mettre en service	
6.1	Affichage de l'état de commutation	19
6.2	Simulation	19
6.3	Tableau de fonctionnement	20
7	Maintenance et élimination des défauts	
7.1	Maintenance	21
7.2	Éliminer les anomalies	21
8	Démonter	
8.1	Étapes de démontage	23
8.2	Éliminer	23
9	Annexe	
9.1	Caractéristiques techniques	24
9.2	Dimensions	28

Date de rédaction : 2013-03-18

1 À propos de ce document

1.1 Fonctions

La présente notice technique contient les informations nécessaires vous permettant un montage, un raccordement et une mise en service de l'appareil ainsi que des remarques importantes concernant l'entretien et l'élimination des défauts. Il est donc important de la lire avant d'effectuer la mise en service et de la conserver près de l'appareil, accessible à tout moment comme partie intégrante du produit.

1.2 Personnes concernées

Cette notice technique s'adresse à un personnel spécialisé et qualifié. Ces spécialistes doivent avoir connaissance de son contenu et le mettre en pratique.

1.3 Symbolique utilisée



Informations, conseil, remarques

Sous ce symbole, vous trouverez des informations complémentaires très utiles.



Prudence : Le non-respect de cette recommandation peut entraîner des pannes ou des défauts de fonctionnement.

Avertissement : Le non-respect de cette instruction peut porter préjudice à la personne manipulant l'appareil et/ou peut entraîner de graves dommages à l'appareil.

Danger : Le non-respect de cet avertissement peut entraîner des blessures sérieuses à la personne manipulant l'appareil et/ou peut détruire l'appareil.



Applications Ex

Vous trouverez à la suite de ce symbole des remarques particulières concernant les applications Ex.



Liste

Ce point précède une énumération dont l'ordre chronologique n'est pas obligatoire.



Étape de la procédure

Cette flèche indique une étape de la procédure.

1

Séquence d'actions

Les étapes de la procédure sont numérotées dans leur ordre chronologique.

MAN 1000082738 ML Version: C Status: RL (released | freigegeben) printed: 14.05.2026



Élimination des piles

Vous trouverez à la suite de ce symbole des remarques particulières concernant l'élimination des piles et accumulateurs.

2 Pour votre sécurité

2.1 Personnel autorisé

Toutes les manipulations sur l'appareil indiquées dans cette notice ne doivent être effectuées que par du personnel qualifié, spécialisé et autorisé par l'exploitant de l'installation.

Porter toujours l'équipement de protection personnel nécessaire en travaillant avec l'appareil.

2.2 Utilisation appropriée

Le LEVEL SWITCH 8110 est un appareil destiné à la détection de niveau.

Vous trouverez des informations plus détaillées concernant le domaine d'application au chapitre "*Description du produit*".

La sécurité de fonctionnement n'est assurée qu'à condition d'un usage conforme de l'appareil en respectant les indications stipulées dans le manuel de mise en service et dans les éventuelles notices complémentaires.

Pour des raisons de sécurité et de garantie, toute intervention sur l'appareil en dehors des manipulations indiquées dans le manuel de mise en service est strictement réservée à des personnes autorisées par le fabricant de l'appareil. Il est explicitement interdit de procéder de son propre chef à des transformations ou modifications sur l'appareil.

2.3 Avertissement contre les utilisations incorrectes

Un usage non conforme ou non approprié de l'appareil peut engendrer des risques spécifiques à l'application. Un montage incorrect ou un réglage erroné peut entraîner par exemple un débordement de cuve ou des dégâts dans les composants de l'installation.

2.4 Consignes de sécurité générales

L'appareil correspond au standard technologique actuel et respecte les réglementations et directives usuelles. L'utilisateur doit suivre scrupuleusement les consignes de sécurité de cette notice, les standards d'installation spécifiques au pays concerné ainsi que les dispositions de sécurité et règles de préventions d'accidents en vigueur.

L'appareil ne doit fonctionner que dans un état technique impeccable et sûr. L'exploitant est responsable d'un fonctionnement sans perturbation de l'appareil.

Pendant toute la durée d'exploitation de l'appareil, l'exploitant doit en plus vérifier que les mesures nécessaires de sécurité du travail concordent avec les normes actuelles en vigueur et que les nouvelles réglementations y sont incluses et respectées.

2.5 Caractéristiques de sécurité sur l'appareil

Les caractéristiques et remarques de sécurité se trouvant sur l'appareil sont à respecter.

2.6 Conformité CE

L'appareil satisfait aux exigences légales des directives respectives de la CE. Avec le marquage CE, nous confirmons que le contrôle a été effectué avec succès.

Vous trouverez la déclaration de conformité CE dans la zone de téléchargement sur notre site web.

3 Description du produit

3.1 Structure

Compris à la livraison

La livraison comprend :

- Détecteur de niveau LEVEL SWITCH 8110
- Aimant de test
- Documentation
 - Ce manuel de mise en service
 - le cas échéant des certificats

Composants

Le LEVEL SWITCH 8110 est composé des éléments suivants :

- Boîtier avec électronique
- Raccord process avec lames vibrantes

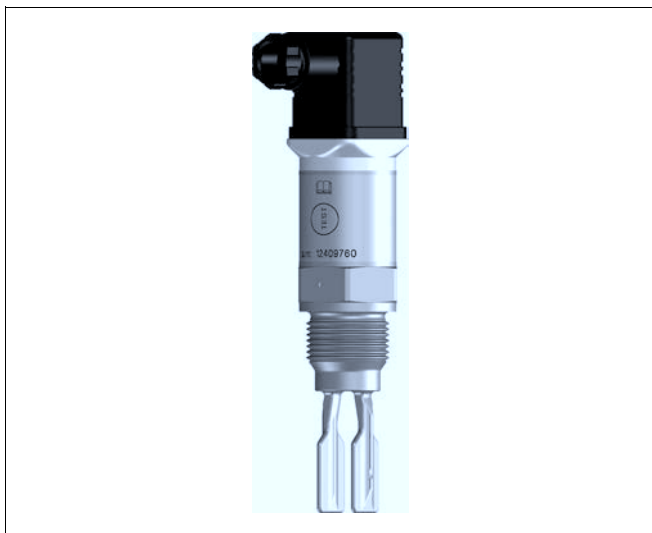


Fig. 1: LEVEL SWITCH 8110

Plaque signalétique

La plaque signalétique contient les informations les plus importantes servant à l'identification et à l'utilisation de l'appareil :

- Numéro d'article
- Numéro de série
- Caractéristiques techniques
- Numéros d'articles documentation

Domaine d'application

3.2 Procédé de fonctionnement

Le LEVEL SWITCH 8110 est un détecteur de niveau à lames vibrantes destiné à la détection de niveau.

Il est conçu pour les applications industrielles dans tous les secteurs de la technique des procédés et peut être utilisé dans les liquides.

Des applications classiques sont la protection antidébordement et contre la marche à vide. Grâce à ses lames très courtes de 38 mm seulement, le détecteur LEVEL SWITCH 8110 peut être installé par exemple sur des tuyauteries à partir d'un diamètre nominal de DN 25. Les petites lames vibrantes permettent une application sur des réservoirs, cuves ou sur tuyauteries. Grâce à son système de mesure simple et robuste, on peut utiliser le détecteur LEVEL SWITCH 8110 quasi indépendamment des propriétés chimiques et physiques du liquide à mesurer.

Il fonctionne également dans des conditions de mesure difficiles telles que turbulences, bulles d'air, formation de mousse, colmatages, fortes vibrations environnantes ou variations de produits.

Autosurveillance

Le préamplificateur de l'appareil LEVEL SWITCH 8110 contrôle de façon continue par le biais de son exploitation de fréquence les critères suivants :

- une corrosion importante ou une détérioration des lames vibrantes
- Arrêt de vibration
- Une rupture de ligne aux éléments piézo

Si le détecteur reconnaît une panne de fonctionnement ou dans le cas d'une panne de tension d'alimentation, l'électronique passe à un état de commutation défini, c.-à-d. que la sortie est ouverte (sécurité positive).

Principe de fonctionnement

Les lames vibrantes sont excitées par des éléments piézo et oscillent sur leur fréquence de résonance mécanique de 1100 Hz env. Le recouvrement des lames vibrantes par le produit entraîne une variation de la fréquence. Celle-ci est détectée par l'étage électronique intégré puis convertie en un ordre de commutation.

Tension d'alimentation

Le LEVEL SWITCH 8110 est un appareil compact, c'est à dire qu'il peut fonctionner sans exploitation externe. L'électronique intégrée exploite le signal niveau et délivre un signal de commutation qui vous permet d'enclencher directement un appareil asservi en aval (p.ex. un système d'avertissement, une pompe, etc.).

Vous trouverez les données concernant l'alimentation de tension au chapitre "*Caractéristiques techniques*".

3.3 Réglage et configuration

L'état de commutation du LEVEL SWITCH 8110 peut être contrôlé avec un boîtier fermé (témoin de contrôle). L'appareil peut détecter des produits dont la densité est $> 0,7 \text{ g/cm}^3$ (0.025 lbs/in^3).

3.4 Stockage et transport

Durant le transport jusqu'à son lieu d'application, votre appareil a été protégé par un emballage dont la résistance aux contraintes de transport usuelles a fait l'objet d'un test selon la norme DIN ISO 4180.

Pour les appareils standard, cet emballage est en carton non polluant et recyclable. Pour les versions spéciales, on utilise en plus de la mousse ou des feuilles de polyéthylène. Faites en sorte que cet emballage soit recyclé par une entreprise spécialisée de récupération et de recyclage.

Le transport doit s'effectuer en tenant compte des indications faites sur l'emballage de transport. Le non-respect peut entraîner des dommages à l'appareil.

La livraison doit être vérifiée immédiatement après réception quant à son intégralité et à d'éventuels dommages dus au transport. D'éventuels dommages de transport constatés ou des vices cachés sont à traiter en conséquence.

Les colis sont à conserver fermés jusqu'au montage en veillant à respecter les marquages de positionnement et de stockage apposés à l'extérieur.

Sauf autre indication, entreposer les colis en respectant les conditions suivantes :

- Ne pas entreposer à l'extérieur
- Entreposer dans un lieu sec et sans poussière
- Ne pas exposer à des produits agressifs
- Protéger contre les rayons du soleil
- Éviter des secousses mécaniques
- Température de transport et de stockage voir au chapitre "*Annexe - Caractéristiques techniques - Conditions ambiantes*"
- Humidité relative de l'air 20 ... 85 %

Emballage

Transport

Inspection du transport

Stockage

Température de stockage et de transport

4 Montage

4.1 Remarques générales

Assurez-vous que tous les éléments de l'appareil se trouvant dans le process, en particulier la cellule de mesure, le joint et le raccord process, soient appropriés aux conditions du process. Cela concerne en particulier la pression process, la température process ainsi que les propriétés chimiques du ou des produit(s).

Vous trouverez de plus amples informations dans le chapitre "Caractéristiques techniques" et sur la plaque signalétique.

En principe, vous pouvez installer le LEVEL SWITCH 8110 dans n'importe quelle position. L'appareil doit seulement être monté de manière à ce que les lames vibrantes soient à la hauteur du point de commutation désiré.

N'oubliez pas que le point de commutation varie selon la position de montage.

Le point de commutation se rapporte à l'eau ($1 \text{ g/cm}^3/0.036 \text{ lbs/in}^3$). N'oubliez pas que le point de commutation de l'appareil se déplace lorsque le produit a une densité différente de l'eau.

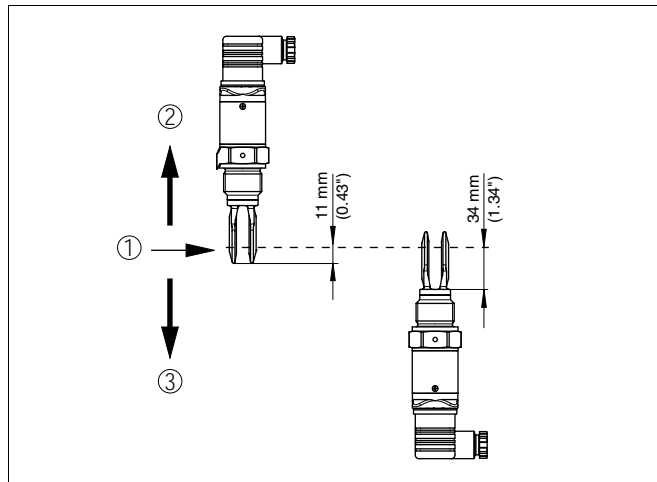


Fig. 2: Montage vertical

- 1 Point de commutation dans l'eau
- 2 Point de commutation avec plus faible densité
- 3 Point de commutation avec plus haute densité

Humidité

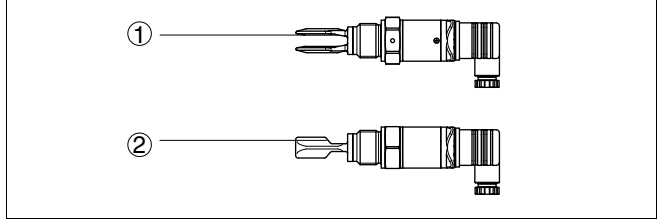


Fig. 3: Montage horizontal

- 1 Point de commutation
- 2 Point de commutation (position de montage recommandée, en particulier pour les produits colmatants)

Utilisez les câbles recommandés (voir au chapitre "Raccordement à l'alimentation") et serrez bien le presse-étoupe.

Vous protégerez en plus votre LEVEL SWITCH 8110 contre l'infiltration d'humidité en orientant le câble de raccordement devant le presse-étoupe vers le bas. Ainsi, l'eau de pluie ou de condensat pourra s'égoutter. Cela concerne en particulier les montages à l'extérieur ou dans des lieux où il faut s'attendre à de l'humidité (due par exemple à des processus de nettoyage) ou encore dans des cuves réfrigérées ou chauffées.

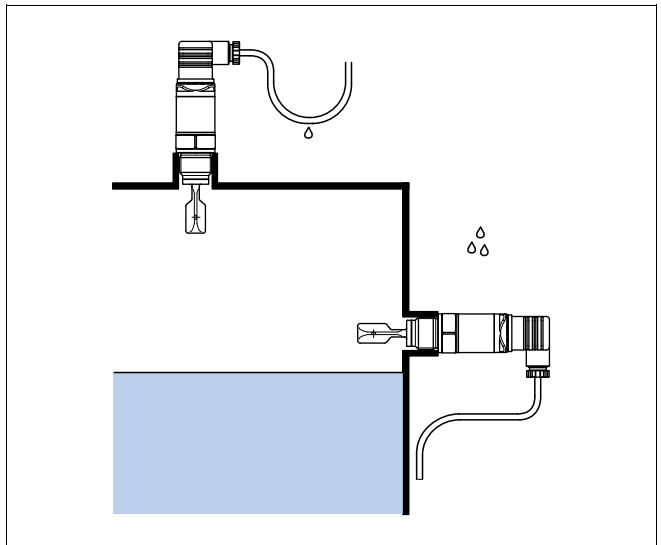


Fig. 4: Mesures prises contre l'infiltration d'humidité

Transport

Ne tenez pas le détecteur LEVEL SWITCH 8110 par les lames vibrantes.

Pression/sous vide

Vous aurez à étancher le raccord process en présence d'une surpression ou d'une dépression dans le réservoir. Assurez-vous avant d'utiliser l'appareil que le matériau du joint soit résistant au produit mesuré et aux températures régnant dans la cuve.

Reportez-vous pour la pression tolérée au chapitre des "*Caractéristiques techniques*" ou aux indications sur la plaque signalétique de l'appareil.

Manipement

Le détecteur vibrant est un appareil de mesure et doit donc être manipulé en conséquence. Une flexion de l'élément vibrant entraîne la destruction de l'appareil.

**Attention !**

N'utilisez jamais le boîtier pour visser l'appareil ! En serrant l'appareil par le boîtier, vous risquez d'endommager la mécanique de rotation du boîtier.

Utilisez le six pans au-dessus du filetage pour visser l'appareil.

4.2 Consignes de montage**Produits colmatants**

Dans le cas d'un montage horizontal sur des produits colmatants et visqueux, les lames doivent être positionnées l'une à côté de l'autre et non l'une au dessus de l'autre pour minimiser les dépôts de produit sur les lames. La position des lames est marquée par un repère sur le six pans du détecteur LEVEL SWITCH 8110. Ce marquage vous permet de contrôler la position des lames en vissant l'appareil. Lorsque le six pans a atteint le joint plat, vous pourrez encore continuer de tourner le raccord fileté d'un demi-tour environ, ce qui est suffisant pour atteindre la position de montage recommandée.

Avec des produits colmatants et visqueux, les lames vibrantes doivent être complètement en saillie dans le réservoir pour éviter des dépôts de produit. Veillez donc à ce que les rehausses utilisées pour brides et raccords à visser ne dépassent pas une certaine longueur.

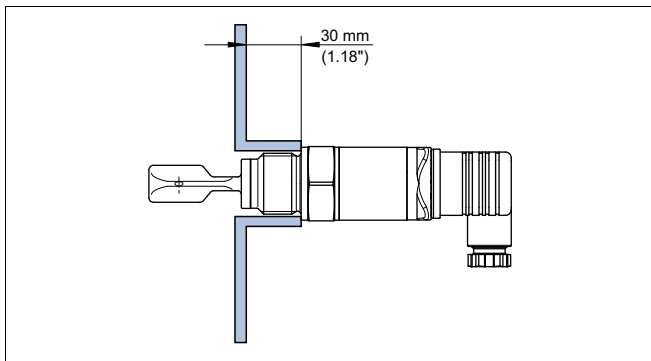


Fig. 5: Produits colmatants

Flot de produit

Si vous installez le LEVEL SWITCH 8110 dans le flot de remplissage, cela peut entraîner des mesures erronées. Pour l'éviter, nous vous recommandons d'installer le LEVEL SWITCH 8110 à un endroit de la cuve où il ne sera pas perturbé par des influences négatives telles que flots de remplissage ou agitateurs par exemple.

écoulements

Pour que les lames vibrantes du LEVEL SWITCH 8110 offrent le moins de résistance possible en présence de surfaces agitées, la surface des lames doit être parallèle au sens d'écoulement du produit.

5 Raccordement à l'alimentation en tension

5.1 Préparation du raccordement

Respecter les consignes de sécurité

Respectez toujours les consignes de sécurité suivantes :

- Raccorder l'appareil uniquement hors tension

Câble de raccordement

L'appareil sera raccordé par du câble bifilaire usuel non blindé. Si vous vous attendez à des perturbations électromagnétiques pouvant être supérieures aux valeurs de test de l'EN 61326 pour zones industrielles, il faudra utiliser du câble blindé.

Utilisez un câble à section ronde. Sélectionnez le diamètre extérieur du câble en fonction du type de connecteur utilisé pour garantir l'étanchéité au presse-étoupe.

- Connecteur type électrovanne ISO 4400, \varnothing 4,5 ... 7 mm
- Connecteur type électrovanne ISO 4400 avec raccordement selon la technique à borne guillotine, \varnothing 5,5 ... 8 mm

Presse-étoupes

Utilisez du câble à section ronde et serrez bien les presse-étoupe.

L'étanchéité du presse-étoupe est particulièrement importante lors de montages à l'extérieur, sur des cuves réfrigérées ou dans des zones exposées à l'humidité dans lesquelles par ex., le nettoyage est effectué par vapeur ou par haute pression.

MAN 1000082738 ML Version: C Stags: RL (released | freigegeben) 05.05.2026

5.2 Schéma de raccordement

Aperçu des boîtiers

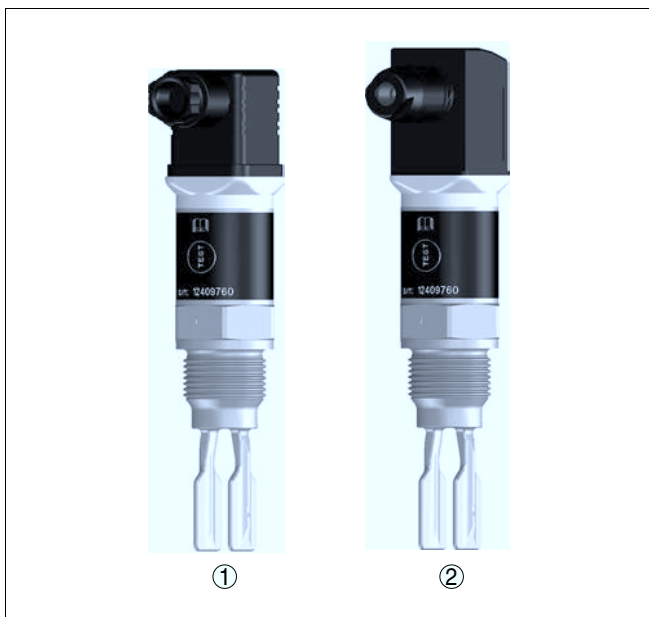


Fig. 6: Aperçu des variantes de raccordement

- 1 Connecteur à fiches M12 x 1
- 2 Connecteur type électrovanne ISO 4400
- 3 Connecteur type électrovanne ISO 4400 avec technique de borne guillotine

versions de connecteur

Connecteur à fiches M12 x 1

Cette fiche de raccordement nécessite un câble surmoulé avec connecteur. Protection IP 66/IP 67.

Connecteur type électrovanne ISO 4400

Pour cette variante de connecteur, vous pouvez utiliser du câble usuel à section ronde. Diamètre du câble compris entre 4,5 et 7 mm, protection IP 65.

MAN-1000082738 ML Version: C Status: RL (released | freigegeben) printed: 14.05.2026

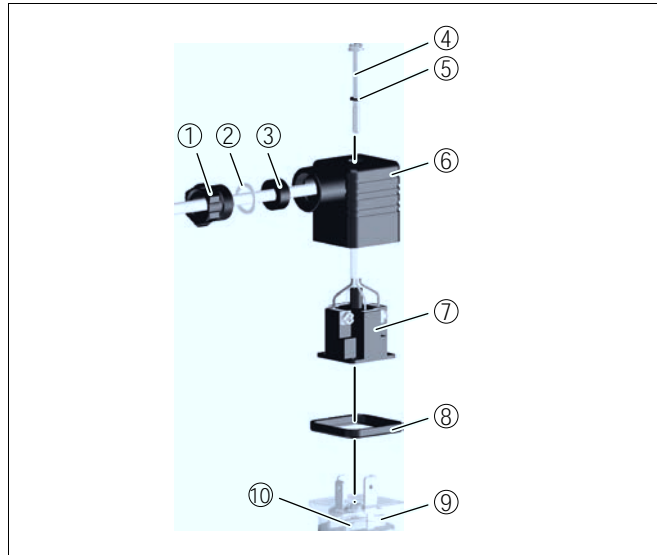


Fig. 7: Raccordement connecteur type électrovanne ISO 4400

- 1 Vis pression
- 2 Rondelle de pression
- 3 Anneau d'étanchéité
- 4 Vis de fixation
- 5 Joint d'étanchéité plat
- 6 Boîtier du connecteur
- 7 Insert du connecteur
- 8 Joint profilé
- 9 Témoin de contrôle
- 10 LEVEL SWITCH 8110

Connecteur type électrovanne ISO 4400 avec technique de borne guillotine

Pour ce type de connecteur, vous pouvez utiliser un câble usuel à section ronde. Il n'est pas nécessaire de dénuder les lignes internes. En vissant le connecteur, vous reliez en même temps les lignes. Diamètre du câble 5,5 ... 8 mm, protection IP 67.

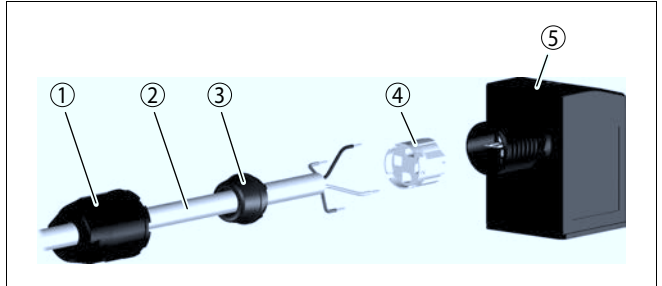


Fig. 8: Raccordement connecteur type électrovanne ISO 4400 avec technique de borne guillotine

- 1 Écrou flottant
- 2 Câble
- 3 Anneau d'étanchéité
- 4 Bornier
- 5 Boîtier du connecteur

Sortie transistor

Pour la connexion aux entrées binaires d'un API.

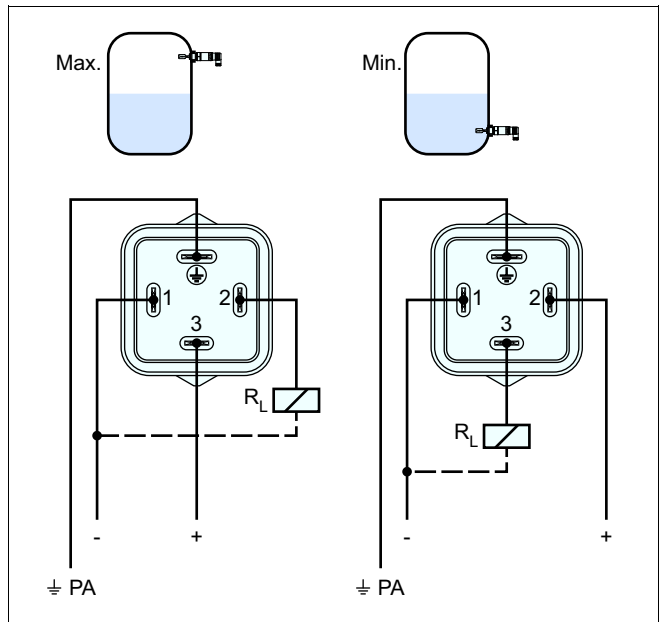


Fig. 9: Schéma de raccordement, sortie transistor pour connecteur type électrovanne ISO 4400

PA Compensation de potentiel

R_L Résistance de charge (contacteur électromagnétique, relais, etc.)

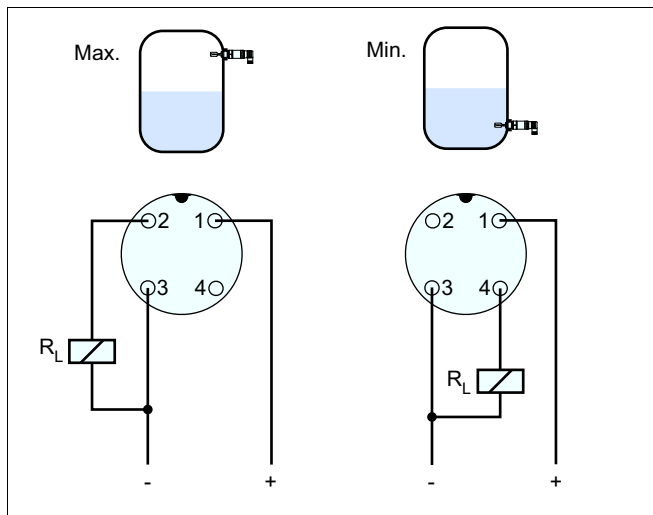


Fig. 10: Schéma de raccordement (boîtier), sortie transistor avec connecteur mâle-femelle M12 x 1

- 1 Brun(e)
 - 2 Blanc(he)
 - 3 Bleu(e)
 - 4 Noir(e)
- R_L Résistance de charge (contacteur électromagnétique, relais, etc.)

6 Mettre en service

6.1 Affichage de l'état de commutation

L'état de commutation de l'électronique peut être contrôlé par les témoins de contrôle intégrés (LED) sur la partie supérieure du boîtier.

Les témoins de contrôle ont la signification suivante :

- Témoin vert allumé - alimentation tension connectée
- Témoin jaune allumé - élément vibrant couvert
- Témoin rouge allumé brièvement - test de fonctionnement à la mise en marche de l'appareil (pendant 0,5 sec.)
- Témoin rouge allumé - Court-circuit ou surcharge dans le circuit de charge (sortie du capteur a une valeur ohmique élevée)
- Rouge clignote - Erreur à l'élément vibrant ou à l'électronique (sortie du capteur à haute impédance)

6.2 Simulation

Le LEVEL SWITCH 8110 a une fonction intégrée qui peut être activée magnétiquement pour la simulation du signal de sortie. Procédez comme suit :

- Maintenir l'aimant de test (accessoire) sur le cercle portant l'inscription "TEST" sur le boîtier de l'appareil

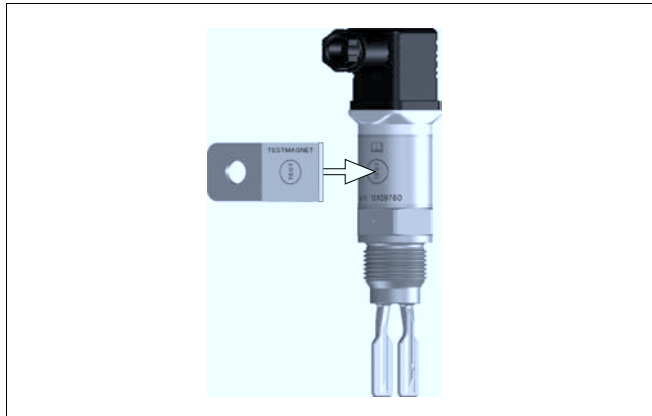


Fig. 11: Simulation du signal de sortie

L'aimant de test modifie l'état de commutation actuel de l'appareil. Vous pouvez contrôler les modifications par le témoin de contrôle. Tenez compte que les appareils asservis seront activés pendant la simulation.

Si le détecteur LEVEL SWITCH 8110 ne commute pas après plusieurs essais avec l'aimant de test, vérifiez le raccordement par connecteur et la ligne de liaison et effectuez un nouvel essai. Si l'appareil ne commute toujours pas, il y a un défaut de l'électronique. Dans ce cas, il faudra remplacer l'électronique ou retournez l'appareil à notre service de réparation.



Avertissement !

N'oubliez surtout pas d'enlever l'aimant du boîtier à la fin de la simulation.

6.3 Tableau de fonctionnement

Le tableau ci-dessous vous donne un aperçu des états de commutation en fonction du mode de fonctionnement réglé et du niveau.

Status: RL	Niveau	État de commutation	Témoin de contrôle Jaune - état de l'immersion	Témoin de contrôle Vert - Indication de tension	Témoin de contrôle Rouge - signalisation de défaut
Mode de fonctionnement max. ML Version 1000082		fermé	○		○
Mode de fonctionnement max. ML Version 1000082		Ouvert			○
Mode de fonctionnement min. ML Version 1000082		fermé			○
Mode de fonctionnement min.		Ouvert	○		○
Anomalie	Quelconque	Ouvert	Quelconque		

7 Maintenance et élimination des défauts

7.1 Maintenance

Si l'on respecte les conditions d'utilisation, aucun entretien particulier ne sera nécessaire en fonctionnement normal.

7.2 Éliminer les anomalies

C'est à l'exploitant de l'installation qu'il incombe la responsabilité de prendre les mesures appropriées pour éliminer les défauts survenus.

Le LEVEL SWITCH 8110 vous offre une très haute sécurité de fonctionnement. Toutefois, des défauts peuvent apparaître pendant le fonctionnement de l'appareil. Ces défauts peuvent par exemple avoir les causes suivantes :

- Capteur
- Process
- Tension d'alimentation
- Exploitation des signaux

Vérifier en premier le signal de sortie. Dans de nombreux cas, il est ainsi possible de constater les causes de ces défauts et y remédier.

MAN 1000082738 Version: C Status: RL (released for sale) printed: 14.05.2026

Comportement en cas de défauts

Causes du défaut

Élimination des défauts

Vérifier le signal de commutation

Erreur	Cause	Suppression
Témoin vert éteint	Alimentation interrompue	Contrôlez l'alimentation et la liaison des câbles.
	Électronique défectueuse	Remplacer l'appareil ou le retourner au service réparation
Témoin rouge allumé (sortie de commutation a une valeur ohmique élevée)	Erreur lors du raccordement électrique	Raccordez l'appareil selon le schéma de raccordement
	Court-circuit ou surcharge.	Contrôlez le branchement électrique.
Témoin rouge clignote (sortie de commutation a une valeur ohmique élevée)	Fréquence de vibration en dehors de la spécification	Assurez-vous qu'il n'y a ni colmatages, ni dépôts sur l'élément vibrant. Si c'est le cas, éliminez-les
	Colmatages sur l'élément vibrant	Assurez-vous qu'il n'y a aucun colmatage sur l'élément vibrant et le manchon et si c'est le cas, éliminez-les
	Élément vibrant endommagé	Vérifiez si la lame vibrante est détériorée ou si elle a une importante corrosion

**Comportement après
élimination des défauts**

Suivant la cause du défaut et les mesures prises pour l'éliminer, il faudra le cas échéant recommencer les étapes décrites au chapitre "*Mise en service*".

MAN 1000082738 ML Version: C Status: RL (released | freigegeben) printed: 14.05.2022

8 Démonter

8.1 Étapes de démontage



Attention !

Avant de démonter l'appareil, prenez garde aux conditions de process dangereuses comme par exemple pression dans la cuve, hautes températures, produits agressifs ou toxiques etc.

Suivez les indications des chapitres "*Montage*" et "*Raccordement à l'alimentation en tension*" et procédez de la même manière mais en sens inverse.

8.2 Éliminer

L'appareil se compose de matériaux recyclables par des entreprises spécialisées. À cet effet, l'électronique a été conçue facilement détachable et les matériaux utilisés sont recyclables.

Directive DEEE 2002/96/CE

Le présent appareil n'est pas soumis à la directive DEEE 2002/96/CE et aux lois nationales respectives. Apportez l'appareil directement à une entreprise de recyclage spécialisée et n'utilisez pas les points de récupération communaux. Ceux-ci sont destinés uniquement à des produits à usage privé conformément à la réglementation DEEE.

Une récupération professionnelle évite les effets négatifs pouvant agir sur l'homme et son environnement tout en préservant la valeur des matières premières par un recyclage adéquat.

Matériaux : voir au chapitre "*Caractéristiques techniques*"

Au cas où vous n'auriez pas la possibilité de faire recycler le vieil appareil par une entreprise spécialisée, contactez-nous. Nous vous conseillerons sur les possibilités de reprise et de recyclage.

9 Annexe

9.1 Caractéristiques techniques

Données générales

Matériau 316L correspond à 1.4404 ou à 1.4435

Matériaux, en contact avec le produit

- Lames vibrantes 316L
- Joint de process Klingersil C-4400
- Raccords process 316L

Matériaux, sans contact avec le produit

- Boîtier 316L et plastique PEI
- Poids env. 250 g (9 oz)

Raccords process

- Filetage pas du gaz, cylindrique (DIN 3852-A) G $\frac{1}{2}$ A, G $\frac{3}{4}$ A, G1 A
- Filetage pas du gaz américain, conique (ASME B1.20.1) $\frac{1}{2}$ NPT, $\frac{3}{4}$ NPT, 1 NPT
- Raccords alimentaires Clamp 1", Clamp 1 $\frac{1}{2}$ ", Clamp 2" PN 16 DIN 32676, ISO 2852/316L, raccord union DN 25 PN 40, raccord union DN 40 PN 40, raccord union DN 50 PN 25, SMS DN 38 PN 6

Couple de serrage maxi. - raccord process

- Filetage, G $\frac{1}{2}$ A, $\frac{1}{2}$ NPT 50 Nm (37 lbf ft)
- Filetage G $\frac{3}{4}$ A, $\frac{3}{4}$ NPT 75 Nm (55 lbf ft)
- Filetage G1 A, 1 NPT 100 Nm (73 lbf ft)

Index de rugosité de surface

- Standard $R_a < 3,2 \mu\text{m}$ (1.26⁻⁴ in)
- Version alimentaire $R_a < 0,8 \mu\text{m}$ (3.15⁻⁵ in)

Précision de mesure

- Hystérésis Env. 2 mm (0.08 in) pour montage vertical
- Retard de commutation Env. 500 ms (ON/OFF)
- Fréquence de mesure Env. 1100 Hz

Conditions ambiantes

- Température ambiante au boîtier -40 ... +70 °C (-40 ... +158 °F)
- Température de stockage et de transport -40 ... +80 °C (-40 ... +176 °F)

Conditions de process

- Pression process -1 ... 64 bar/-100 ... 6400 kPa (-14.5 ... 928 psig)
- Température process - standard -40 ... +100 °C (-40 ... +212 °F)

MAN 1000082738-ML-Versio...
C-Status...
(released | freigegeben) printed: 14.05.2026

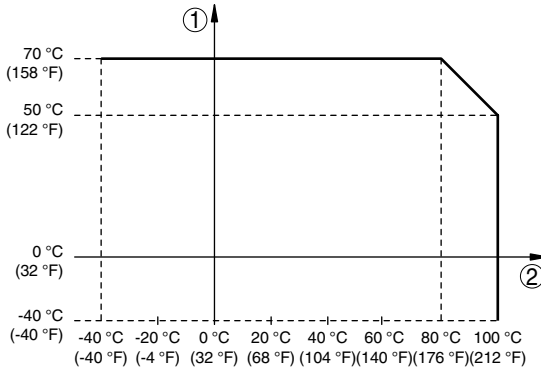


Fig. 30: Dépendance entre température ambiante et température du process

1 Température ambiante en °C (°F)
2 Température process en °C (°F)

Température process - version haute tem- -40 ... +150 °C (-40 ... +302 °F)
pérature (en option)

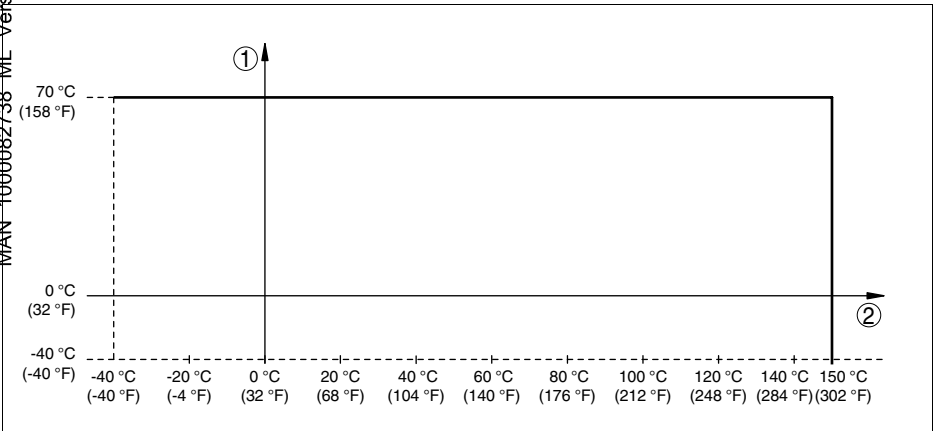


Fig. 31: Dépendance entre température ambiante et température du process

1 Température ambiante en °C (°F)
2 Température process en °C (°F)

Viscosité - dynamique	0,1 ... 10000 mPa s
Vitesse d'écoulement	Max. 6 m/s (pour une viscosité de 10.000 mPa s)
Densité	0,7 ... 2,5 g/cm ³ (0.025 ... 0.09 lbs/in ³)

41764-FR-130515

Réglage et configuration

Raccordements par connecteur	spécification voir " <i>Raccordement à l'alimentation</i> "
Témoins de contrôle (LED)	
– Vert	Tension d'alimentation connectée
– Jaune	Élément vibrant couvert
– Rouge	Anomalie

Grandeur de sortie

Sortie	Sortie transistor PNP
Courant de charge	max. 250 mA (sortie, protégée contre les courts-circuits permanents)
Chute de tension	< 3 V
Tension de commutation	< 34 V DC
Courant de blocage	< 10 μ A
Mode de fonctionnement	
– Min./Max.	Inversion par raccordement électronique
– Max.	Protection antidébordement
– Min.	Protection contre la marche à vide

Tension d'alimentation

Tension de service	9,6 ... 35 V DC
Consommation	Max. 0,5 W

Caractéristiques électromécaniques

Connecteur type électrovanne ISO 4400	
– Section des conducteurs	1,5 mm ² (0.06 in ²)
– Diamètre extérieur du câble	4,5 ... 7 mm (0.18 ... 0.28 in)
Connecteur type électrovanne ISO 4400 avec technique de borne guillotine	
– Section des conducteurs	pour section de conducteur 0,5 ... 1 mm ² (0.02 ... 0.04 in ²)
– Diamètre du conducteur simple	> 0,1 mm (0.004 in)
– Diamètre du conducteur	1,6 ... 2 mm ² (0.06 ... 0.08 in ²)
– Diamètre extérieur du câble	5,5 ... 8 mm (0.22 ... 0.31 in)
– Fréquence de raccordement	10 x (sur la même section)

Mesures de protection électrique

Type de protection	
– Connecteur type électrovanne ISO 4400	IP 65
– Connecteur type électrovanne ISO 4400 avec technique de borne guillotine	IP 67
– Connecteur à fiches M12 x 1	IP 66/IP 67

catégorie de surtensions	III
classe de protection	II

MAN 1000082738 ML Version: C Status: RL (released | freigegeben) printed: 14.06.2016

9.2 Dimensions

LEVEL SWITCH 8110, version standard - Filetage G $\frac{1}{2}$ A, $\frac{1}{2}$ NPT

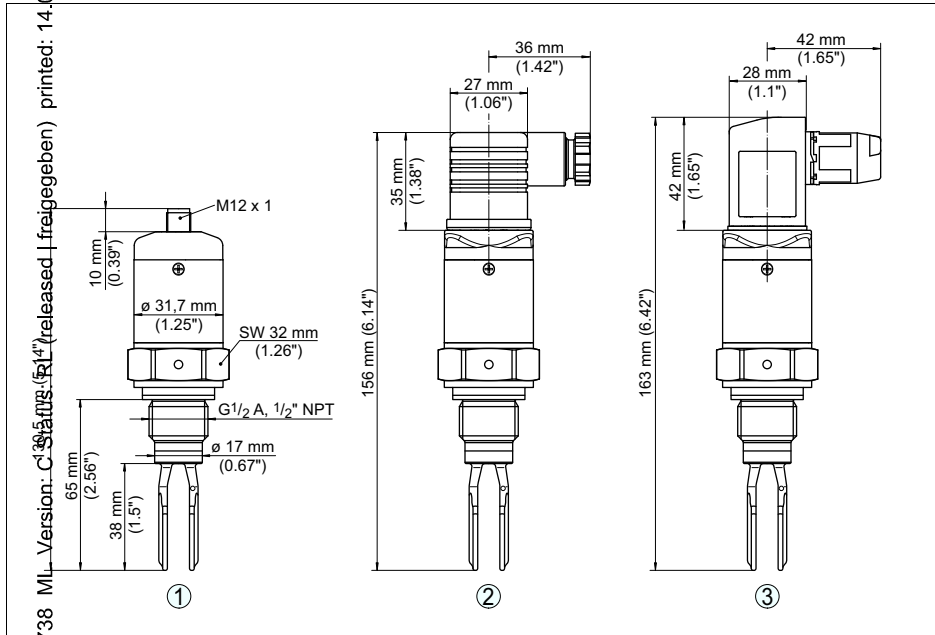


Fig. 02: LEVEL SWITCH 8110, version standard - Filetage G $\frac{1}{2}$ A, $\frac{1}{2}$ NPT

- 1 Filetage G $\frac{1}{2}$ A (DIN ISO 228/1), $\frac{1}{2}$ NPT (M12 x 1)¹⁾
- 2 Filetage G $\frac{1}{2}$ A (DIN ISO 228/1), $\frac{1}{2}$ NPT (connecteur type électrovanne ISO 4400)
- 3 Filetage G $\frac{1}{2}$ A (DIN ISO 228/1), $\frac{1}{2}$ NPT (connecteur type électrovanne ISO 4400 avec technique à borne Mullotite)

¹⁾ Tenez compte que le connecteur augmente la longueur totale de l'appareil.

LEVEL SWITCH 8110, version standard - Filetage G $\frac{3}{4}$ A, G1 A / $\frac{3}{4}$ NPT, 1 NPT

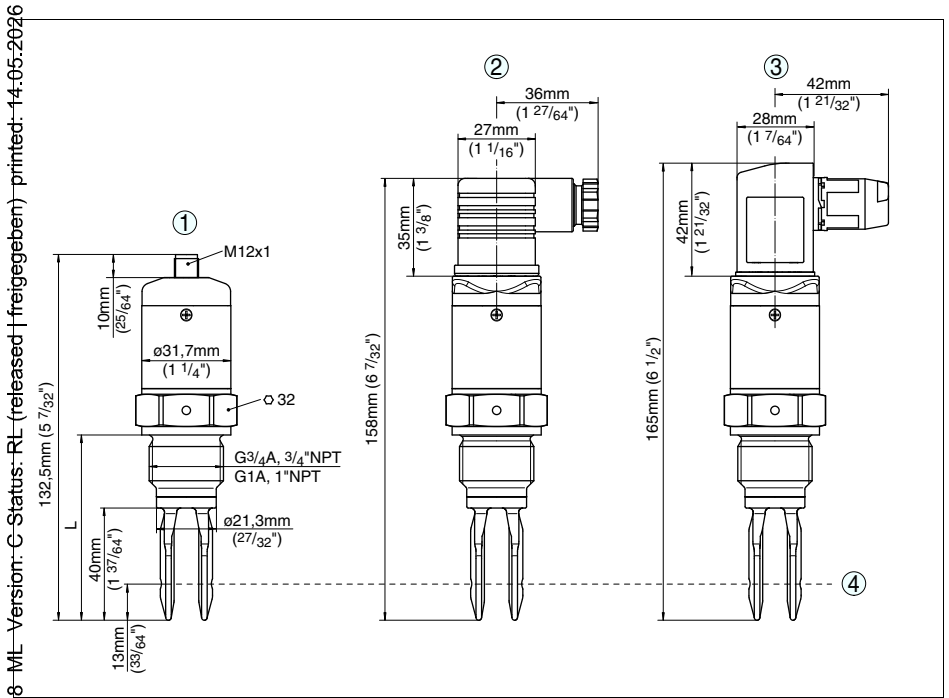


Fig. 33: LEVEL SWITCH 8110, version standard - Filetage G $\frac{3}{4}$ A, G1 A / $\frac{3}{4}$ NPT, 1 NPT

Filetage G $\frac{3}{4}$ A, G1 A (DIN ISO 228/1), $\frac{3}{4}$ NPT ou 1 NPT (M12 x 1)²⁾

Filetage G $\frac{3}{4}$ A, G1 A (DIN ISO 228/1), $\frac{3}{4}$ NPT ou 1 NPT (connecteur type électrovanne ISO 4400)

Filetage G $\frac{3}{4}$ A, G1 A (DIN ISO 228/1), $\frac{3}{4}$ NPT ou 1 NPT (connecteur type électrovanne ISO 4400 avec technique à borne guillotiné)

Point de commutation

L Longueur pour G $\frac{3}{4}$ A, $\frac{3}{4}$ NPT : 66 mm (2.6 in)

L Longueur pour G1 A, 1 NPT : 69 mm (2.7 in)

²⁾ Tenez compte que le connecteur augmente la longueur totale de l'appareil.

MAN 010008738-ML- Version: C Status: RL (released | freigegeben) - printed: 14.05.2026

LEVEL SWITCH 8110, version haute température

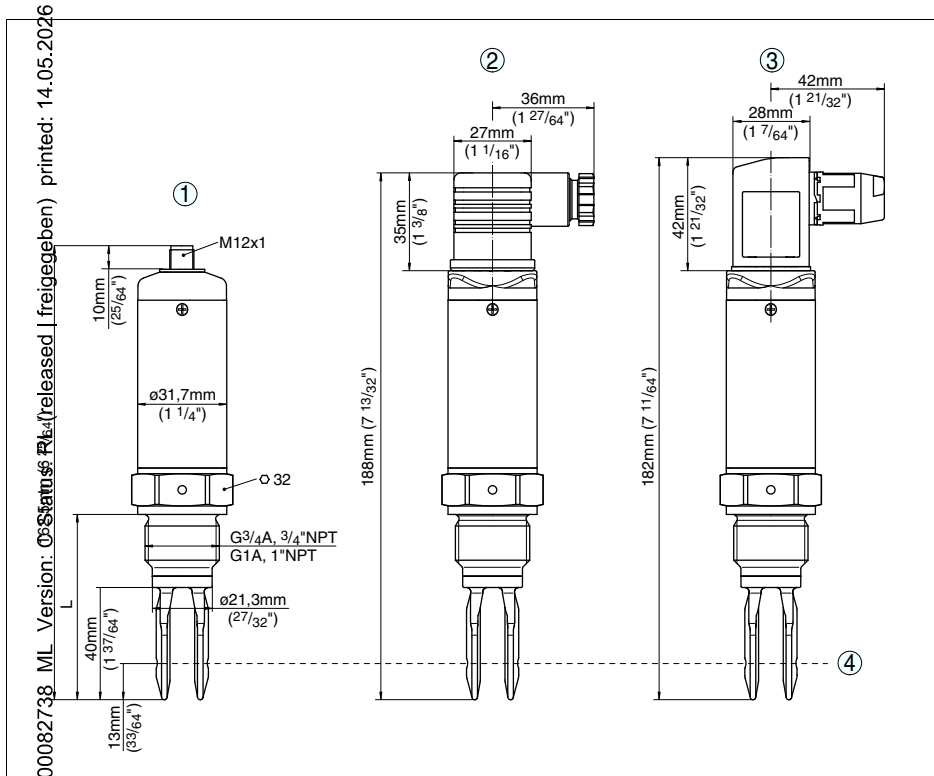


Fig. 34: LEVEL SWITCH 8110, version haute température

- 1 Filetage G $\frac{3}{4}$ A, G1 A (DIN ISO 228/1), $\frac{3}{4}$ NPT ou 1 NPT (M12 x 1)³⁾
 - 2 Filetage G $\frac{3}{4}$ A, G1 A (DIN ISO 228/1), $\frac{3}{4}$ NPT ou 1 NPT (connecteur type électrovanne ISO 4400)
 - 3 Filetage G $\frac{3}{4}$ A (DIN ISO 228/1), $\frac{3}{4}$ NPT ou 1 NPT (connecteur type électrovanne ISO 4400 avec technique à borne guillotine)
 - 4 Point de commutation
- L Longueur pour G $\frac{3}{4}$ A, $\frac{3}{4}$ NPT : 66 mm (2.6 in)
 L Longueur pour G1 A, 1 NPT : 69 mm (2.7 in)

³⁾ Tenez compte que le connecteur augmente la longueur totale de l'appareil.

LEVEL SWITCH 8110, versions alimentaires

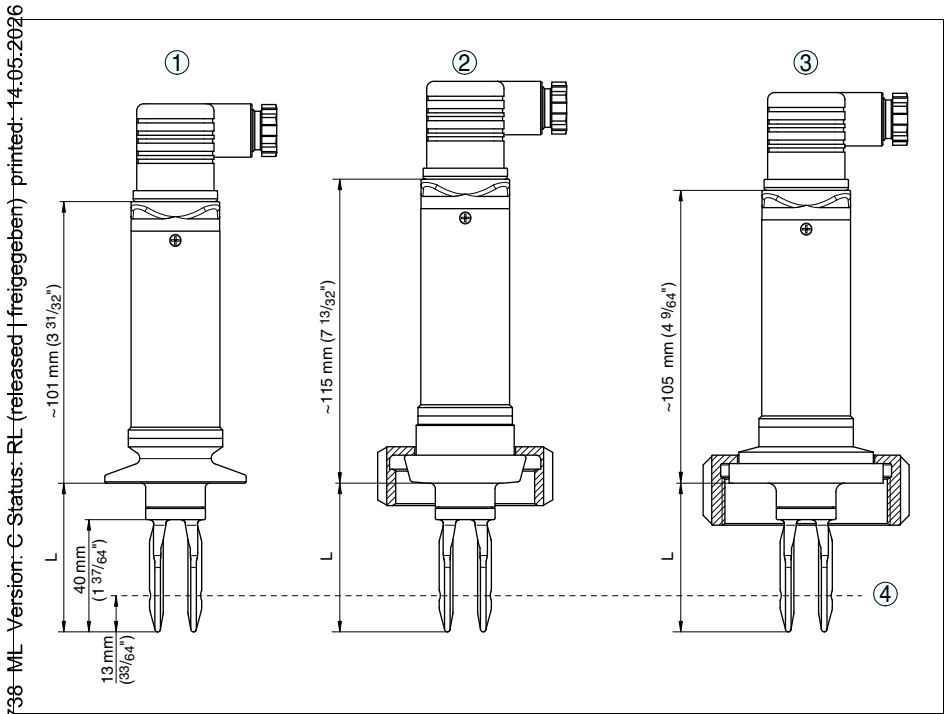


Fig. 35: LEVEL SWITCH 8110, versions alimentaires
 Clamp (connecteur type électrovanne ISO 4400)
 Raccord union (connecteur type électrovanne ISO 4400)
 SMS 1145 (connecteur de type électrovanne ISO 4400)
 Point de commutation
 Longueur avec Tri-Clamp: 53 mm (2.1 in)
 L Longueur avec raccord union: 53 mm (2.1 in)
 L Longueur avec SMS 1145: 53 mm (2.1 in)

MAN 100092738-ML- Version: C-Status: RL- (released | freigegeben) printed: 14.05.2026

MAN 1000082738 ML Version: C Status: RL (released | freigegeben) printed: 14.05.2026

The smart choice
of Fluid Control Systems
www.burkert.com



41764-FR-130515