

Overpressure Protector Type 910.13

WIKA Datasheet 910.13

Applications

- Adjustable overpressure protectors are intended to protect pressure gauges against the effect of pressures exceeding their maximum pressure rating
- Stainless steel version for corrosive pressure media, even in corrosive ambience
- Process industry: mechanical engineering and plant construction, chemical/petro-chemical, power stations, mining, on- and offshore, environmental technology

Special Features

- 7 different setting ranges selectable
- Minimum pressure to 6 psi (0.4 bar)
- Maximum pressure to 8700 psi (600 bar)
- Overpressure safe up to 14,500 psi (1000 bar)
- Vacuum safe

Description

The overpressure protector consists of a spring loaded piston valve. Under normal pressure conditions the spring holds the valve open. When the system pressure exceeds the set pressure, the force exerted by the spring is overcome and the valve closes. The valve will remain closed until the system pressure drops approximately 25% below the closing pressure, where-upon the force of the spring will open the valve.

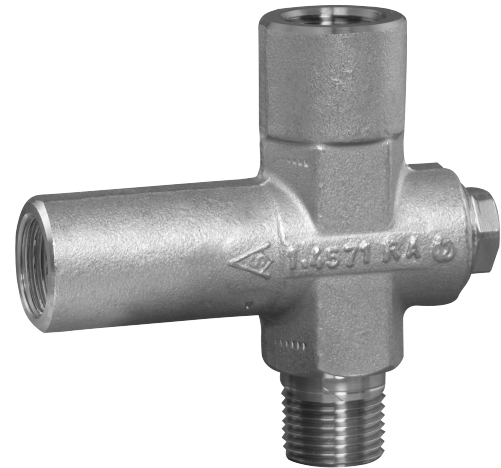
To change pressure setting:

Turn adjusting screw clockwise ⇒ closing pressure higher

Turn adjusting screw counter clockwise ⇒ closing pressure lower.

*Overpressure protectors must not be used as process control devices.

*Before/after adjusting, the set screw (lock screw) has to be opened/closed.



Overpressure protector - male inlet, female outlet

Standard Features

Pressure Connection

1/2" NPT male inlet, female outlet
Other threaded connection sizes available

Body

316Ti SS

Piston Valve

316Ti SS

O-Ring

FPM (Viton)

Operating Temperature (Media)

212 °F (100 °C maximum)

Certificates

Stainless steel over-pressure protectors come with NACE and 3.1 materials certificates

Optional Extras (by special order)

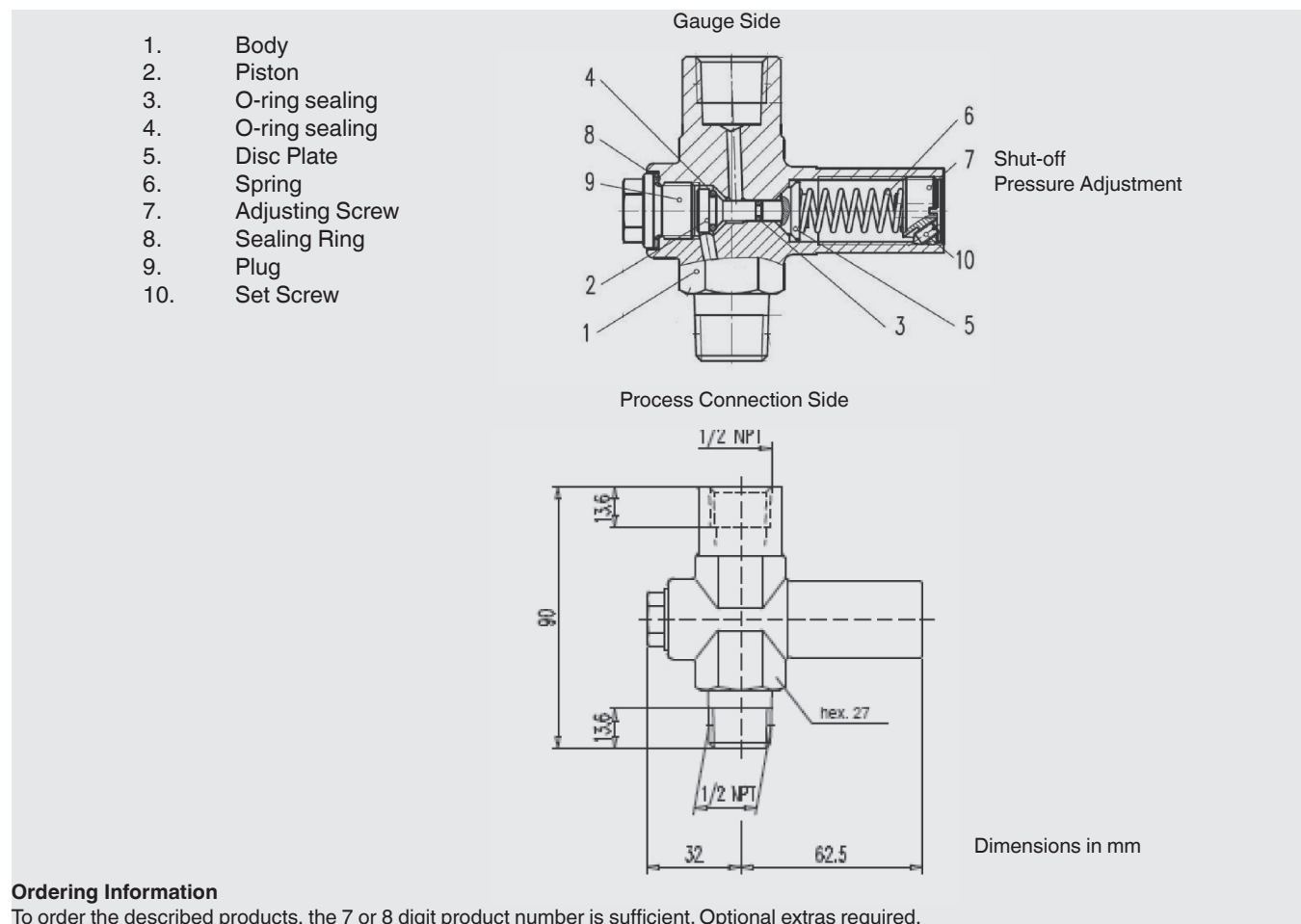
- Other thread connections: 1/4" NPT, G1/4B and G1/2B
- Other materials: Brass, Monel® 400
- Oxygen service (oil and grease free)
- Mounted on pressure gauge with customer specifications, includes SS tag (note 2)
- Overpressure protector set to customer specifications, includes SS tag (note 2)

Selectable versions

Range (bar)	0.4 to 2.5	2 to 6	5 to 25	20 to 60	50 to 250	240 to 400	400 to 600
Range (psi)	6 to 35	30 to 85	85 to 365	290 to 870	725 to 3625	3500 to 5800	5800 to 8700
Standard Part Number ¹	50668765	2003741	2142735	52387917	52081729	50667882	50311115
Factory Set Part Number ²	52815725	52313573	52290174	52732682	52409881	52591239	52850599

Note 1: Standard items do not come pre-set from factory.

Note 2: Items come pre-set from factory at 1.1 times of full scale, unless otherwise specified by customer.



Ordering Information

To order the described products, the 7 or 8 digit product number is sufficient. Optional extras required.



WIKA Instrument, LP

1000 Wiegand Boulevard
 Lawrenceville, GA 30043-5868
 Tel: 888-WIKA-USA • 770-513-8200
 Fax: 770-338-5118
 E-Mail: info@wika.com
 www.wika.com