



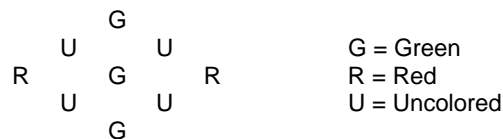
MITE 70
Snap-acting control relay
with manual reset

GENERAL

1. Instrument air signal is connected to either one of the two 1/4" ("A") connections provided. If the other "A" connection is not used, it must be plugged to prevent loss of instrument signal pressure.
2. MITE trips when signal at "A" decreases to pre-established trip setting.
3. The "B" output connection is locked up when MITE is tripped. The "C" output connections are vented to atmosphere when MITE is tripped. Either "B" or "C" must be plugged if not required to prevent loss of instrument signal pressure; however, both may be used simultaneously.
4. To adjust trip setting:
 - a. Loosen locknut (2).
 - b. Turn adjustment screw (1) counterclockwise until it disengages ball (3) at top of spring assembly.
 - c. Establish trip-out pressure condition at "A".
 - d. Press manual reset button (11) to put MITE into operation.
 - e. Turn adjusting screw slowly clockwise until trip occurs.
 - f. Retighten locknut.
5. After the instrument signal pressure has been restored to approximately 10% above the "trip setting", the MITE can be reset by pressing the manual reset button (11).

ALTERING RANGE OF AVAILABLE TRIP SETTINGS

1. Trip settings from 1 to 100 PSIG can be obtained by changing the number of springs within the MITE top cover (6).
2. When operating within the trip range 60 to 100 PSIG, all nine springs are employed in accordance with the following layout and color coding:



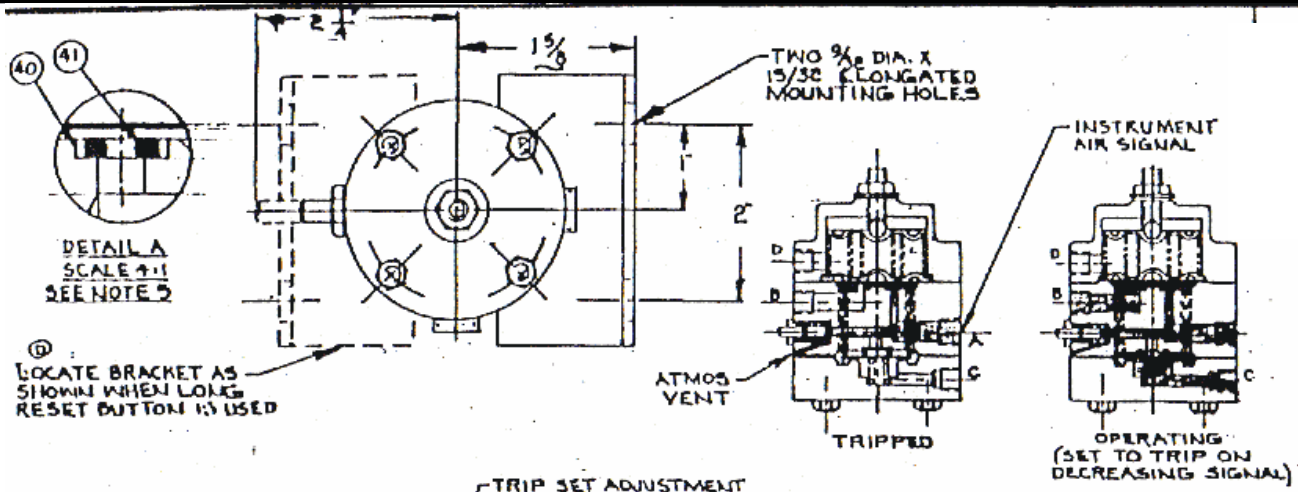
3. To operate within the trip range 25 to 65 PSIG, remove all of the "green" springs.
4. To operate within the trip range 1 to 30 PSIG, remove both the "green" and the "red" springs.

REMOTE PNEUMATIC TRIP (CONNECTION "D")

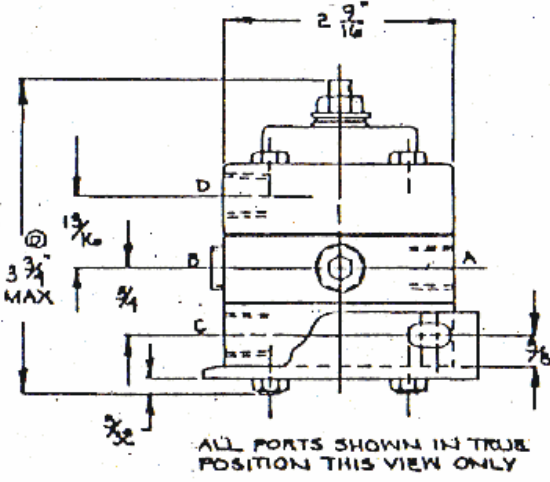
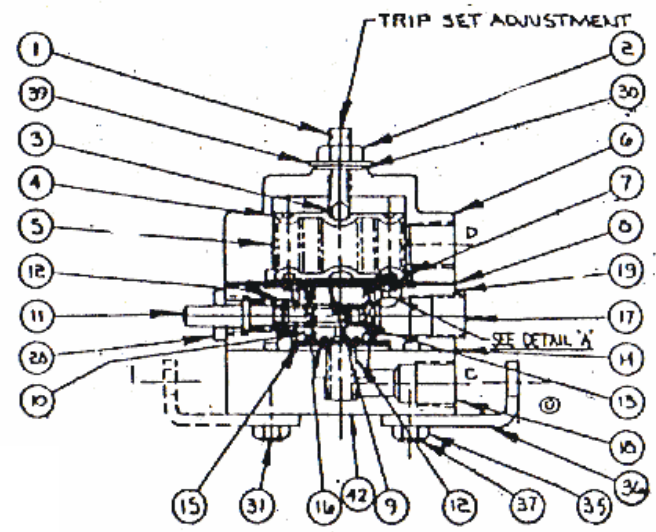
1. This connection should be left open to atmosphere when not in use.
2. Pressure applied to connection "D" will cause MITE to trip provided that pressure applied is greater than the difference between "trip setting" and the instantaneous pressure at "A". Provision must be made to vent "D" to atmosphere after trip has occurred in order to restore MITE to normal operation.
3. MITE can be set to trip on increasing pressure at "D" provided that a constant supply pressure (greater than the "D" trip-out pressure) is furnished at "A". This supply pressure will appear at "B" and "C" when MITE is in operation. "Trip setting" is adjusted as explained above, except that trip-out pressure conditions must be established at both "A" and "D" before step 4d.

LIMITED WARRANTY & DISCLAIMER

ControlAir, Inc. products are warranted to be free from defects in materials and workmanship for a period of eighteen months from the date of sale, provided said products are used according to ControlAir, Inc. recommended usages. ControlAir, Inc.'s liability is limited to the repair, purchase price refund, or replacement in kind, at ControlAir, Inc.'s sole option, of any products proved defective. ControlAir, Inc. reserves the right to discontinue manufacture of any products or change products materials, designs or specifications without notice. Note: ControlAir does not assume responsibility for the selection, use, or maintenance of any product. Responsibility for the proper selection, use, and maintenance of any ControlAir product remains solely with the purchaser and end user.



LOCATE BRACKET AS SHOWN WHEN LOCK RESET BUTTON IS USED



OPERATION
 A. INSTRUMENT AIR SIGNAL-INPUT
 B. SIGNAL OUTPUT (LOCK-UP ON TRIP)
 C. SIGNAL OUTPUT (VENT TO ATMOS. ON TRIP)
 D. REMOTE PNEUMATIC TRIP

* RECOMMENDED SPARE PARTS

QTY	DESCRIPTION	MATERIAL
42	DECAL	VINYL
41	D-RING	BUNA-N
40	SPACER RING	AA BLACK
39	WASHER	ST. STEEL
37	STUD	ST. STEEL
36	BRACKET	AA BLACK
35	HEX NUT	ST. STEEL
31	STUD	ST. STEEL
30	THREADSEAL	MISC.
26	RESET BUTTON RETAINER	BRASS
19	ROUTING RING	AA BLACK
18	BOTTOM COVER	AA BLACK
17	SOCKET PIPE PLUG	BRASS
16	O-RING	BUNA-N
15	LOWER DIAPH. DISC.	ALUM.
14	GASKET	NEOPRENE
13	O-RING	BUNA-N
12	SPRING	C.C. STEEL
11	RESET BUTTON	BRASS
10	PUSHER	303 ST. STEEL
9	UPPER DIAPH. DISC.	ALUM.
8	UPPER DIAPH.	NRN
7	LOWER SPRING RETAINER	C STEEL
6	TOP COVER	AA BLACK
5	SPRING	C STEEL
4	UPPER SPRING RETAINER	C STEEL
3	BALL	STEEL
2	LOCKNUT	ST. STEEL
1	ADJUSTING SCREW	ST. STEEL
EMPTY	DESCRIPTION	MATERIAL

PARTS LIST