

SERVOFLEX MiniHD (5200)

RUGGED AND DURABLE OXYGEN, CARBON MONOXIDE AND CARBON DIOXIDE PORTABLE ANALYZER DESIGNED FOR FIELD AND LIGHT INDUSTRIAL USE



SERVOFLEX MiniHD (5200)

The MiniHD (5200) is an ultra-sensitive analyzer designed for O₂, CO and CO₂ monitoring in common gas mixtures. With a rugged and durable design, the MiniHD is optimized for use in both the field and also light industrial applications.

In addition to its leading-edge analytical capability, the MiniHD delivers a feature-rich suite of added benefits including intuitive, user-friendly operation, reduced ongoing cost of ownership through simplified maintenance and long battery run time for maximized device uptime. No matter where your job takes you, MiniHD is an able companion that can deliver on all levels.

FLEXIBLE

- Accurate measurement of O₂, CO and CO₂ levels with no background interference
- Internal pump option or AFCD option for pressurised samples
- Ideal for diverse field and light industrial applications including physiology studies, research, combustion optimization, transformer entry, and medical gas verification

EASY TO USE

- Quick start up and use
- Intuitive, user-friendly interaction and interface
- Long life Li-Ion battery power for maximized uptime
- Ergonomic, small design that is ideal for field use

LOW COST OF OWNERSHIP

- Non-depleting technologies maximize availability and reduce maintenance/running costs
- Simplified calibration and ongoing maintenance

UNRIVALLED PERFORMANCE

- Patented Paramagnetic and Infrared technologies for ultra-sensitive monitoring with complete reliability
- Precision single measurement operation
- Manufactured by Servomex - over 60 years' experience innovating and pioneering gas analysis with thousands of units used in the field every year

BENCHMARK COMPLIANCE

- UL approved and CE marked 100-240V / 43-70Hz AC power supply
- CE marked and in compliance with EEC, EMC and WEEE Directives

Learn more about the SERVOFLEX MiniHD (5200)
VISIT SERVOMEX.COM



SERVOMEX.COM

PRODUCT OVERVIEW: MiniHD (5200)

RELIABILITY YOU CAN DEPEND ON

When you work in light industrial and field applications, you need robust, durable and accurate analytical equipment with immunity to background interference. Your job relies on ultra-sensitive measurements and maximized device uptime – especially when conducting field testing.

No matter what your monitoring requirement, you'll want a device that offers long battery runtime, low operational costs, ongoing maintenance costs and ease of use. And we don't believe you should have to compromise.

A NO COMPROMIZE SOLUTION

The MiniHD sets the industry standard for these applications by combining ease of use and simple device care with ultra-sensitive and gas-specific O₂, CO and CO₂ monitoring.

Specifically designed to meet the stringent needs of applications, where performance and accuracy must meet the highest standards, the MiniHD truly delivers on all levels. This device also delivers additional value through its long battery runtime, intuitive and simple interaction and reduced ongoing costs through simplified maintenance.

LIFE-PROOF DURABILITY

The MiniHD has a highly robust, durable and life-proof design with an IP65 rated case that features protective overmoulding. No matter where your job takes you, the MiniHD is built to last and provide you with many years of reliable gas measurement.

ALTERNATIVE PRODUCTS

The SERVOFLEX portable product range features a number of options designed to meet your application needs.

MiniMP (5200)



The MiniMP is an ideal alternative to the MiniHD when CO₂ and O₂ monitoring with EN15267-3 MCERTs approval is required. Optimized for medical oxygen quality and CEMS testing, the MiniMP combines leading-edge gas analysis with simple, intuitive use and reduced ongoing maintenance.

Micro i.s. (5100 i.s.)



The Micro i.s. delivers highly sensitive O₂, CO and CO₂ analysis with the added flexibility of hazardous area rated use. A safety-enhanced Intrinsically Safe (i.s.) design and feature-rich performance ensure this device can be used in diverse industrial applications.

KEY APPLICATIONS

- Physiology studies
- Universities
- Combustion optimization
- Fermentation
- Medical gas verification
- Transformer entry



PRODUCT DATA: MiniHD (5200)

OPTIONS	DESCRIPTION	SPECIFICATION
Internal pump	Consistent sample draw	0.7l (0.03ft ³) /min.
Rechargeable batteries	Advanced Lithium Ion (Li-Ion)	Typically 10 hours runtime at 20°C/68°F
Power charger	Supplied as standard	100-240V / 43-70Hz

ACCESSORIES	DESCRIPTION	SPECIFICATION
Additional barb fittings	Simplify connection of gases with QuickConnect	Easy connection of zero and span gas
1/8" NPT adaptor	Ideal for QuickConnect hard pipe use	Easy connection to hard pipe work
2 years spares pack	Two years hassle-free operation	5x filters, 1 filter O-ring
Sample conditioning kit	Additional flexibility for sample analysis	Facilitates wet and dirty sampling
Sampling probes	For added sampling ease	Stainless Steel probes with holder and connecting tube – 25cm/9.8" and 100cm/39"
Transport case	Added protection to keep your device safe	Tough plastic shipping case with pre-cut foam inserts designed to carry device and accessories

MONITORING PERFORMANCE				
Sensor	O ₂	O ₂	CO	CO ₂
Technology	Paramagnetic	Paramagnetic	Infrared	Infrared
Variant	Industrial (1dp)	High Accuracy (2dp)	–	–
Full scale and Min. output	0-100% 0-10% (min.)	0-100% 0-1% (min.)	0-5% 0-1% (min.)	0-10%, 25%, 50%, 100%
Cell construction	316 Stainless Steel	316 Stainless Steel	316 Stainless Steel	316 Stainless Steel
Accuracy (intrinsic error)	±0.1% O ₂	±0.05% O ₂	±2% FSR	±2% FSR
Zero drift/week	±0.4% O ₂	±0.2% O ₂	±4% FSR	±4% FSR
T90 in secs.	<15	<15	<15	<15
Operating Temp.	-10 to +50°C (14 to 122°F)	-10 to +50°C (14 to 122°F)	-10 to +50°C (14 to 122°F)	-10 to +50°C (14 to 122°F)

Please note: Allow 1 hour warm up to meet performance specification.

TUNABLE
DIODE LASER



FLAME IONISATION
DETECTOR



GAS
CHROMATOGRAPHY



PLASMA



LASER MOISTURE



COULOMETRIC



SPECTROSCOPIC



PRODUCT DATA: MiniHD (5200)

SAMPLE FOR MEASUREMENTS

Sample gas	Clean, dry, non-flammable and non-toxic gases only. Though samples containing >5% CO ₂ or >200ppm CO are toxic, they can be analyzed if the suitable precautions are taken
Flow Control	Unpumped units are supplied with AFCD: Approx. 1.5 – 6 ltr/min (0.05 – 0.2 ft ³ /min.)
Sample inlet connection	QuickConnect barb fitting – 5mm OD stub for 6.3mm (1/4") ID tube or adaptor to 1/8" NPT fitting option
Sample outlet connection	5mm OD stub (sample and bypass)
Inlet pressure	Without internal pump – 7kPa (1psig) to 70kPa (10psig)

DEVICE SPECIFICATION

Size:

- 160mm (6.2") Width x 185mm (7.2") High x 140mm (5.5") Deep

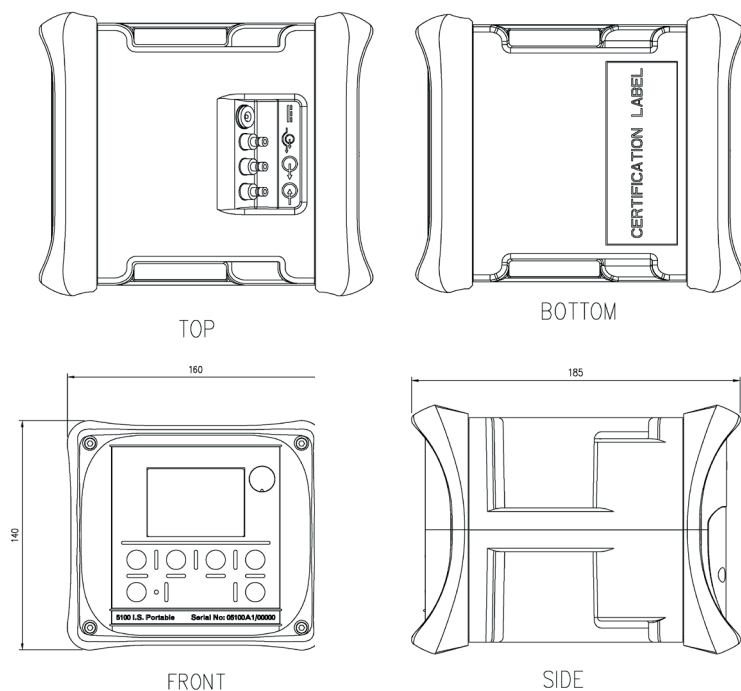
Weight:

- 1.8kgs (4lbs) – 2.3kgs (5.1lbs) depending on config.

Certifications:

- CE in accordance with EEC EMC and WEEE Directives
- UL/CE approved 100-240V/43=70Hz AC power supply.

DEVICE SCHEMATIC



These analyzers are not intended for any form of use on humans and are not medical devices as described in the Medical Devices Directive 93/42EEC.

Please note: This document was updated in August 2014. While every effort has been made to ensure accuracy, no responsibility can be accepted for errors or omissions. Data may change, as well as legislation, and you are strongly advised to obtain copies of the most recently issued regulations, standards and guidelines. This document is not intended to form the basis of a contract.

AMERICAS BUSINESS CENTER
Tel: +1 281 295 5800
Email: americas_sales@servomex.com

ASIA PACIFIC BUSINESS CENTRE
Tel: +86 (0)21 6489 7570
Email: asia_sales@servomex.com

EUROPEAN BUSINESS CENTRE
Tel: +31 (0) 79 330 1580
Email: europe_sales@servomex.com

INDIA BUSINESS CENTRE
Tel: +91 22 3934 2700
Email: MEI_sales@servomex.com

MIDDLE EAST BUSINESS CENTRE
Tel: +971 6552 8073
Email: MEI_sales@servomex.com

SERVOMEX.COM

Servomex has a policy of constant product improvement and reserves the right to change specifications without notice.
© Servomex Group Limited. 2014. A Spectris company. All rights reserved.

SERVOMEX