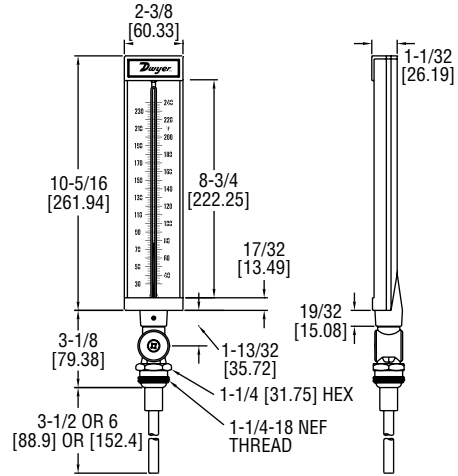




SERIES IT | DWYER

# INDUSTRIAL THERMOMETER

9" Scale, Adjustable Angle Stem



The **SERIES IT** Industrial Thermometer allows users to easily take accurate temperature measurements in any environment. The case of the IT series is made of die cast aluminum for extra durability in industrial environments.

**FEATURES/BENEFITS**

- Organic, non-toxic fill fluid
- Dual scale in °F and °C
- Adjustable stem angle

**APPLICATIONS**

- Boiler or chiller temperature monitoring

**MODEL CHART**

3-1/2" Stem Model	Range	6" Stem Model	Range
ITA9351D	-40 to 110°F (-40 to 43°C)	ITA9601D	-40 to 110°F (-40 to 43°C)
ITA9352D	0 to 120°F (-17 to 49°C)	ITA9602D	0 to 120°F (-17 to 49°C)
ITA9353D	0 to 160°F (-17 to 71°C)	ITA9603D	0 to 160°F (-17 to 71°C)
ITA9354D	20 to 180°F (-6 to 82°C)	ITA9604D	20 to 180°F (-6 to 82°C)
ITA9355D	30 to 240°F (0 to 114°C)	ITA9605D	30 to 240°F (0 to 114°C)
ITA9356D	30 to 300°F (-1 to 149°C)	ITA9606D	30 to 300°F (-1 to 149°C)
ITA9357D	50 to 400°F (10 to 240°C)		
ITA9358D	50 to 550°F (10 to 288°C)		

**SPECIFICATIONS**

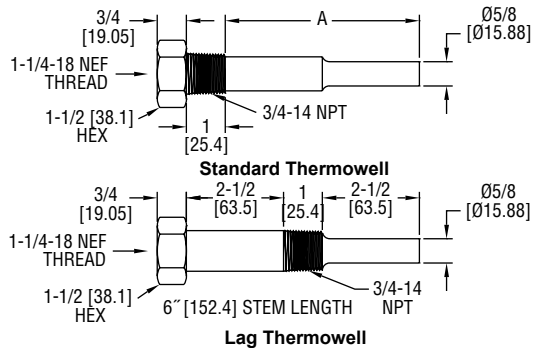
<b>Wetted Material:</b> Tapered cast aluminum with graphite fill.	<b>Process Connection:</b> 1-1/4-18 NEF thread.
<b>Housing Material:</b> 9" (228 mm) aluminum.	<b>Liquid Filling:</b> Organic blue liquid filled tube.
<b>Lens:</b> Glass.	<b>Mounting:</b> Adjustable stem: Vertical plane 180° horizontal plane 360°.
<b>Accuracy:</b> 1% accuracy.	<b>Weight:</b> 1 lb 7 oz (0.65 kg).
<b>Scales:</b> Aluminum painted white with black markings.	

Thermometers, Glass

SERIES IT-W | DWYER

# INDUSTRIAL THERMOMETER THERMOWELLS

Fits IT Thermometers with 3-1/2" and 6" Stem Lengths



The **SERIES IT-W** Thermowells reduce installation cost and time by eliminating the need to drain the system when servicing industrial thermometers. The thermowells protect industrial thermometers from high pressure, flow and corrosive media.

**FEATURES/BENEFITS**

- Designed to fit the Series IT industrial thermometers
- Lag stems available

**APPLICATIONS**

- Boiler or chiller temperature monitoring

**MODEL CHART**

Model	Material	Insertion Length	Lag
IT-W01	Brass	2-1/2"	N/A
IT-W11	304 SS	2-1/2"	N/A
IT-W21	316 SS	2-1/2"	N/A
IT-W04	Brass	5"	N/A
IT-W14	304 SS	5"	N/A
IT-W24	316 SS	5"	N/A
IT-W07	Brass	2-1/2"	2-1/2"
IT-W17	304 SS	2-1/2"	2-1/2"
IT-W27	316 SS	2-1/2"	2-1/2"