



SPECIFICATIONS

ACCURACY
 63mm: $\pm 1.6\%$ of range across full scale
 100mm: ASME Grade 1A - $\pm 1\%$ of range across full scale

CASE SIZES
 63mm: diameter (2.5")
 100mm: diameter (4.0")

CASE MATERIAL
 Forged Brass

CASE STYLES
 LM - Lower Mount

TUBE & SOCKET
 Copper alloy

MOVEMENT
 Brass

CONNECTION
 63mm: 1/4 NPT
 100mm: 1/2 NPT

RANGES
 0-30" Hg vacuum;
 compound ranges 30" Hg vacuum to 200 psi; and 15-10,000 psi

DIAL STANDARD
 Single Scale psi

DIAL COLOR
 Black markings on white

POINTER
 Aluminum, black painted

WINDOW
 Acrylic

RING
 63mm: Gold Plated ABS
 100mm: Chrome Plated Steel

FILL MEDIUM
 Glycerine Standard

VENT
 Rubber plug with snip-off feature

WEIGHT
 63mm 3.0 lb.
 100mm 4.0 lb.

63MM & 100MM BRASS GAUGE

- Forged Brass case (one piece construction)
- Ranges to 10,000PSI
- Heavy Duty Performance

Marsh forged brass gauges are designed for top performance in rugged applications and harsh environments, where corrosive gas or media is not an issue. Applications include Oil patch, Hydraulics, Natural gas, OEM and General Industrial applications where superior quality is required. Liquid Filling protects against pulsation and vibration offering a cushioning and dampening effect. The hermetically sealed one piece design reduces the chance of leaks and allows field filling as an easy option.

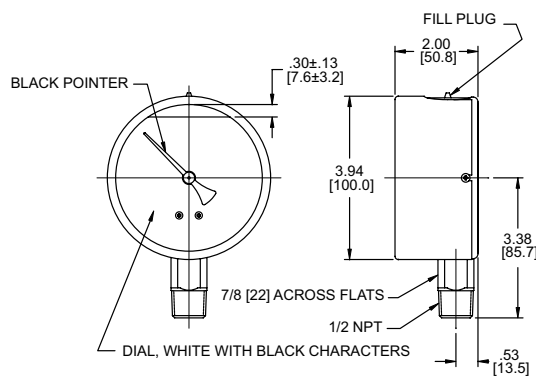
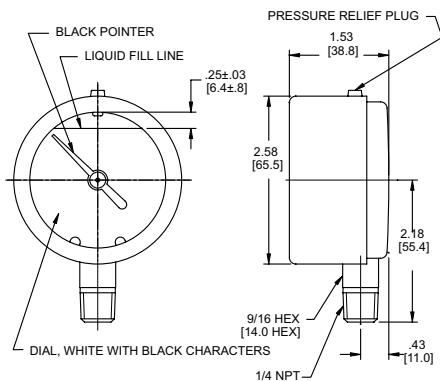
STANDARD RANGES & PART NUMBERS

TYPE	63MM BRASS	100MM BRASS
Size	63mm	100mm
Case Material	Forged Brass	Forged Brass
Internals	Copper Alloy	Copper Alloy
Mounting / Case Style	LM	LM
Connection	1/4 NPT	1/2 NPT
Scale Standard	psi	psi
0 to 30" Hg VAC	W9005PE	
30" Hg VAC to 30 psi	W9012PE	
30" Hg VAC to 60 psi	W9014PE	
30" Hg VAC to 100 psi	W9016PE	
30" Hg VAC to 200 psi	W9020PE	
0 to 15 psi	W9040PE	
0 to 30 psi	W9042PE	W9442PE
0 to 60 psi	W9046PE	W9446PE
0 to 100 psi	W9048PE	W9448PE
0 to 160 psi	W9052PE	W9452PE
0 to 200 psi	W9054PE	W9454PE
0 to 300 psi	W9058PE	W9458PE
0 to 400 psi	W9060PE	W9460PE
0 to 600 psi	W9064PE	W9464PE
0 to 1,000 psi	W9072PE	W9472PE
0 to 1,500 psi	W9074PE	W9474PE
0 to 2,000 psi	W9076PE	W9476PE
0 to 3,000 psi	W9078PE	W9478PE
0 to 5,000 psi	W9082PE	W9482PE
0 to 10,000 psi	W9090PE	W9490PE

ALL DIMENSIONS ARE NOMINAL

63MM BRASS

100MM BRASS



63MM & 100MM BRASS GAUGE OPTIONS

OPTION	TYPE	SUFFIX	AVAILABLE ON MODELS
Fill Medium	Dry (no fill)	Delete Suffix P	
	Glycerine	Standard	
	Silicone (SL)	I	
Catalog Dials	Bar only	L1	Consult factory for minimums
	kg/cm ² only	L2	
	kPa only	L3	
	MPa only	L4	
	psi & BAR	W1	
	psi & kg/cm ²	W2	
	psi & kPa	W3	
psi & MPa	W4		
Custom Dials	Logo or Custom Face	M	Consult factory for minimums.