

**Electric Actuators
Built For Industrial and
Commercial Applications
That Require Optimal
Performance**

**Full Line of Actuators
Quarter Turn to 40,500 in lb
Spring Return to 2300 in lb**

**Multiple Configurations
On/Off, jog or proportional
24VDC through
575/60 applications
Local Control Stations**

**Complete Support
Full Documentation
Rapid Quote**



**Many Actuators Look the Same on the Outside.
The Pro-Torq Difference is on the Inside.**

INTRODUCING PRO-TORQ NEW ELO SERIES QUARTER-TURN ELECTRIC ACTUATORS

Pro-Torq has been automating valves for the industrial process markets we serve. Pro-Torq is now proud to introduce its own industrial electrical actuators with greater range of sizes and capabilities. With Pro-Torq's world class quality and customer service, the ELO Series provides our customers with an industry leading actuation solution, featuring increased technical capabilities to meet all phases of small or large projects.

The new ELO Series is built based on global design standards, including ISO5211 mechanical transmission specifications. We offer operating voltage ranging from 12vac/ vdc to 575v 3 phase, with options for on/off and modulating control as well as several industry bus communications capabilities.

Based on industry proven epicyclic technologies, the ELO Series provides smooth, efficient transmission of motor torque in a compact package. The epicyclic design negates the need for a brake, as the technology is self locking. NA8 and larger units offer a standard clutchless manual override capability and are equipped with two auxiliary switches and an internal heater as standard.

Coming soon from Protorque... the NEW CI model with an integrated local control station cast as part of the actuator main housing – NOT as an add-on product. A common feature for high-end actuators now available in a cost effective actuation package. The CI will be available in 800~177,000 lb. actuation products. With full integration in the main housing, there is a substantial reduction in field wiring between the control and actuator. This new line will feature knob, push button or LCD display versions to fit your requirements.

OVERVIEW

Pro-Torq's ELO Series electric actuators are designed and produced to provide years of service in demanding industrial environments such as chemical processing, waste and water treatment, power generation, oil & gas, marine, mining and building services. These quarter-turn units drive dampers, ball valves, butterfly valves or inlet guide vanes that require torque ranges from 300 lbf-in up through 177,000 lbf-in. The ELO Series housings are designed to meet NEMA 4X environmental demands, with ISO5211 compliant mounting that readily mounts up to most valves in the industries served. Featuring an epicyclic transmission system, the ELO Series provides highly efficient multiplication of motor power to produce uniquely compact torque ranges compared to other technologies. A clutch-free manual override system provides full-time override capabilities during powered or un-powered events, and allows for simple adaptation for overhead chain-wheel drive installations.

ELO SERIES ELECTRIC ACTUATORS

KEY FEATURES & BENEFITS

- Powder Coated Aluminum Alloy Housing
- NEMA 4/4X/IP67 Enclosure
- Raised Position Indicator
- ISO5211 Compliant Mounting
- Internal Low Power Heater
- Clutchless Manual Override
- Self-Locking Drive
- Permanently Lubricated
- Thermally Protected Motor
- 2 Auxiliary Switches
- Silicone Free

OPTIONAL FEATURES

- Interchangeable ISO5211 Mount
- Interchangeable Drive Inserts
- Positioners
- Extended Duty Motors
- 3 Position Control
- Passive Analog Feedback
- Torque Switches
- Local Control Stations
- 3 phase Motor Control Center
- IP68 Submersible

Clean, Easily Accessible Internal Wiring
Layout (2) 10A 125vac Aux Limit Switches
Standard Anti-Condensate Heater Standard

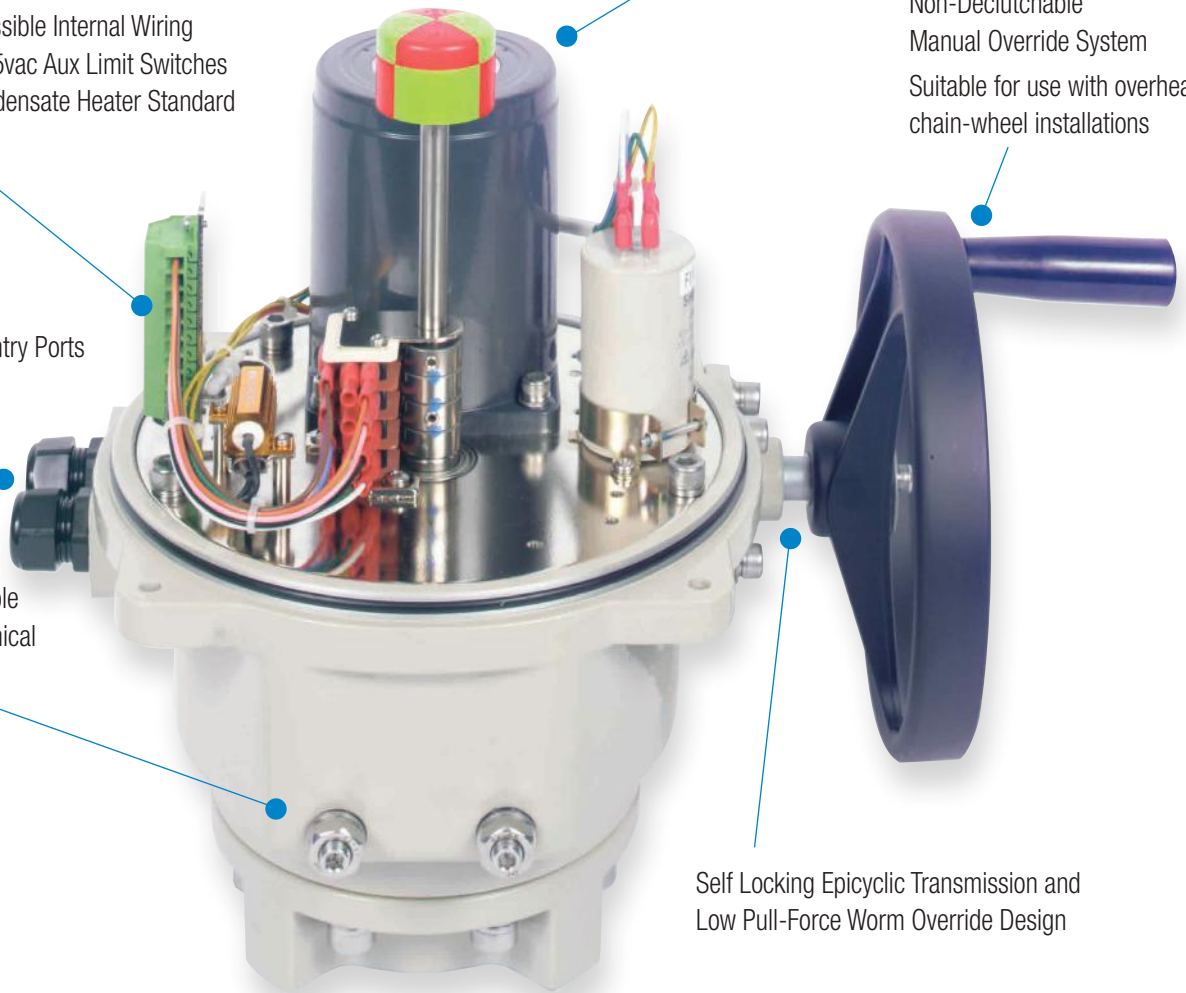
(2) 3/4" Conduit Entry Ports

Externally Accessible
Adjustable Mechanical
Stops

High Efficiency
AC & DC Drive Motors

Non-Declutchable
Manual Override System
Suitable for use with overhead
chain-wheel installations

Self Locking Epicyclic Transmission and
Low Pull-Force Worm Override Design



*Features typical of NA8 Series and larger.

ELO Series Electric Actuators, *FEATURES*

ISO MOUNTING FLANGE

The bottom of the ELO actuators are machined to meet ISO5211 standards. On the NA8 series up through the HRS4 series, should a different flange pattern be needed, these models can be fitted with available flanges without any affect on actuator performance. Contact Flo-Tite for available ISO compliant flanges.



INTERCHANGEABLE BUSHING

Our ELO series actuators are supplied with ISO5211 compliant double-square drive sockets. On the NA8 series up through the HRS4 series, the drive socket is removable and can be fitted with a different size or a different shape female drive socket. Available patterns include square, double square, double D and round keyed shafts. Contact Pro-Torq / Flo-Tite for available splined drive inserts.



EPICYCLIC DRIVE TRANSMISSION

Highly efficient, compact transmission technology provides unmatched multiplication of motor torque compared to spur geartrain type systems. Additionally, the final drive output utilizes worm gear geometry to provide self-locking gearsets without any type of braking required to hold the connected device in position. This technology also allows a manual override system which does not require any type of declutching mechanism.



COLOR CODED CAM SYSTEM

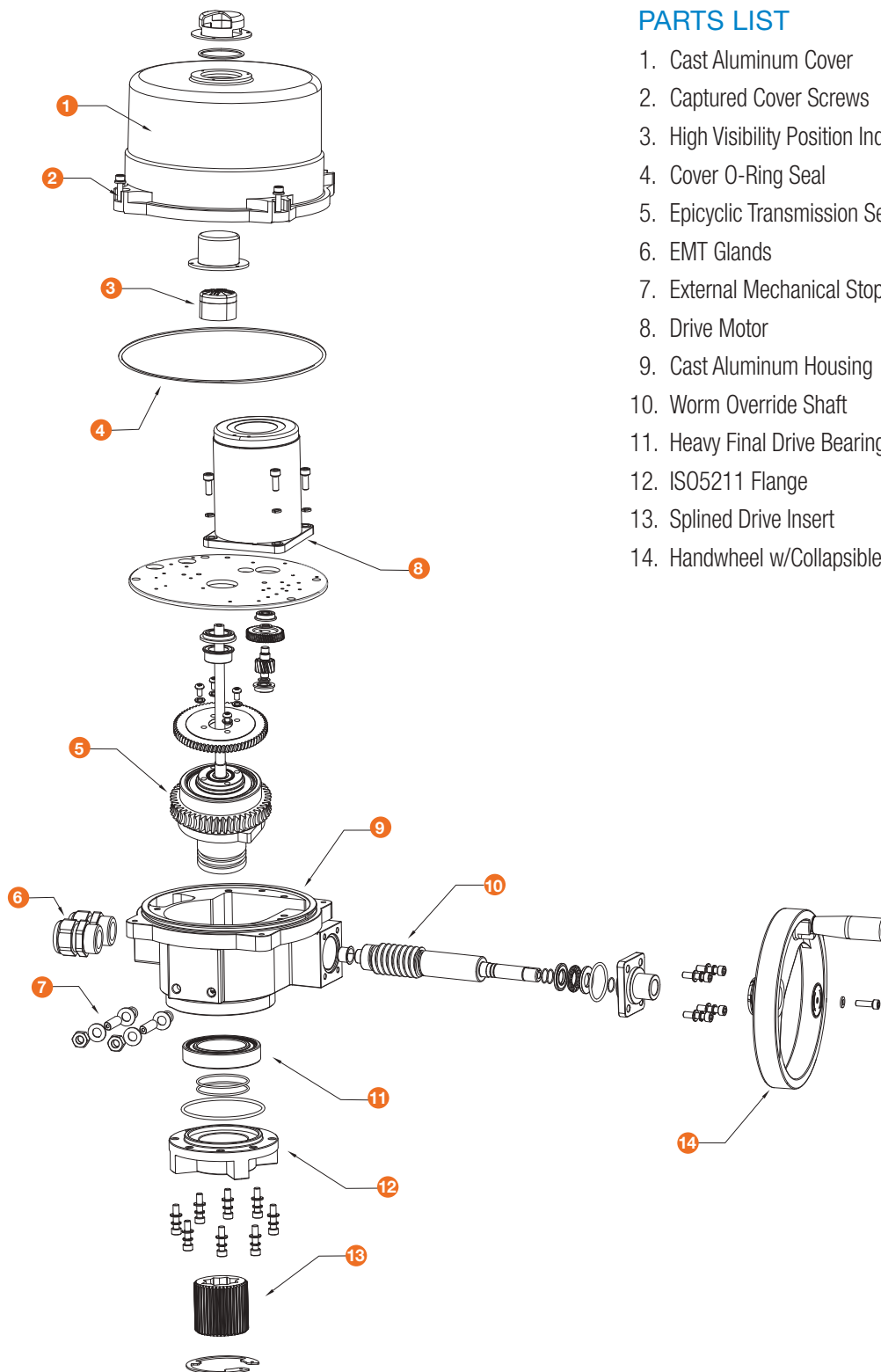
Easily accessible travel and auxiliary switch cams are color coded to provide instant recognition of the CW or CCW cams when making stroke adjustments. Cam positions are easily changed by utilizing 2.5mm setscrews across the entire ELO range of actuators.



ELO SERIES ELECTRIC ACTUATOR PART NUMBER MATRIX

MODEL	ELO	INT TYPE	FRAME SIZE & TQR		VOLTAGE		CONTROL	
			N	3A	K	8		
Quarter-Turn Type	N	None	A1	89"lb	A	12vdc	0	On/Off
	K	LCS - Knob/LED	B2	177"lb	B	12vac	1	On/Off/Jog
	L	LCS - PB/LED/Key	C3	266"lb	C	12vac/vdc	2	Jog ONLY
	D	LCS - LCD Type	A4	310"lb	D	24vdc	3	3 Pos - Field Control (Supply Voltage Inputs)
	P	LCS - Prog	B5	310"lb HW	E	24vac	4	4 Pos - Unidirectional (90° drive models only thru EHM7)
	T	Touch Screen	R6	440"lb	F	24vac/vdc	5	Reserved
	W	Wireless	S7	440"lb HW	G	48vdc	6	2 Pos - Relay Control (Field Select RO or RC)
			A8	880"lb	H	AutoSw1 (Specify)	7	Field Control Timer (Requires Config Sheet)
			B9	1770"lb	J	AutoSw2 (Specify)	8	Mod 4-20mA (Default incl code D)
			A10	3570"lb	K	120vac	9	Mod 2-10V (Default incl code M)
			B11	5510"lb	L	230vac	A	Mod 2-10V (Default incl code P)
			C12	7080"lb	M	230/3/60	f	Future
			D13	8850"lb	P	315/3/60		
			E14	15040"lb	R	380/3/60		
			F15	20350"lb	S	440/3/60		
			A16	30970"lb	T	480/3/60		
			B17	44250"lb	U	575/3/60 (limited availability)		
			A18	70800"lb				
			A19	115000"lb				
			B20	140000"lb				
			C21	177000"lb				

EXPLODED VIEW



PARTS LIST

1. Cast Aluminum Cover
2. Captured Cover Screws
3. High Visibility Position Indicator
4. Cover O-Ring Seal
5. Epicyclic Transmission Set
6. EMT Glands
7. External Mechanical Stops
8. Drive Motor
9. Cast Aluminum Housing
10. Worm Override Shaft
11. Heavy Final Drive Bearing
12. ISO5211 Flange
13. Splined Drive Insert
14. Handwheel w/Collapsible Knob

Models : ELO-NA1/NB2/NC3



**ELO Series
ON/OFF/PROPORTIONAL
ELECTRIC ACTUATORS**

OVERVIEW

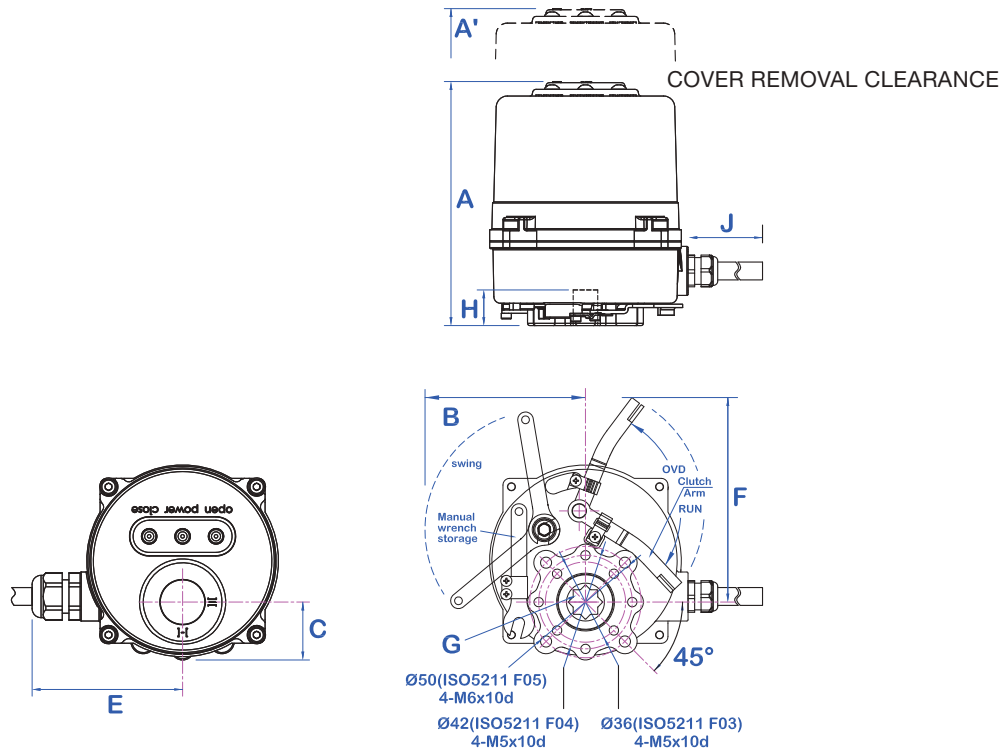
The ELO Series are quarter-turn electric industrial service actuators delivering up to 266 lbf-in torque in voltages ranging from 24v up through 230v in on/off or proportional control modes. Other Key Features include:

- Equipped with two (2) volt-free Form A Auxiliary switches rated at up to 1A 250vac (on/off models only)
- Proportional models have 4-20mA or 2-10vdc feedback output standard
- ISO5211 compliant with an 11mm double square female drive
- Furnished with a 39" (1M) cable to facilitate field connections outside the compact enclosure
- Low profile visual position indicator and three flush mounted LEDs allow at-a-glance position indication
- Manual override lever and 8mm access shaft at the bottom of the actuator housing
- NEMA 4X/IP67 compliant
- PG6 EMT entry port with sealed cable gland

QUARTER-TURN ELECTRIC ACTUATION

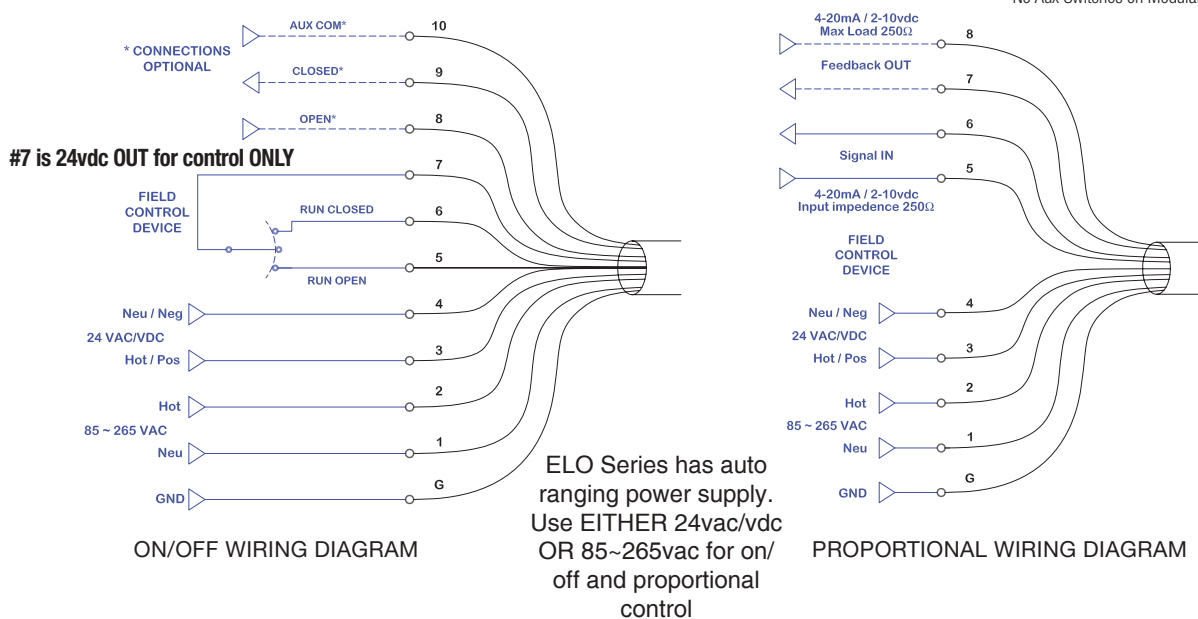
TECHNICAL INFORMATION

ACTUATOR SPECIFICATIONS		NA1	NB2	NC3
Supply	Torque Output (lbf-in / Nm)	89 / 10	177 / 20	266 / 30
24VAC - 24VDC	Current Draw (Start / Run / LRA)	2.1A / 1.2A / 2.3A	2.1A / 1.2A / 2.3A	2.1A / 1.2A / 2.3A
	Speed (90°) DC, seconds	13	12	11
	Motor - 24vdc Perm Magnet Brush Type	5W	8W	10W
	Duty Cycle (on/off / mod)	75%	75%	75%
	Motor Starts, per hour, Max	1200	1200	1200
	Motor Class	Class B	Class B	Class B
120V	Current Draw (Start / Run / LRA)	.39A / .36A / .48A	.39A / .36A / .48A	.39A / .36A / .48A
	Speed (90°) 60Hz / 50Hz, seconds	13	12	11
	Motor - 120vac Split-Phase Cap TENV	5W	8W	10W
	Duty Cycle (on/off / mod)	25% / 75%	25% / 75%	25% / 75%
	Motor Starts, per hour, Max	1200	1200	1200
	Motor Class	Class B	Class B	Class B
230V	Current Draw (Start / Run / LRA)	.23A / .21A / .28A	.23A / .21A / .28A	.23A / .21A / .28A
	Speed (90°) 60Hz / 50Hz, seconds	13	12	11
	Motor - 230vac Split-Phase Cap TENV	5W	8W	10W
	Duty Cycle (on/off / mod)	25% / 75%	25% / 75%	25% / 75%
	Motor Starts, per hour, Max	1200	1200	1200
	Motor Class	Class B	Class B	Class B
All	Control	On/Off or Proportional		
	Electrical Entry (1)	PG6 Nylon Gland with 39" 11C-24 Cable On/Off or 9C-24 Proportional		
	Manual Override	Bottom Mounted 8mm Hex Shaft		
	Ambient Operating Range	-22°F to +158°F (-30°C to +70°C)		
	Humidity Range	0-95% RH		
	Altitude Limit	9850 ft / 3000 m		



DIMENSIONS

MODEL	A in/mm	A' in/mm	B in/mm	C in/mm	E in/mm	F in/mm	G in/mm	H in/mm	J in/mm	WEIGHT lbs/kg
NA1/NB2/NC3	4.33/110	2.95/75	2.83/72	1.00/25	2.75/70	3.72/95	.433/11	.630/16	39.4/1000	2.2/1.0



ELO Series ON/OFF/PROPORTIONAL ELECTRIC ACTUATORS

OVERVIEW

The ELO Series are quarter-turn electric industrial service actuators delivering up to 440 lbf-in torque in voltages ranging from 12v up through 230v in on/off or proportional control modes. Other Key Features include:

- Units are equipped with two (2) volt-free Form A Auxiliary switches rated at up to 3A 250vac
- ISO5211 compliant mounting with a double square female drive
- Raised visual position indicator
- Manual override hand wheel is available as an option on 2B & 2S models
- Manual override shaft standard
- NEMA 4X/IP67 compliant
- Two (2) 1/2" EMT entry ports with sealed cable glands

OPTIONS

- Battery Backup
- Supercap Backup
- Local Control Stations
- IP68 Submersion

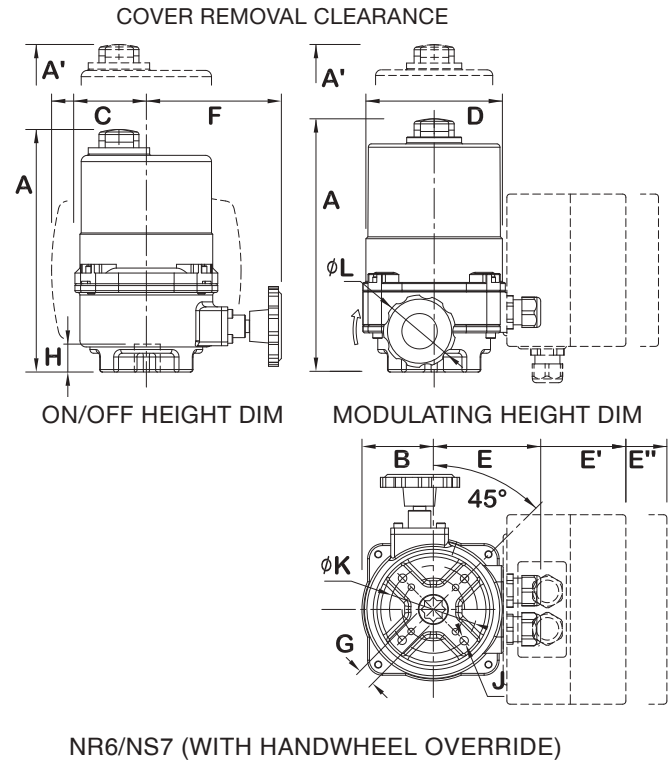
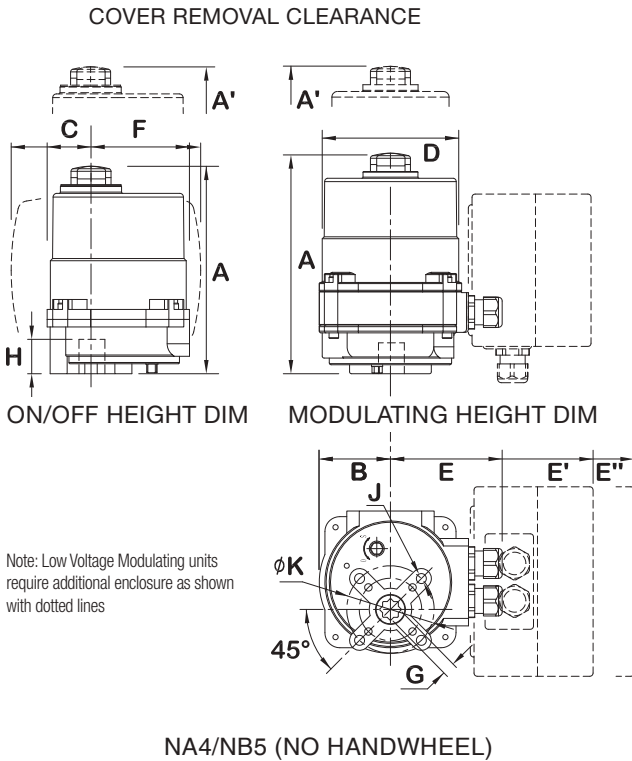


TECHNICAL INFORMATION

ACTUATOR SPECIFICATIONS

Models		ELO-NA4	ELO-NB5	ELO-NR6	ELO-NS7
Supply	Torque Output (lbf-in / Nm)	310 / 35	310 / 35	440 / 50	440 / 50
	Current Draw (Start / Run / LRA)	3.5A / 2.0A / 3.8A	3.5A / 2.0A / 3.8A	3.5A / 2.0A / 3.8A	3.5A / 2.0A / 3.8A
12VAC*	Speed (90°) DC, seconds	8	8	10	10
	Motor - 12vdc Perm Magnet Brush Type	6W	6W	6W	6W
12VDC*	Duty Cycle (on/off / mod)	75%	75%	75%	75%
	Motor Starts, per hour, Max	1200	1200	1200	1200
	Motor Class	Class B	Class B	Class B	Class B
24VAC	Current Draw (Start / Run / LRA)	2.1A / 1.2A / 2.3A	2.1A / 1.2A / 2.3A	2.1A / 1.2A / 2.3A	2.1A / 1.2A / 2.3A
	Speed (90°) DC, seconds	8	8	10	10
24VDC	Motor - 24vdc Perm Magnet Brush Type	6W	6W	6W	6W
	Duty Cycle (on/off / mod)	75%	75%	75%	75%
	Motor Starts, per hour, Max	1200	1200	1200	1200
	Motor Class	Class B	Class B	Class B	Class B
120V	Current Draw (Start / Run / LRA)	.39A / .36A / .48A	.39A / .36A / .48A	.39A / .36A / .48A	.39A / .36A / .48A
	Speed (90°) 60Hz / 50Hz, seconds	9.2 / 11	9.2 / 11	12.5 / 15	12.5 / 15
	Motor - 120vac Split-Phase Cap TENV	10W	10W	10W	10W
	Duty Cycle (on/off / mod)	25% / 75%	25% / 75%	25% / 75%	25% / 75%
	Motor Starts, per hour, Max	1200	1200	1200	1200
	Motor Protection, Temp / Class	135°C / Class F	135°C / Class F	135°C / Class F	135°C / Class F
230V	Current Draw (Start / Run / LRA)	.23A / .21A / .28A	.23A / .21A / .28A	.23A / .21A / .28A	.23A / .21A / .28A
	Speed (90°) 60Hz / 50Hz, seconds	9.2 / 11	9.2 / 11	12.5 / 15	12.5 / 15
	Motor - 120vac Split-Phase Cap TENV	10W	10W	10W	10W
	Duty Cycle (on/off / mod)	25% / 75%	25% / 75%	25% / 75%	25% / 75%
	Motor Starts, per hour, Max	1200	1200	1200	1200
	Motor Protection, Temp / Class	135°C / Class F	135°C / Class F	135°C / Class F	135°C / Class F
All	Manual Override	Bottom 8mm Hex Shaft	Hand Wheel	Bottom 8mm Hex Shaft	Hand Wheel
	Electrical Entry (2)	1/2" EMT or Nylon gland			
	Control	On/Off or Proportional			
	Ambient Operating Range	-22°F to +158°F (-30°C to +70°C)			
	Humidity Range	0-95% RH			
	Altitude Limit	9850 ft / 3000 m			

*12V versions available custom order.



DIMENSIONS

MODEL	A	A'	B	C	D	E (HV)	E' (LV)	E'' (LV)	F	G*	H	J*	K*	L	WEIGHT
	in/mm	in/mm	in/mm	in/mm	in/mm	in/mm	in/mm	in/mm	in/mm	in/mm	in/mm	in/mm	in/mm	in/mm	lbs/kg
ELONA4	on/off - LV	6.38/162			1.40/36		3.60/92	-				(4) M6-1.0 X 18mm Deep	F03 / 1.417/36		6.6/3.0
	on/off - HV		4.93/125	2.20/56			3.60/92	-					F05 / 1.969/50		6.6/3.0
	Mod - LV				2.52/64			6.32/160	2.5/64	3.60/91	0.551/14	0.78/20	(4) M8-1.25 X 20mm Deep	F07 / 2.756/70	13.8/6.3
	Mod - HV				1.40/36		3.60/92	-		3.25/83					6.8/3.1
ELONB5	on/off - LV	7.40/188			2.32/59		3.60/92	-				(4) M6-1.0 X 18mm Deep	F03 / 1.417/36		6.6/3.0
	on/off - HV		4.93/125	2.20/56			3.60/92	-					F05 / 1.969/50	2.5/63 12 turns 90°	6.6/3.0
	Mod - LV				2.99/76			6.32/160	2.5/64	3.60/91	0.551/14	0.78/20	(4) M8-1.25 X 20mm Deep	F07 / 2.756/70	13.8/6.3
	Mod - HV	8.58/218			2.32/59		3.60/92	-							6.8/3.1
ELONR6	on/off - LV	6.38/162			1.40/36		3.60/92	-				(4) M6-1.0 X 18mm Deep	F03 / 1.417/36		6.6/3.0
	on/off - HV		4.93/125	2.20/56			3.60/92	-					F05 / 1.969/50		6.6/3.0
	Mod - LV				2.52/64			6.32/160	2.5/64	3.60/91	0.551/14	0.78/20	(4) M8-1.25 X 20mm Deep	F07 / 2.756/70	13.8/6.3
	Mod - HV	7.56/192			1.40/36		3.60/92	-		3.25/83					6.8/3.1
ELONS7	on/off - LV	7.40/188			2.32/59		3.60/92	-				(4) M6-1.0 X 18mm Deep	F03 / 1.417/36		6.6/3.0
	on/off - HV		4.93/125	2.20/56			3.60/92	-					F05 / 1.969/50	2.5/63 14 turns 90°	6.6/3.0
	Mod - LV				2.99/76			6.32/160	2.5/64	3.60/91	0.669/17	0.78/20	(4) M8-1.25 X 20mm Deep	F07 / 2.756/70	13.8/6.3
	Mod - HV	8.58/218			2.32/59		3.60/92	-							6.8/3.1

Models : ELO-NA8/NB9

**ELO Series
ON/OFF/PROPORTIONAL
ELECTRIC ACTUATORS**

OVERVIEW

The ELO Series are quarter-turn electric industrial service actuators delivering up to 1770 lbf-in torque in voltages ranging from 12V up through 480/3 in on/off or proportional control modes. Other Key Features include:

- Units are equipped with two (2) volt-free Form A Auxiliary switches rated at up to 10A 250vac
- ISO5211 compliant mounting with double square female drive inserts
- Raised visual position indicator
- Clutch-free manual override handwheel standard
- NEMA 4X/IP67 compliant
- Two (2) 3/4" EMT entry ports with sealed cable glands

OPTIONS

- Torque Switches
- Motor Control Centers
- Local Control Stations
- IP68 Submersion
- Battery Backup
- Supercap Backup
- Interchangeable ISO5211 Flange & Drives

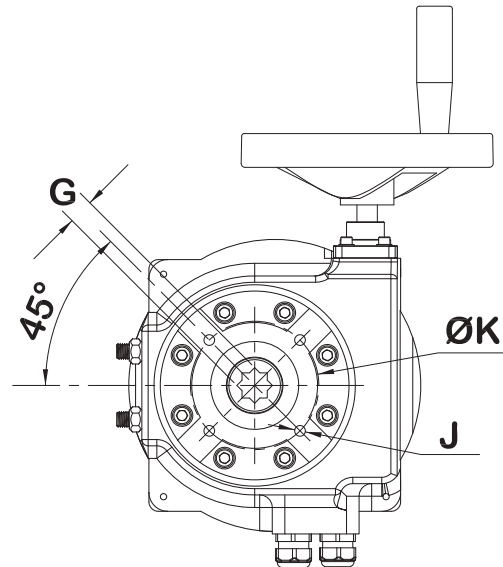
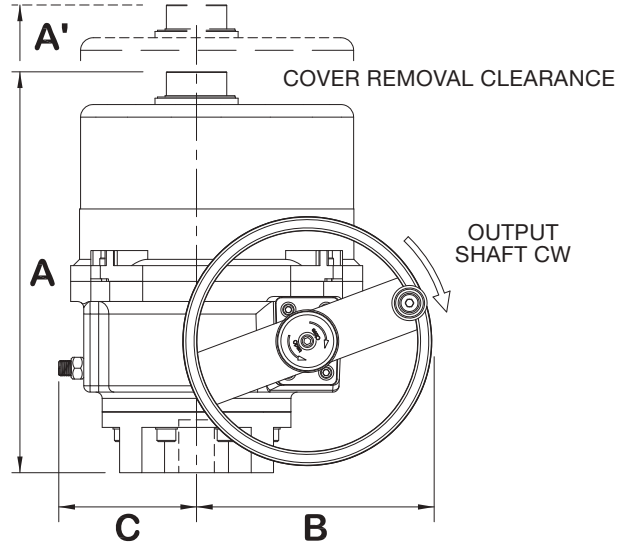
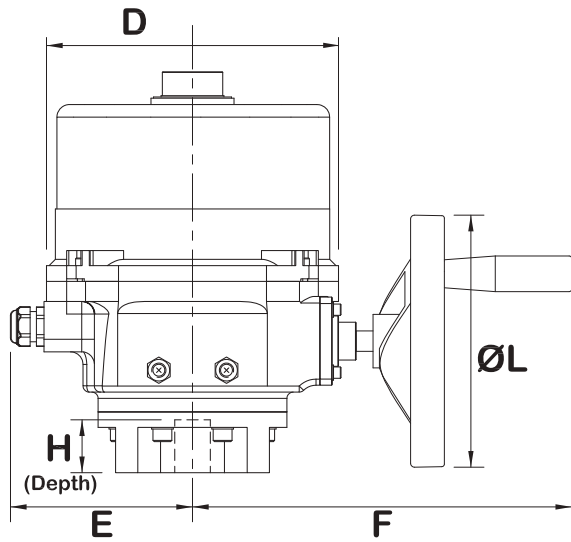


QUARTER-TURN ELECTRIC ACTUATION

TECHNICAL INFORMATION

ACTUATOR SPECIFICATIONS		ELONAB	ELONB9
Supply	Torque Output (lbf-in / Nm)	880 / 100	1770 / 200
	Current Draw (Start / Run / LRA)	7.2A / 5.2A / 17.8A	7.2A / 5.2A / 17.8A
12VAC*	Speed (90°) DC, seconds	14	28
-	Motor - 12vdc Perm Magnet Brush Type	25W	25W
12VDC*	Duty Cycle (on/off / mod)	75%	75%
	Motor Starts, per hour, Max	1200	1200
	Motor Class	Class B	Class B
24VAC	Current Draw (Start / Run / LRA)	4.2A / 3.2A / 11A	4.2A / 3.2A / 11A
-	Speed (90°) DC, seconds	14	28
24VDC	Motor - 24vdc Perm Magnet Brush Type	25W	25W
	Duty Cycle (on/off / mod)	75%	75%
	Motor Starts, per hour, Max	1200	1200
	Motor Class	Class B	Class B
120V	Current Draw (Start / Run / LRA)	1.16A / 0.93A / 1.47A	1.16A / 0.93A / 1.47A
	Speed (90°) 60Hz / 50Hz, seconds	16 / 19	33 / 39
	Motor - 120vac Split-Phase Cap TENV	40W	40W
	Duty Cycle (on/off / mod)	25% / 75%	25% / 75%
	Motor Starts, per hour, Max	1200	1200
	Motor Protection, Temp / Class	135°C / Class F	135°C / Class F
230V	Current Draw (Start / Run / LRA)	0.54A / 0.42A / 0.66A	0.54A / 0.42A / 0.66A
	Speed (90°) 60Hz / 50Hz, seconds	16 / 19	33 / 39
	Motor - 230vac Split-Phase Cap TENV	40W	40W
	Duty Cycle (on/off / mod)	25% / 75%	25% / 75%
	Motor Starts, per hour, Max	1200	1200
	Motor Protection, Temp / Class	135°C / Class F	135°C / Class F
All	Electrical Entry (2)	3/4" EMT or Nylon gland	
	Control	On/Off or Proportional	
	Ambient Operating Range	-22°F to +158°F (-30°C to +70°C)	
	Humidity Range	0-95% RH	
	Altitude Limit	9850 ft / 3000 m	

*12V versions available custom order.



DIMENSIONS

MODEL	A in/mm	A' in/mm	B in/mm	C in/mm	D in/mm	E in/mm	F in/mm	G in/mm	H in/mm	J in/mm	K in/mm	L	WEIGHT lbs/kg	
NA8	10.45/265	6/150	4.85/123	3.11/79	8.50/216	4.73/120	9.45/240	0.669/17	1.38/35	(4) M8 - 1.25 X 20mm D	F07 2.756/70	4.7/120	12.5 turns 90°	24.5/11
NB9	10.45/265	6/150	4.85/123	3.11/79	8.50/216	4.73/120	9.45/240	0.669/17	1.38/35	(4) M8 - 1.25 X 20mm D	F07 2.756/70	4.7/120	12.5 turns 90°	24.5/11

**Models : ELO-NA10/NB11/NC12/ND13/
NE14/NF15**



**ELO Series
ON/OFF/PROPORTIONAL
ELECTRIC ACTUATORS**

OVERVIEW

The ELO Series are quarter-turn electric industrial service actuators delivering up to 20,350 lbf-in torque in voltages ranging from 12V up through 480/3 in on/off or proportional control modes. Other Key Features include:

- Units are equipped with two (2) volt-free Form A Auxiliary switches rated at up to 10A 250vac
- ISO5211 compliant mounting with double square female drive inserts
- Raised visual position indicator
- Clutch-free manual override handwheel standard
- NEMA 4X/IP67 compliant
- Two (2) 3/4" EMT entry ports with sealed cable glands

OPTIONS

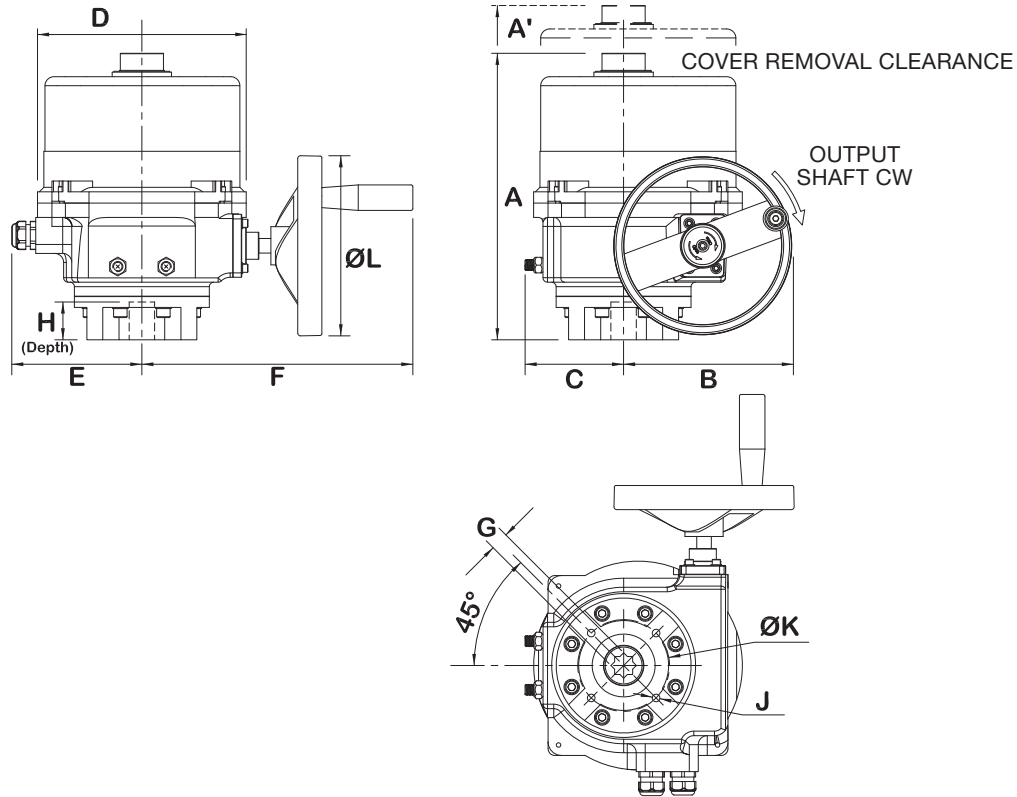
- Torque Switches
- Motor Control Centers
- Local Control Stations
- IP68 Submersion
- Battery Backup
- Supercap Backup
- Interchangeable ISO5211 Flange & Drives

QUARTER-TURN ELECTRIC ACTUATION

TECHNICAL INFORMATION

ACTUATOR SPECIFICATIONS		ELONA10	ELONB11	ELONC12	ELOND13	ELONE14	ELONF15
Supply	Torque Output (lbf-in / Nm)	3540 / 400	5310 / 600	7080 / 800	8850 / 1000	15,040 / 1700	20,350 / 2300
12VAC*	Current Draw (Start / Run / LRA)	11.4A / 9.4A / 24.4A	11.4A / 9.4A / 24.4A	11.4A / 9.4A / 24.4A	-	-	-
	Speed (90°) DC, seconds	21	28	34	-	-	-
	Motor - 12vdc Perm Magnet Brush Type	40W	40W	40W	-	-	-
12VDC*	Duty Cycle (on/off / mod)	75%	75%	75%	-	-	-
	Motor Starts, per hour, Max	1200	1200	1200	-	-	-
	Motor Class	Class B	Class B	Class B	-	-	-
24VAC	Current Draw (Start / Run / LRA)	7.0A / 5.8A / 15A	7.0A / 5.8A / 15A	7.0A / 5.8A / 15A	10.5A / 7.8A / 22A	-	-
	Speed (90°) DC, seconds	21	28	34	34	-	-
	Motor - 24vdc Perm Magnet Brush Type	40W	40W	40W	60W	-	-
24VDC	Duty Cycle (on/off / mod)	75%	75%	75%	75%	-	-
	Motor Starts, per hour, Max	1200	1200	1200	1200	-	-
	Motor Class	Class B	Class B	Class B	Class B	-	-
120V	Current Draw (Start / Run / LRA)	2.95A / 1.8A / 3.5A	2.95A / 1.8A / 3.5A	2.95A / 1.8A / 3.5A	3.8A / 2.3A / 4.8A	7.2A / 4.5A / 9.4A	7.2A / 4.5A / 9.4A
	Speed (90°) 60Hz / 50Hz, seconds	24 / 29	33 / 39	39 / 47	39 / 47	28 / 34	39 / 47
	Motor - 120vac Split-Phase Cap TENV	90W	90W	90W	120W	200W	200W
	Duty Cycle (on/off / mod)	25% / 75%	25% / 75%	25% / 75%	25% / 75%	25% / 75%	25% / 75%
	Motor Starts, per hour, Max	1200	1200	1200	1200	1200	1200
	Motor Protection, Temp / Class	135°C / Class F	135°C / Class F	135°C / Class F	135°C / Class F	135°C / Class F	135°C / Class F
230V	Current Draw (Start / Run / LRA)	1.71A / 0.91A / 1.9A	1.71A / 0.91A / 1.9A	1.71A / 0.91A / 1.9A	2.16A / 1.1A / 2.43A	4.1A / 2.2A / 4.5A	4.1A / 2.2A / 4.5
	Speed (90°) 60Hz / 50Hz, seconds	24 / 29	33 / 39	39 / 47	39 / 47	28 / 34	39 / 47
	Motor - 230vac Split-Phase Cap TENV	90W	90W	90W	120W	200W	200W
	Duty Cycle (on/off / mod)	25% / 75%	25% / 75%	25% / 75%	25% / 75%	25% / 75%	25% / 75%
	Motor Starts, per hour, Max	1200	1200	1200	1200	1200	1200
	Motor Protection, Temp / Class	135°C / Class F	135°C / Class F	135°C / Class F	135°C / Class F	135°C / Class F	135°C / Class F
	Electrical Entry (2)	3/4" EMT or Nylon gland					
	Control	On/Off or Proportional					
	Ambient Operating Range	-22°F to +158°F (-30°C to +70°C)					
	Humidity Range	0-95% RH					
	Altitude Limit	9850 ft / 3000 m					

*12V versions available custom order.



DIMENSIONS

MODEL	A in/mm	A' in/mm	B in/mm	C in/mm	D in/mm	E in/mm	F in/mm	G* in/mm	H in/mm	J* in/mm	K* in/mm	L	WEIGHT lbs/kg	
ELO-NA10	12.64/321	8/200	7.36/187	4.06/103	10.32/262	5.91/150	11.70/297	0.866/22	2.17/55	(4) M10 - 1.50 X 20mm D	F10 4.016/102	7.8 / 197	14.5 turns 90°	49/22
ELO-NB11	12.64/321	8/200	7.36/187	4.06/103	10.32/262	5.91/150	11.70/297	1.063/27	2.17/55	(4) M12 - 1.75 X 20mm D	F12 4.921/125	7.8 / 197	14.5 turns 90°	49/22
ELO-NC12	12.64/321	8/200	7.36/187	4.06/103	10.32/262	5.91/150	11.70/297	1.063/27	2.17/55	(4) M12 - 1.75 X 20mm D	F12 4.921/125	7.8 / 197	14.5 turns 90°	49/22
ELO-ND13	12.64/321	8/200	7.36/187	4.06/103	10.32/262	5.91/150	11.70/297	1.063/27	2.17/55	(4) M12 - 1.75 X 20mm D	F12 4.921/125	7.8 / 197	14.5 turns 90°	49/22
ELO-NE14	14.89/378	10/250	9.49/241	4.69/119	11.54/293	6.34/161	13.62/346	1.063/27	2.56/65	(4) M12 - 1.75 X 20mm D	F14 5.512/140	11.5 / 290	16 turns 90°	80/36
ELO-NF15	14.89/378	10/250	9.49/241	4.69/119	11.54/293	6.34/161	13.62/346	1.417/36	2.56/65	(4) M16 - 2.0 X 20mm D	F14 5.512/140	11.5 / 290	16 turns 90°	80/36

*Consult Pro-Torque/Flo-Tite for optional ISO patterns

Models : ELO-NA16/NB17



**ELO Series
ON/OFF/PROPORTIONAL
ELECTRIC ACTUATORS**

OVERVIEW

The ELO Series are quarter-turn electric industrial service actuators delivering up to 44,250 lbf-in torque in voltages ranging from 120VAC up through 480/3 in on/off or proportional control modes.

Other Key Features include:

- Units are equipped with two (2) volt-free Form A Auxiliary switches rated at up to 10A 250vac
- ISO5211 compliant mounting with double square female drive
- Flat visual position indicator
- Clutch-free manual override handwheel standard
- NEMA 4X/IP67 compliant
- Two (2) 3/4" EMT entry ports with sealed cable glands

OPTIONS

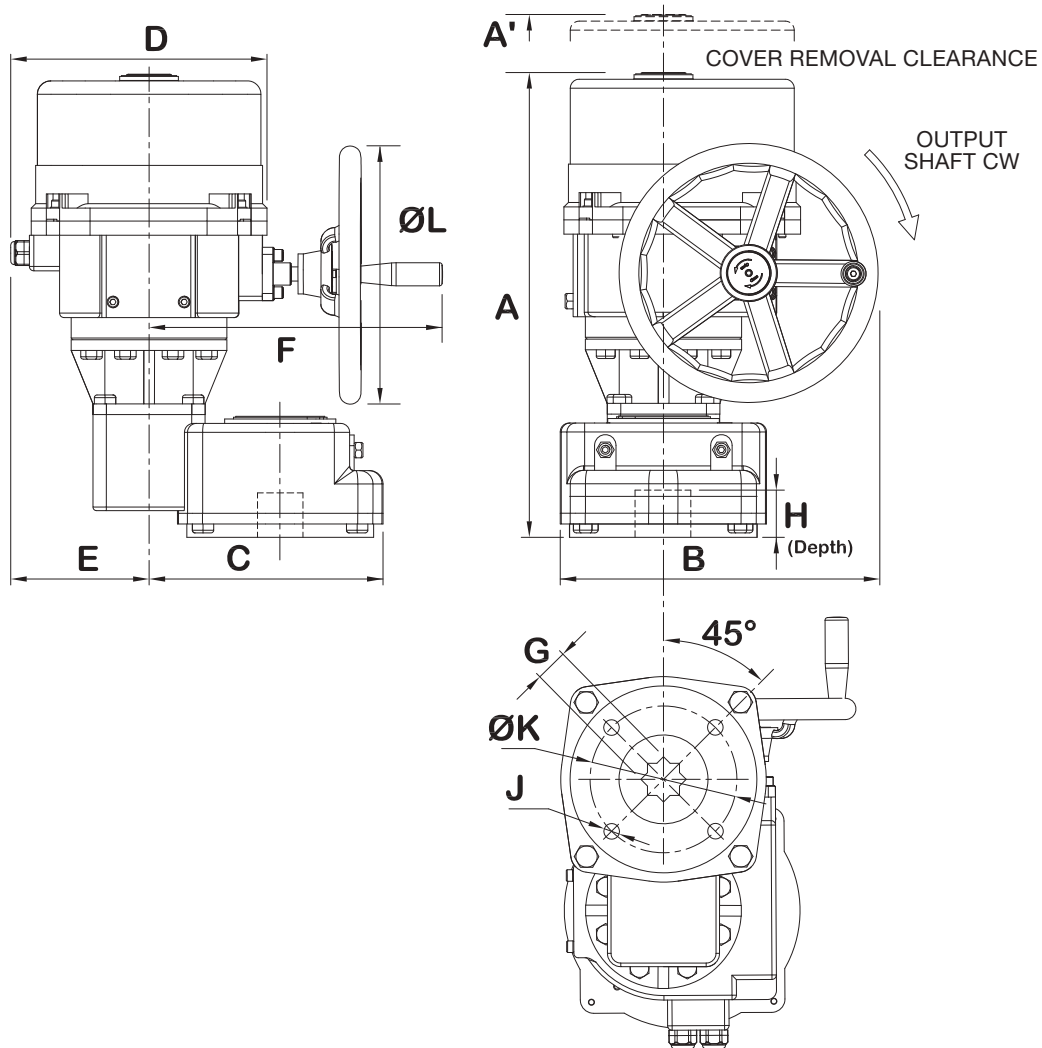
- Torque Switches
- Motor Control Centers
- Local Control Stations
- IP68 Submersion
- Battery Backup

TECHNICAL INFORMATION

ACTUATOR SPECIFICATIONS		ELONA16	ELONB17
Supply*	Torque Output (lbf-in / Nm)	30,975 / 3500	44,250 / 5000
120V	Current Draw (Start / Run / LRA)	7.2A / 4.5A / 9.4A	7.2A / 4.5A / 9.4A
	Motor - 120vac Split-Phase Cap TENV / Protection / Class	200W /135°C / Class F	200W /135°C / Class F
230V	Current Draw (Start / Run / LRA)	4.05A / 2.2A / 4.5A	4.05A / 2.2A / 4.5A
	Motor - 230vac Split-Phase Cap TENV / Protection / Class	200W /135°C / Class F	200W /135°C / Class F
220/3ph	Current Draw (Start / Run / LRA)	3.58A / 1.33A / 4.52A	3.58A / 1.33A / 4.52A
	Motor - 220/3 Polyphase TENV / Protection / Class	200W /135°C / Class F	200W /135°C / Class F
315/3ph	Current Draw (Start / Run / LRA)	2.5A / 1.3A / 3.16A	2.5A / 1.3A / 3.16A
	Motor - 315/3 Polyphase TENV / Protection / Class	200W /135°C / Class F	200W /135°C / Class F
380/3ph	Current Draw (Start / Run / LRA)	2.1A / 1.1A / 2.6A	2.1A / 1.1A / 2.6A
	Motor - 380/3 Polyphase TENV / Protection / Class	200W /135°C / Class F	200W /135°C / Class F
440/3ph	Current Draw (Start / Run / LRA)	1.5A / 0.95A / 2.3A	1.5A / 0.95A / 2.3A
	Motor - 440/3 Polyphase TENV / Protection / Class	200W /135°C / Class F	200W /135°C / Class F
480/3ph	Current Draw (Start / Run / LRA)	1.2A / 0.87A / 2.1A	1.2A / 0.87A / 2.1A
	Motor - 480/3 Polyphase TENV / Protection / Class	200W /135°C / Class F	200W /135°C / Class F
All	Speed (90°) 60Hz / 50Hz	63 sec / 76 sec	88 sec / 105 sec
	Motor Starts	1200 per hour	
	Duty Cycle (on/off / mod)	25% / 50%	
	Control	On/Off/Jog, Proportional	
	Electrical Entry (2)	3/4" EMT or Nylon Gland	
	Ambient Operating Range	-22°F to +158°F (-30°C to +70°C)	
	Humidity Range	0-95% RH	
	Altitude Limit	9850 ft / 3000 m	

*HRSN5 not available below 120vac supply.

TECHNICAL INFORMATION, CONTINUED



DIMENSIONS

MODEL	A in/mm	A' in/mm	B in/mm	C in/mm	D in/mm	E in/mm	F in/mm	G* in/mm	H in/mm	J* in/mm	K* in/mm	L	WEIGHT lbs/kg	
ELO-NA16	20.95/532	9.83/250	14.14/359	8.90/226	11.54/293	6.34/161	13.62/346	1.811/46	3.35/85	(4) M20 - 2.5 X 35mm D	F16 6.50/165	11.42 / 290	35.6 turns 90°	167/76
ELO-NB17	20.95/532	9.83/250	14.14/359	8.90/226	11.54/293	6.34/161	13.62/346	1.811/46	3.35/85	(4) M20 - 2.5 X 35mm D	F16 6.50/165	11.42 / 290	35.6 turns 90°	167/76

*Consult Flo-Tite for optional ISO patterns

Models : ELO-NA18



**ELO-NA18 Series
ON/OFF/PROPORTIONAL
ELECTRIC ACTUATORS**

OVERVIEW

The ELO Series are quarter-turn electric industrial service actuators delivering up to 71,200 lbf-in torque in voltages ranging from 120VAC up through 480/3 in on/off or proportional control modes.

Other Key Features include:

- Units are equipped with two (2) volt-free Form A Auxiliary switches rated at up to 10A 250vac
- ISO5211 compliant mounting with double square female drive
- Flat visual position indicator
- Clutch-free manual override handwheel standard
- NEMA 4X/IP67 compliant
- Two (2) 3/4" EMT entry ports with sealed cable glands

OPTIONS

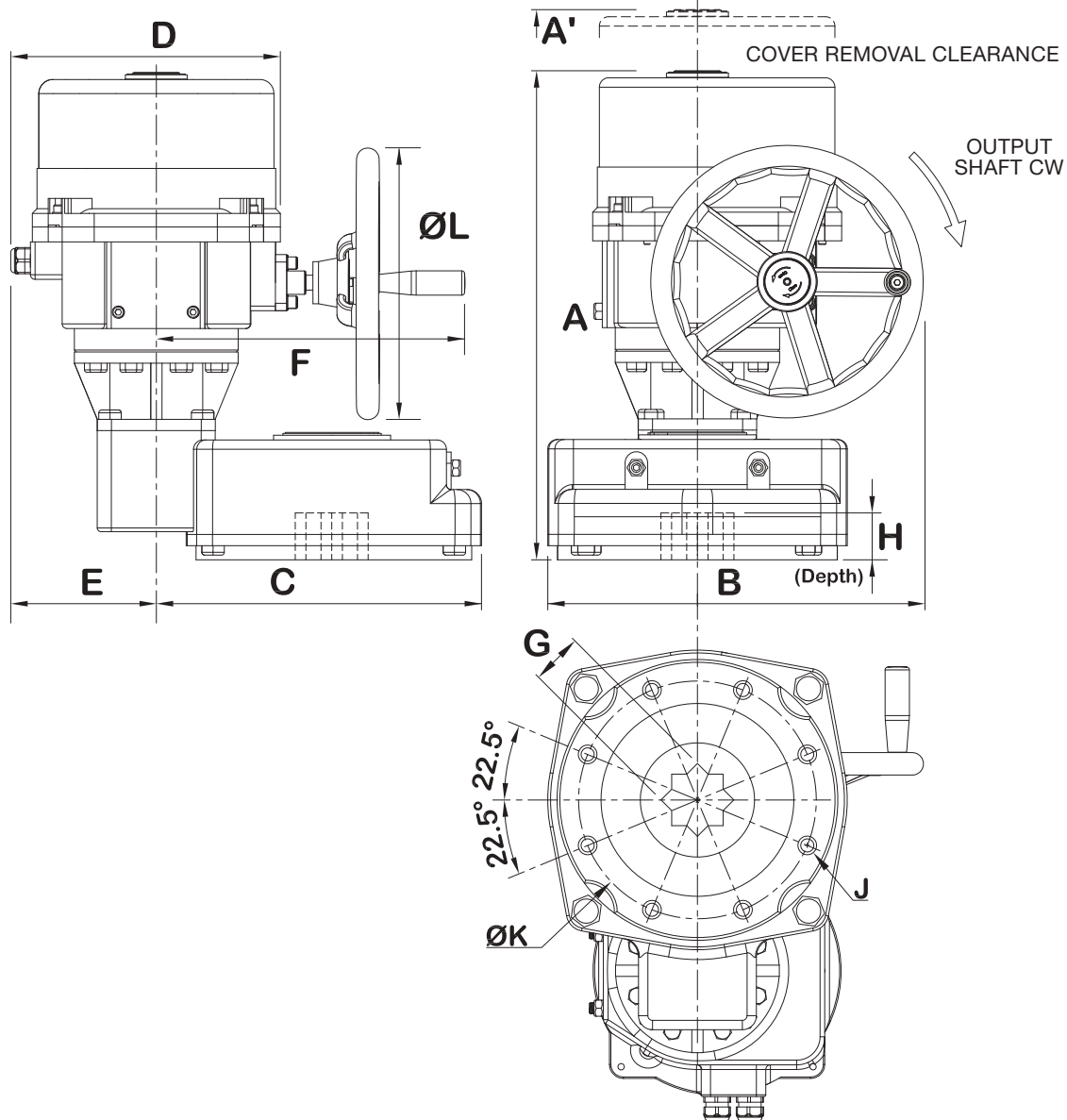
- Torque Switches
- Motor Control Centers
- Local Control Stations
- IP68 Submersion
- Battery Backup

QUARTER-TURN ELECTRIC ACTUATION

TECHNICAL INFORMATION

ACTUATOR SPECIFICATIONS		ELO-NA18
Supply*	Torque Output (lbf-in / Nm)	71,200 / 8000
120V	Current Draw (Start / Run / LRA)	7.2A / 4.5A / 9.4A
	Motor - 120vac Split-Phase Cap TENV / Protection / Class	200W / 135°C / Class F
230V	Current Draw (Start / Run / LRA)	4.05A / 2.2A / 4.5A
	Motor - 230vac Split-Phase Cap TENV / Protection / Class	200W / 135°C / Class F
220/3ph	Current Draw (Start / Run / LRA)	3.58A / 1.33A / 4.52A
	Motor - 220/3 Polyphase TENV / Protection / Class	200W / 135°C / Class F
315/3ph	Current Draw (Start / Run / LRA)	2.5A / 1.3A / 3.16A
	Motor - 315/3 Polyphase TENV / Protection / Class	200W / 135°C / Class F
380/3ph	Current Draw (Start / Run / LRA)	2.1A / 1.1A / 2.6A
	Motor - 380/3 Polyphase TENV / Protection / Class	200W / 135°C / Class F
440/3ph	Current Draw (Start / Run / LRA)	1.5A / 0.95A / 2.3A
	Motor - 440/3 Polyphase TENV / Protection / Class	200W / 135°C / Class F
480/3ph	Current Draw (Start / Run / LRA)	1.2A / 0.87A / 2.1A
	Motor - 480/3 Polyphase TENV / Protection / Class	200W / 135°C / Class F
All	Speed (90°) 60Hz / 50Hz	120 sec / 143 sec
	Motor Starts	1200 per hour
	Duty Cycle (on/off / mod)	25% / 50%
	Control	on/off or proportional
	Electrical Entry (2)	3/4" EMT or Nylon Gland
	Ambient Operating Range	-22°F to +158°F (-30°C to +70°C)
	Humidity Range	0-95% RH
Altitude Limit	9850 ft / 3000 m	

*ELO-NA18 not available below 120vac supply.



DIMENSIONS

MODEL	A in/mm	A' in/mm	B in/mm	C in/mm	D in/mm	E in/mm	F in/mm	G* in/mm	H in/mm	J* in/mm	K* in/mm	L	WEIGHT lbs/kg	
ELO-NA18	22.56/573	9.83/250	15.75/400	13.50/343	11.54/293	6.34/161	12.76/324	2.165/55	5.12/130	(8) M16 - 2.0 X 35mm D	F25 10.0/254	11.42/ 290	48 turns 90°	235/107



ELO Series ON/OFF/PROPORTIONAL ELECTRIC ACTUATORS

OVERVIEW

The ELO Series are quarter-turn electric industrial service actuators delivering up to 177,000 lbf-in torque in voltages ranging from 220/3 up through 480/3 in on/off or proportional control modes. Other Key Features include:

- Units are equipped with two (2) volt-free Form A Auxiliary switches rated at up to 10A 250vac
- ISO5211 compliant mounting with double square female drive inserts
- Flat visual position indicator
- Clutch-free manual override handwheel standard
- NEMA 4X/IP67 compliant
- Two (2) 3/4" EMT entry ports with sealed cable glands

OPTIONS

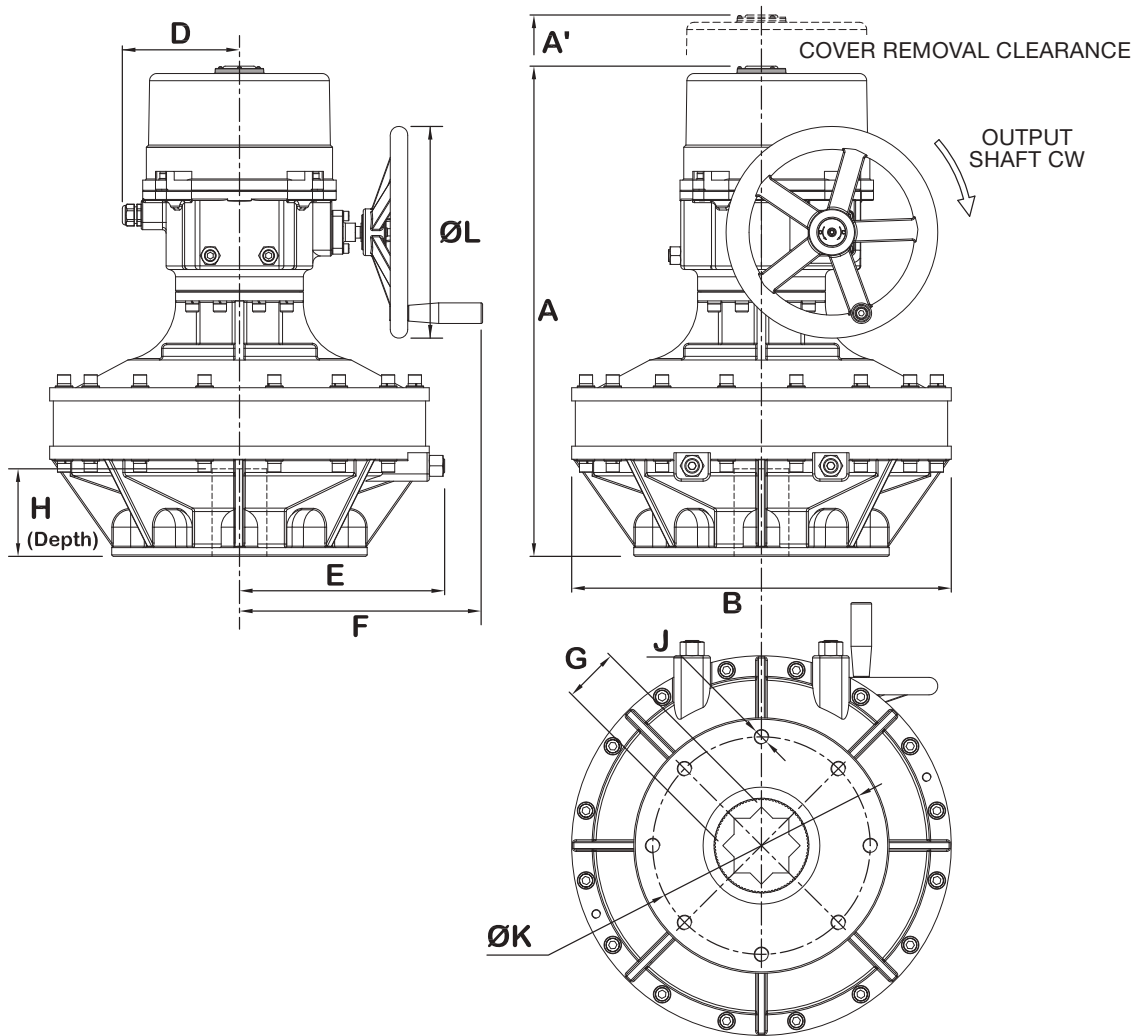
- Torque Switches
- Motor Control Centers
- Local Control Stations
- IP68 Submersion
- Interchangeable ISO5211 Drive Inserts

TECHNICAL INFORMATION

ACTUATOR SPECIFICATIONS		ELO-NA19	ELO-NB20	ELO-NC21
Supply*	Torque Output (lbf-in / Nm)	115,700 / 13000	142,400 / 16000	177,000 / 20000
220/3ph	Current Draw (Start / Run / LRA)	6.82A / 3.5A / 8.89A	6.82A / 3.5A / 8.89A	6.82A / 3.5A / 8.89A
	Motor - 220/3 Polyphase TENV	400W / 135°C / Class F	400W / 135°C / Class F	400W / 135°C / Class F
315/3ph	Current Draw (Start / Run / LRA)	4.75A / 2.4A / 6.20A	4.75A / 2.4A / 6.20A	4.75A / 2.4A / 6.20A
	Motor - 315/3 Polyphase TENV	400W / 135°C / Class F	400W / 135°C / Class F	400W / 135°C / Class F
380/3ph	Current Draw (Start / Run / LRA)	3.95A / 2.0A / 5.0A	3.95A / 2.0A / 5.0A	3.95A / 2.0A / 5.0A
	Motor - 380/3 Polyphase TENV	400W / 135°C / Class F	400W / 135°C / Class F	400W / 135°C / Class F
440/3ph	Current Draw (Start / Run / LRA)	3.2A / 1.7A / 4.32A	3.2A / 1.7A / 4.32A	3.2A / 1.7A / 4.32A
	Motor - 440/3 Polyphase TENV	400W / 135°C / Class F	400W / 135°C / Class F	400W / 135°C / Class F
480/3ph	Current Draw (Start / Run / LRA)	2.2A / 1.6A / 3.96A	2.2A / 1.6A / 3.96A	2.2A / 1.6A / 3.96A
	Motor - 480/3 Polyphase TENV	400W / 135°C / Class F	400W / 135°C / Class F	400W / 135°C / Class F
All	Speed (90°) 60Hz / 50Hz	91 sec / 109 sec	108 sec / 129 sec	130 sec / 155 sec
	Motor Starts		1200 per hour	
	Duty Cycle (on/off / mod)		25% / 50%	
	Control		on/off or proportional	
	Electrical Entry (2)		3/4" EMT or Nylon Gland	
	Ambient Operating Range		-22°F to +158°F (-30°C to +70°C)	
	Humidity Range		0-95% RH	
	Altitude Limit		9850 ft / 3000 m	

*ELO-NA19/NB20/NC21 not available below 220/3 supply.

TECHNICAL INFORMATION, CONTINUED



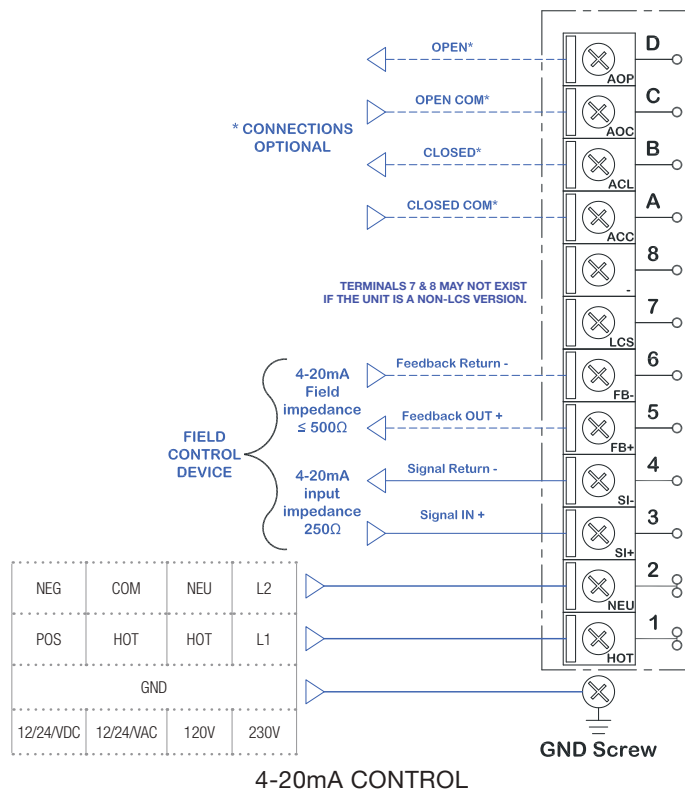
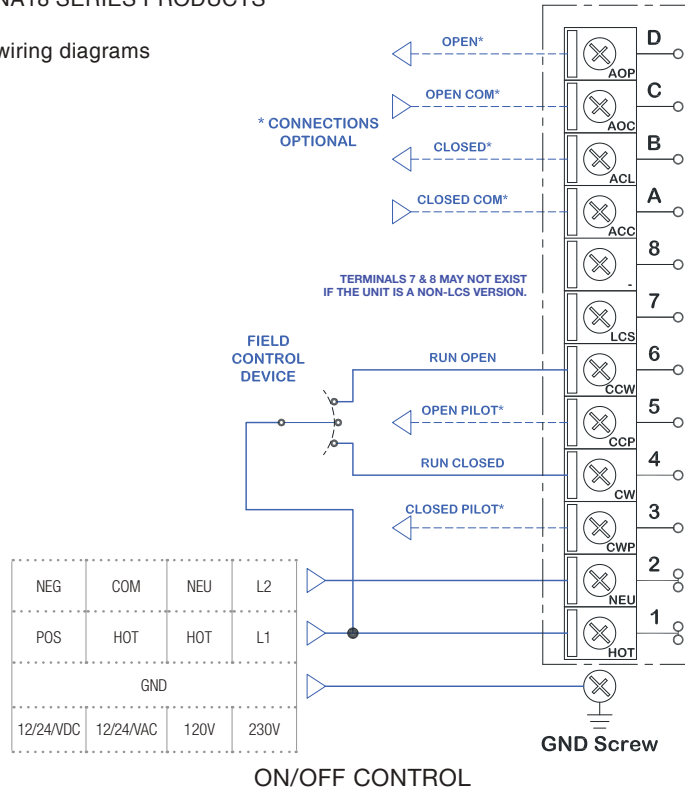
DIMENSIONS

MODEL	A in/mm	A' in/mm	B in/mm	C in/mm	D in/mm	E in/mm	F in/mm	G* in/mm	H in/mm	J* in/mm	K* in/mm	L	WEIGHT lbs/kg	
ELO-NA19	26.46/672	9.83/250	20.47/520	-	6.34/161	11.06/281	13.03/331	2.953/75	4.72/120	(8) M20 - 2.5 X 35mm D	F30 11.73/298	11.5/ 290	48 turns 90°	480/218
ELO-NB20	26.46/672	9.83/250	20.47/520	-	6.34/161	11.06/281	13.03/331	2.953/75	4.72/120	(8) M20 - 2.5 X 35mm D	F30 11.73/298	11.5/ 290	48 turns 90°	480/218
ELO-NC21	26.46/672	9.83/250	20.47/520	-	6.34/161	11.06/281	13.03/331	2.953/75	4.72/120	(8) M20 - 2.5 X 35mm D	F30 11.73/298	11.5/ 290	48 turns 90°	480/218

*Consult Pro-Torque/Flotite for optional ISO patterns

ELO SERIES WIRING DIAGRAMS

APPLIES TO ALL N4 THRU NA18 SERIES PRODUCTS
12VAC/DC ~ 220/1 PHASE
Contact Flo-Tite for 3 phase wiring diagrams



AirCon C Series

Pneumatic Rack & Pinion
Rotary Actuators
Spring Return & Double Acting
Travel Stop Adjustments 5%
Optional travel stop for 100%



Extended Range Series

AirCon heavy duty rack and seven pinion actuators offer a broad range of torques up to 1,565,800 inch lbs



AirMax Cylinder Type

Dependable high-cycle operation. The AirMax Actuator is the most efficient pneumatic actuator available, delivering precise reliable automation for all types of control valves.



Kompact 4 Series

Space Saving—fast acting four piston design—increased number of pistons allows for a smaller piston diameter, allowing less air consumption to reduce size while maintaining its high output torques.



Automator Series

Spring-Diaphragm Actuator designed & developed specifically for valves that require precise control with low air supply. Torque range: 133 to 12680 inch lbs



Inox Series

304 & 316 Stainless Steel Pneumatic rack & pinion Actuators suitable for highly corrosive environments.



Pro-Torq Series

Electric Actuators built for Industrial process & commercial applications. Torque range: 90 to 177,000 inch lbs.



Power Stroke

The Power-Stroke Series is a heavy-duty product line of pneumatic actuators ideal for operating a higher torque ball, butterfly, or plug valves. Our Scotch-Yoke design mechanism produces a torque curve that closely matches requirements of valve actuation when converting linear to rotary motion. The Scotch-Yoke produces greater torque at the beginning and the end of each stroke of the piston, precisely where it is required to operate most valve types.





ACTUATORS & CONTROLS

Actuation Accessories

Air-Con SV Direct Mount Solenoids

Custom-designed pilot type valves for use with pneumatic actuators.

FEATURES:

- NAMUR Direct Mounting Rapid
- response
- Nickel infused aluminum body Optional
- stainless
- Wide selection of three & four way types
- Voltage 12, 24, 120, 220 available
- NEMA 4 & 7



Limit Switch

ALS Series

Low Cost Compact Design

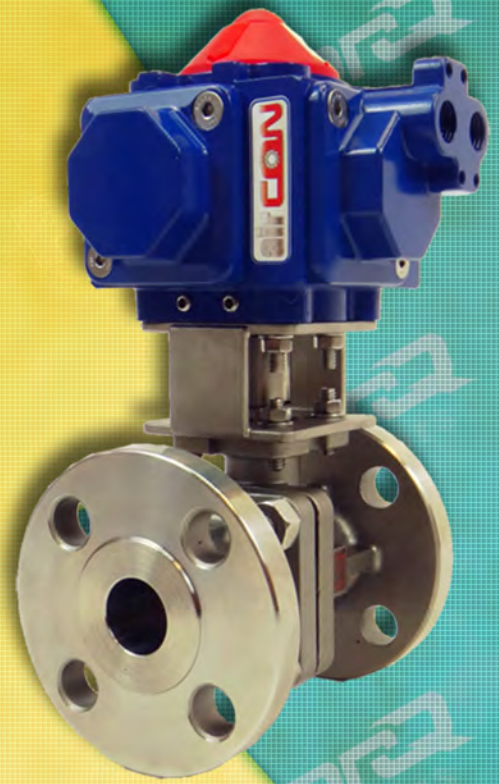


ALS II Series

Conventional Size Box



Corrosion Resistance
Nickel Infused Housing
Low Profile
Visual Indication



www.flotite.com

4815 West 5th St.
Lumberton, NC 28358

Phone: 910-738-8904
Fax: 910-738-9112