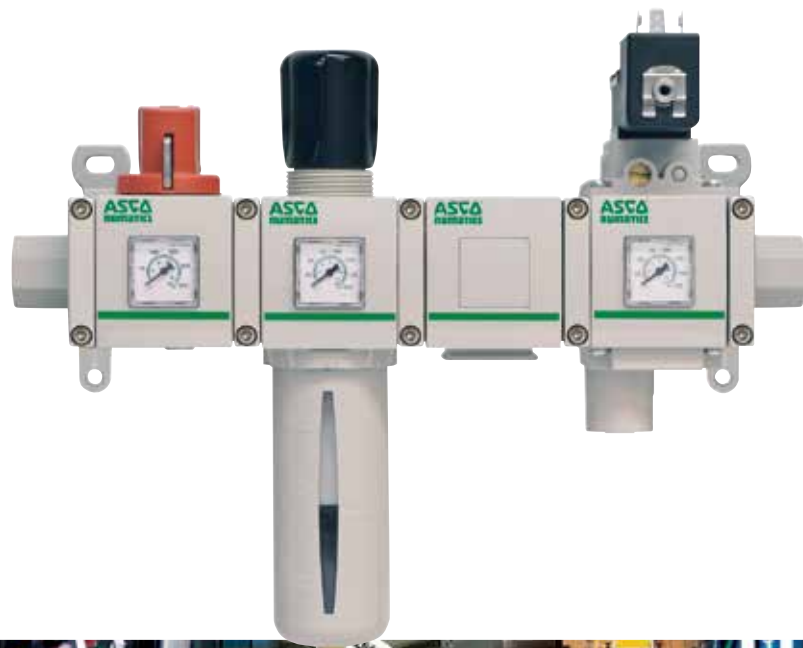


# ASCO<sup>TM</sup> NUMATICS

## Air Preparation Products

651 | 652 | 653 Series

Filter Regulator Lubricator (FRL)





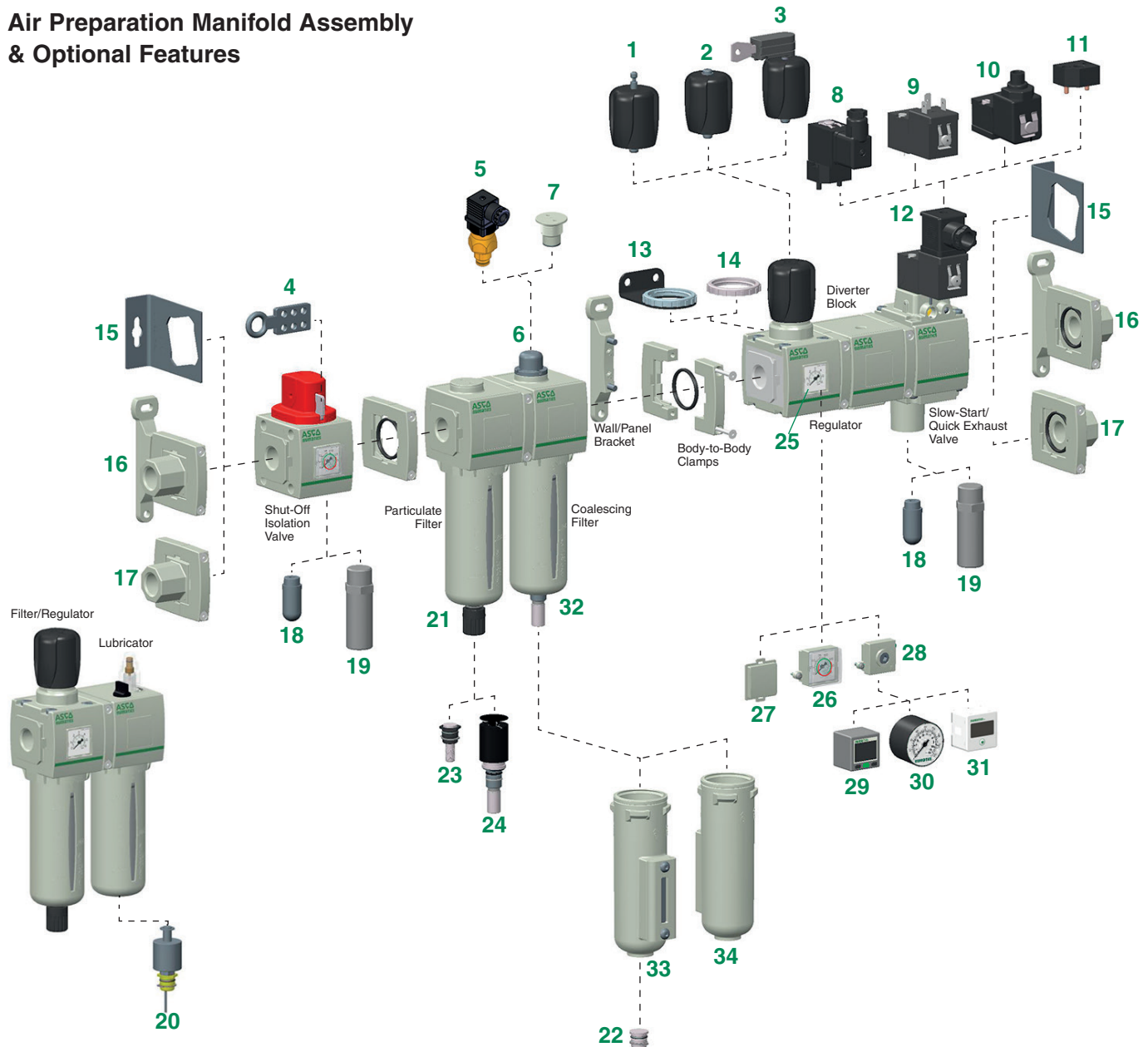
# Table of Contents

## 651/652/653 Series

Product Overview	2
Particulate Filter	4
Coalescing Filter	8
Adsorber - Activated Carbon	8
Regulator	12
Manifold Regulator	16
Particulate Filter/Regulator	19
Coalescing Filter/Regulator	23
Lubricator	27
Shut-Off Isolation Valve	30
Slow Start-Quick Exhaust Valve	33
Diverter Block	36
Lockout Valve	38
Air Preparation FR + L Manifold Assemblies	40
Mounting Bracket Dimensional Drawings	42
Bowl and Drain Features	43
280 Series Digital Pressure Switch	44
PS180 Series Pressure Switch	45
Digital Pressure Gauge	45
349 Series Pressure Switch	46
Electric Differential Pressure Indicator (DPI)	47
Electronic Liquid Level Indicator	47
Kits and Service Parts	48

## 651/652/653 Series - Product Overview

### Air Preparation Manifold Assembly & Optional Features



- |  |   |  |
|--|---|--|
| 1) Provision for Key Lockable (Regulator & F/R*)                     | 15) Side Mounting Brackets                                      | 30) Round Gauge                                      |
| 2) Tamper Resistant (Regulator & F/R*)                               | 16) End Plates, Body-to-Body Clamps & Wall/Panel Brackets       | 31) Digital Gauge                                    |
| 3) Key Lockable (Regulator & F/R*)                                   | 17) End Plates & Body-to-Body Clamps                            | 32) Polycarbonate Bowl & Guard                       |
| 4) Scissor Lock  | 18) Polyethylene Muffler  | 33) Metal Bowl with Borosilicate (Glass) Sight Gauge |
| 5) Electric Differential Pressure Indicator (Coalescing Filter)      | 19) Metal Muffler   | 34) Metal Bowl without Sight Gauge                   |
| 6) Differential Pressure Visual Pop-Up Indicator (Coalescing Filter) | 20) Electronic Liquid Level Indicator                           |  |
| 7) No Differential Pressure Indicator                                | 21) Semi-Automatic/Manual Drain                                 |  |
| 8) 189 Series Vertical Solenoid                                      | 22) Plug for No Drain   |  |
| 9) 190 Series Horizontal Solenoid                                    | 23) Manual Drain – Stainless Steel                              |  |
| 10) 190 Series Horizontal Solenoid with 4Pin M12 Connection          | 24) Automatic Drain – Normally Open – Brass                     |  |
| 11) Pilot Air Operated   | 25) Low profile integrated gauge                                |  |
| 12) Horizontal Solenoid  | 26) Low profile integrated gauge with Pressure Range Indicators |  |
| 13) Panel Nut/Panel Bracket (Regulator & F/R*)                       | 27) No Gauge Port   |  |
| 14) Panel Nut (Regulator & F/R)                                      | 28) Port Plate  |  |
|  | 29) Digital Pressure Switch – DPS 280 Series                    |  |

\*F/R = Filter/Regulator

All leaflets are available on: [www.asco.com](http://www.asco.com)

## 2 - Air Preparation



**651/652/653 Series Modular Assembly Mounting Features**

(See Accessories for part numbers: page 51)

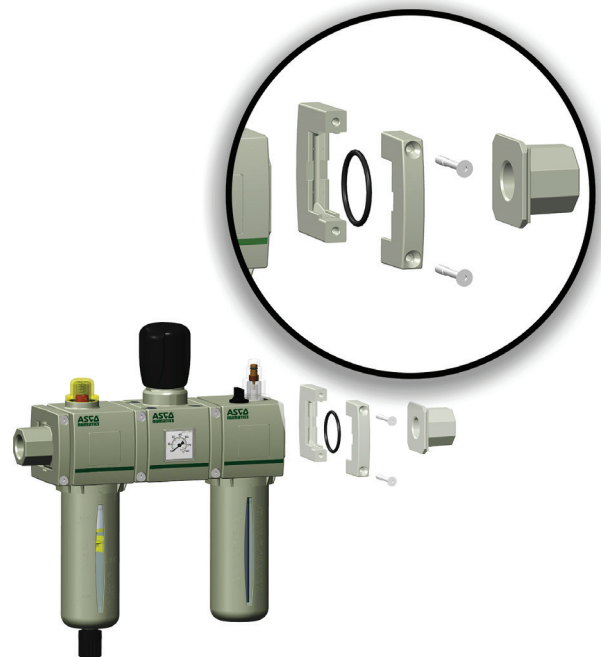
**Body-to-Body Assembly Clamp**

Easy to assemble Body-to-Body clamp, with captive screws. Products are easily assembled in seconds.



**End Plates with Body-to-Body Assembly Clamp**

The "End Plate" feature allows the user to easily remove the air prep assembly without having to remove the piping. Simply loosen the screws on the Body-to-Body assembly clamps, and the manifold is easily removed in seconds. The kit includes Inlet/Outlet plates, Body-to-Body clamps and o-rings.



**Wall/Panel Bracket**

The Wall/Panel Bracket feature is the primary mounting feature for the air prep assemblies. These brackets easily attach to the back of the Body-to-Body assembly clamps using two screws. In addition, this bracket can be used as a support bracket in between any station on the manifold.



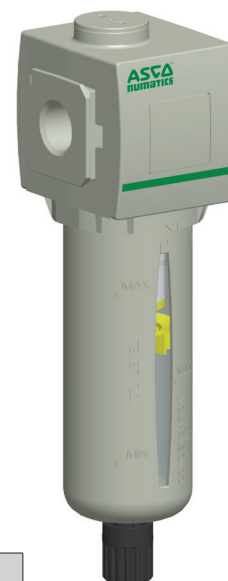
**Side Mounting Brackets**

Side mounting brackets are a quick, effective solution for single elements or light assemblies of few components. Recommended only for static applications (without vibration).

NOTE: All ports are threaded as standard (except Lock-out Valve).



- Large selection of filtering capacities to remove particulate and water droplets from compressed air or inert gas
- Sintered polyethylene elements include 5 and 25 Microns
- Optional extended temperature range of -40°C to +80°C
- Innovative two position plastic drain with manual and semi-automatic functions. Additional drains include an automatic style (brass) and manual (stainless steel)
- Polycarbonate and Aluminium bowls with or without glass gauge, to meet industry all application requirements
- Threaded ports allow for individual or modular mounting
- Air Purity Class according to ISO 8573-1: 2010



Performance Data					
Series			651	652	653
Port sizes			1/8, 1/4	1/4, 3/8, 1/2	3/4, 1
Thread type			G (NPTF in option)		
Nominal flow - ISO 6358  P1 = 6,3 bar ΔP = 1 bar	1/8	Micron Rating	l/min (ANR)		
		5 μm	885	-	-
	25 μm	920	-	-	
	1/4	5 μm	1250	2020	-
		25 μm	1410	2250	-
	3/8	5 μm	-	2190	-
		25 μm	-	3390	-
	1/2	5 μm	-	2290	-
		25 μm	-	3700	-
	3/4	5 μm	-	-	4000
		25 μm	-	-	4700
	1	5 μm	-	-	4250
		25 μm	-	-	5000
	Maximum inlet pressure (bar)	Polycarbonate bowl	16		12
Aluminium bowl		16		20	
Ambient temperature range (°C)			-20 to +50		
Fluid temperature range (°C)			-20 to +50		
Fluid			air or inert gas		
Weight (kg)	w/Polycarbonate bowl	0,238	0,426	0,934	
	w/Aluminium bowl	0,382	0,553	1,140	

Materials in contact with fluid	
Body	Aluminium
Seals	NBR/FPM
Filter element	Sintered polyethylene
Bowl	Polycarbonate or aluminium

Air Purity Class - ISO 8573-1: 2010	
5 μm	(5:8:4)
25 μm	(6:8:4)

## HOW TO ORDER

### Particulate Filter

**G 651 A B B P 2 J A00 0 N**

[Configurator - CAD Files](#)

**Thread connection**

- G = ISO 228/1-G <sup>(1)</sup>
- 8 = NPTF

**Product series**

- 651
- 652
- 653

**Revision letter**

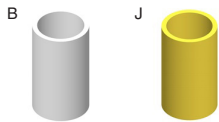
A

**Product type**

- B = Filter - Particulate

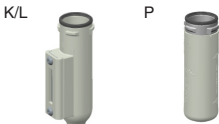
**Elements**

- B = 5 µm (White)
- J = 25 µm (Yellow)



**Bowl type**

- K = Metal bowl without sight gauge
- L = Metal bowl with sight gauge (glass)
- P = Polycarbonate bowl with bowl guard



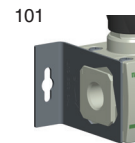
**Drain type**

- 0 = Without
- A = Auto drain normally open
- N = Manual/Semi-automatic drain
- Q = Manual drain - Stainless steel



**Options <sup>(2)</sup>**

- A00 = Without option
- 101 = Side Mounting Brackets
- 105 = High temperature (+80°C)
- 106 = Low temperature (-40°C) <sup>(3)</sup>
- 109 = FPM seals
- 117 = ATEX zones 1-21
- 124 = CUTR Certification (EAC)
- 125 = CUTR Ex
- 202 = 105 + 109
- 2A9 = 105 + 106



**Port size**

- 1 = 1/8 (651 Series)
- 2 = 1/4 (651 or 652 Series)
- 3 = 3/8 (652 Series)
- 4 = 1/2 (652 Series)
- 5 = 3/4 (653 Series)
- 6 = 1 (653 Series)

<sup>(1)</sup> Conforms to ISO standards 1179-1

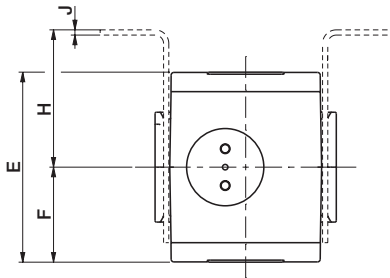
<sup>(2)</sup> If multiple options are required, please use the on-line CAD configurator on the website to generate the part number ([www.asco.com](http://www.asco.com)).

<sup>(3)</sup> Compressed air must be dry enough so no ice formation is present on the product. All bowls should be emptied prior to ambient temperatures dropping below 0°C.

**Dimensions: mm**

**Dimensional Drawing - 651/652/653 Series Particulate Filter**

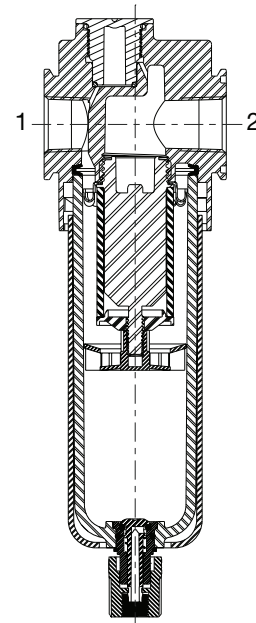
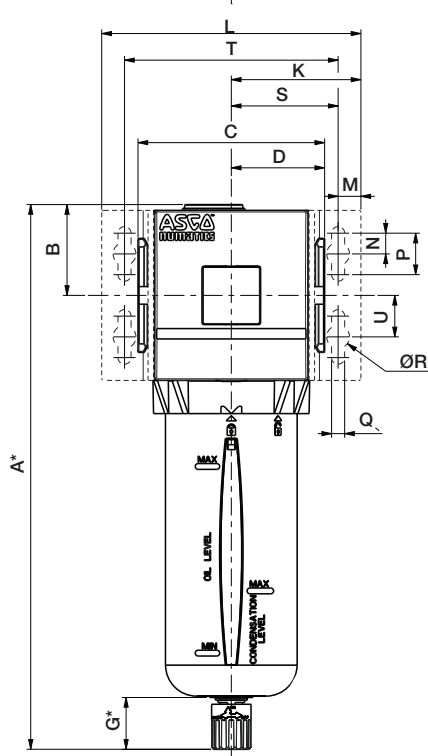
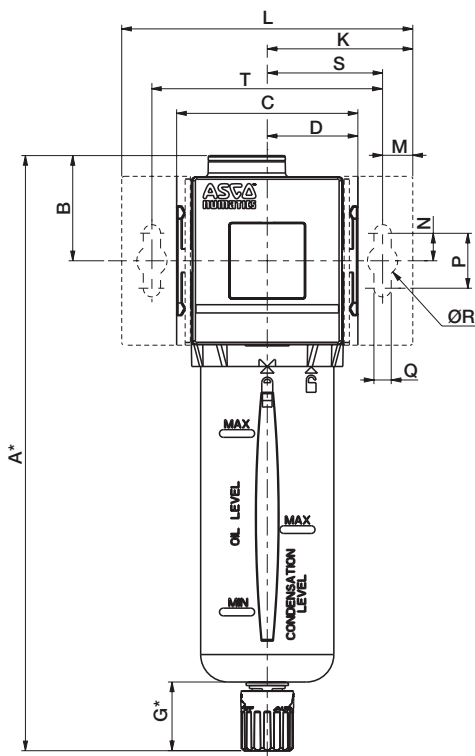
[Configurator - CAD Files](#)



**651/652 Series**

**653 Series**

**Cross Section - 651/652/653 Series Particulate Filter**



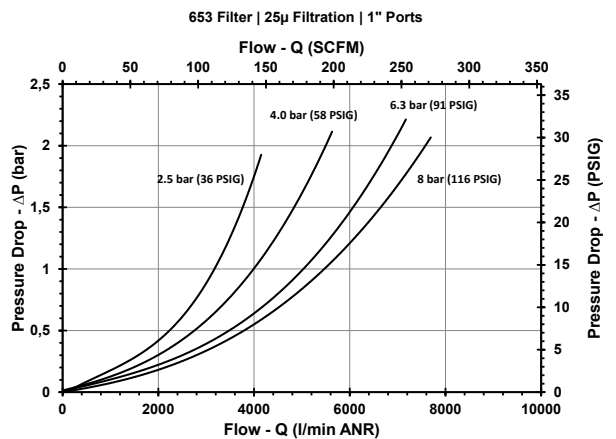
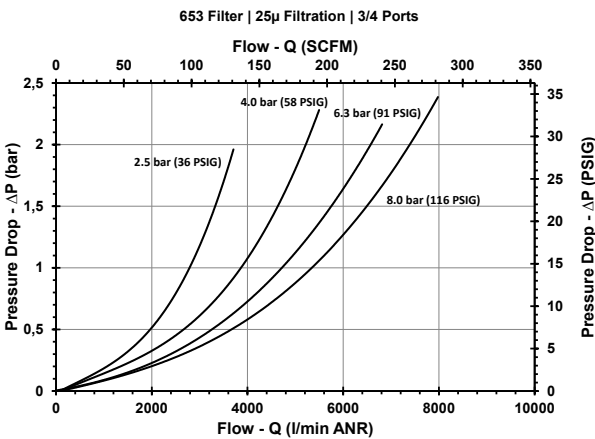
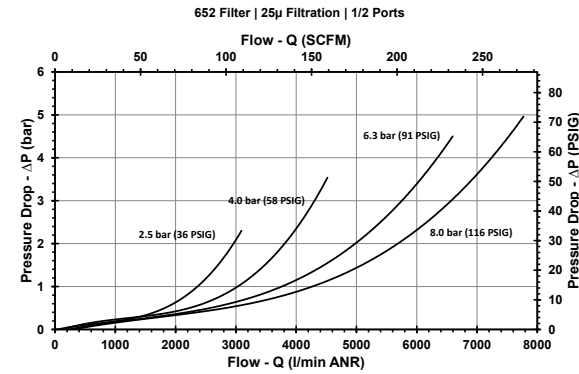
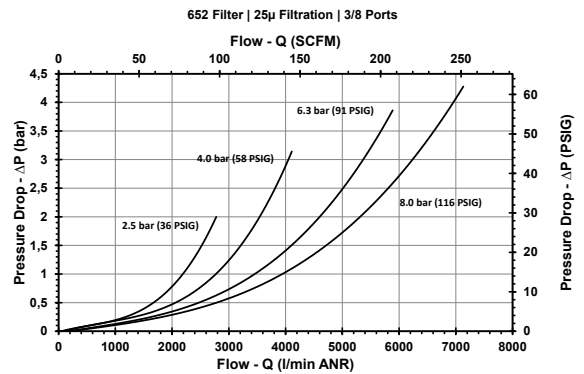
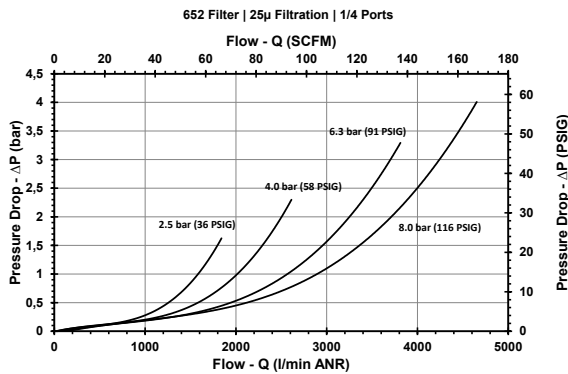
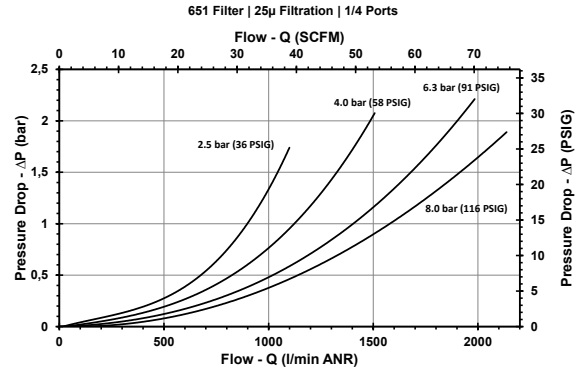
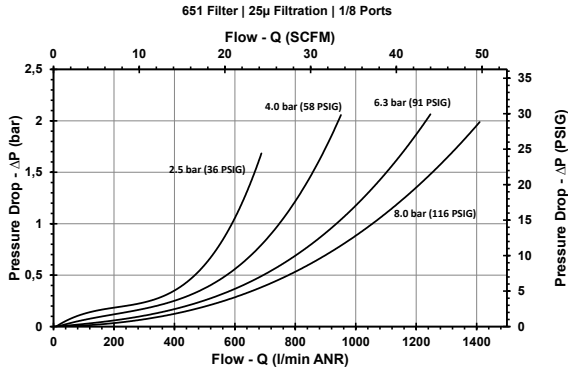
To remove bowl allow:  
 651 - 44 mm  
 652 - 75 mm  
 653 - 100 mm  
 from the bottom  
 of the bowl drain.

Series	A	B	C	D	E	F	G	H*	J
651	197	33,8	50	25	58	29	25	44,5	1,27
652	217	38,3	66	33	69	34,5	25	50	1,9
653	260,7	43,8	90	45	93,2	46,6	25	62	3

Series	K	L	M	N	P	Q	ØR	S	T	U
651	46	92	11	10	20	6,3	11	35	70	-
652	53	106	11	10	20	6,3	11	42	84	-
653	62,5	125	11	10	20	6,3	11	51,5	103	20

\* Variable dimension based on type of drain that is specified. If an Automatic Drain is specified, add another 5 mm to "G" dimension, which also adds 5 mm to the "A" dimension.

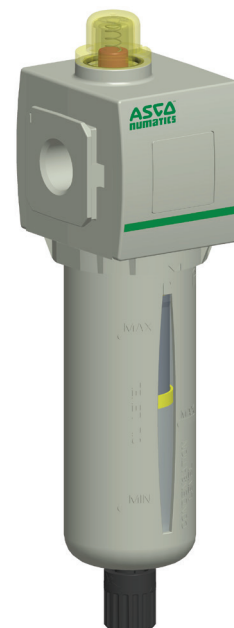
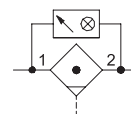
**Particulate Filter Flow Charts**



01801GB-2017/R02  
Availability, design and specifications are subject to change without notice. All rights reserved.

# COALESCING FILTER & ADSORBER

- Extensive range of coalescing filter elements to remove oil and sub-micron particles down to 0,01 microns
- Optional 3 micron pre-filter integrated in the coalescing element eliminates the need for a separate particulate element. Coalescing filter elements include 0,3 and 0,01 microns
- Adsorber filter (activated carbon) for removal of odors and hydrocarbon vapor
- Innovative two position plastic drain with manual and semi-automatic functions. Additional drains include an automatic style (brass) and manual (stainless steel).
- Polycarbonate and Aluminium bowls with or without glass gauge, to meet industry all a pplication requirements
- Visual or electrical differential pressure Indicators for condition monitoring of filter element
- Air Purity Class according to ISO 8573-1: 2010
- Optional extended temperature range of +80°C



Performance Data						
Series	651	652	653	653 High Flow		
Port sizes	1/8, 1/4	1/4, 3/8, 1/2	3/4	1		
Thread type	G (NPTF in option)					
Nominal flow - ISO 6358  P1 = 6,3 bar ΔP = 0,35 bar	1/8	Micron Rating	l/min (ANR)			
		0,3 µm	430	-	-	-
	0,01 µm	310	-	-	-	
	1/4	0,3 µm	480	800	-	-
		0,01 µm	350	710	-	-
	3/8	0,3 µm	-	820	-	-
		0,01 µm	-	790	-	-
	1/2	0,3 µm	-	870	-	-
		0,01 µm	-	830	-	-
	3/4	0,3 µm	-	-	2550	-
		0,01 µm	-	-	1900	-
	1	0,3 µm	-	-	2600	8250
0,01 µm		-	-	2250	7700	
Maximum inlet pressure (bar)	Polycarbonate	16		12	-	
	Aluminium	16		20		
Ambient temperature range (°C)	+1,7 to +50					
Fluid temperature range (°C)	+1,7 to +50					
Fluid	air or inert gas					
Weight (kg)	w/Polycarbonate bowl	0,245	0,442	1,442	-	
	w/Aluminium bowl	0,390	0,569	1,234	1,828	

Materials in contact with fluid	
Body	Aluminium
Seals	NBR/FPM
Coalescing filter element	Borosilicate Microfiber & Polyester
Filter element end cap	Polypropylene
Adsorber	Activated carbon
Bowl	Polycarbonate or aluminium

Air Purity Class - ISO 8573-1: 2010*	
0,3 µm	(3:7:3)
0,01 µm	(2:7:2)

- \* 651 Series maximum flow at 6,3 bar inlet pressure to maintain air purity class is 100 l/min.
- \* 652 Series maximum flow at 6,3 bar inlet pressure to maintain air purity class is 300 l/min.
- \* 653 Series maximum flow at 6,3 bar inlet pressure to maintain air purity class is 700 l/min.
- \* 653 Series - High Flow maximum flow at 6,3 bar inlet pressure to maintain air purity class is 1640 l/min.

## HOW TO ORDER

### Coalescing Filter & Adsorber

**G 651 A F D P 2 H A00 0 N**

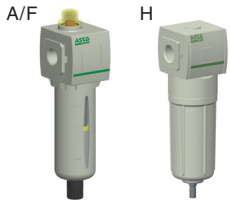
[Configurator - CAD Files](#)

**Thread connection**  
 G = ISO 228/1-G <sup>(1)</sup>  
 8 = NPTF

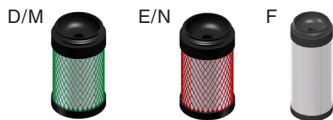
**Product series**  
 651  
 652  
 653

**Revision letter**  
 A

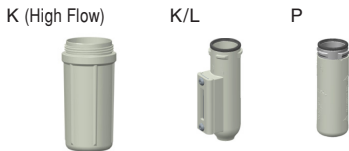
**Product type**  
 A = Adsorber - Activated Carbon  
 F = Filter - Coalescing  
 H = High Flow Version (653 Series) <sup>(2)</sup>



**Elements**  
 D = 0,3 micron - Coalescer (Green)  
 E = 0,01 micron - Coalescer (Red)  
 F = Adsorber - Activated carbon (Grey)  
 M = 0,3 micron coalescer with 3 micron prefilter (Green)  
 N = 0,01 micron coalescer with 3 micron prefilter (Red)



**Bowl type**  
 K = Metal bowl without sight gauge  
 L = Metal bowl with sight gauge (glass)  
 P = Polycarbonate bowl with bowl guard



**Drain type**

0 = Without  
 A = Auto drain normally open  
 N = Manual/Semi-automatic drain  
 Q = Manual drain - Stainless steel



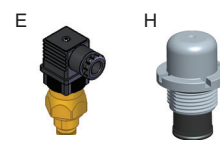
**Options <sup>(3)</sup>**

A00 = Without option  
 101 = Side Mounting Brackets  
 105 = High temperature (+80°C)  
 109 = FPM seals  
 117 = ATEX zones 1-21   
 124 = CUTR Certification (EAC)  
 125 = CUTR Ex  
 202 = 105 + 109



**Indication type**

E = Electrical differential pressure indicator  
 H = Differential pressure visual pop-up indicator  
 J = No differential pressure indicator



**Port size**

1 = 1/8 (651 Series)  
 2 = 1/4 (651 or 652 Series)  
 3 = 3/8 (652 Series)  
 4 = 1/2 (652 Series)  
 5 = 3/4 (653 Series)  
 6 = 1 (653 Series)

01802GB-2017/R02 Availability, design and specifications are subject to change without notice. All rights reserved.

<sup>(1)</sup> Conforms to ISO standards 1179-1.

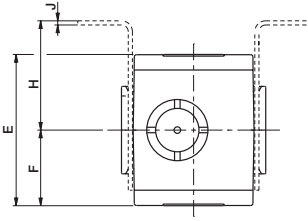
<sup>(2)</sup> Only available in 1" Port Size and with Metal Bowl without Sight Gauge.

<sup>(3)</sup> [If multiple options are required, please use the on-line CAD configurator on the website to generate the part number \(www.asco.com\).](#)

Dimensions: mm

Dimensional Drawing - 651/652/653 Series Coalescing Filter and Adsorber Filter

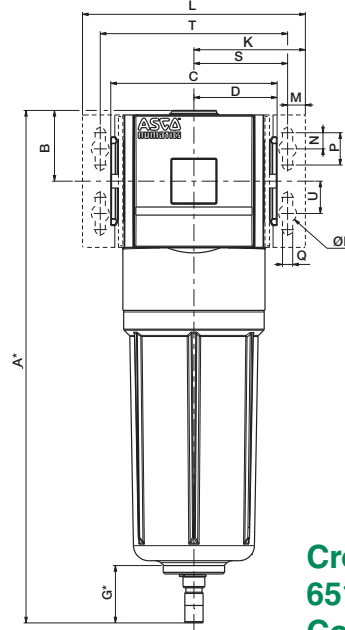
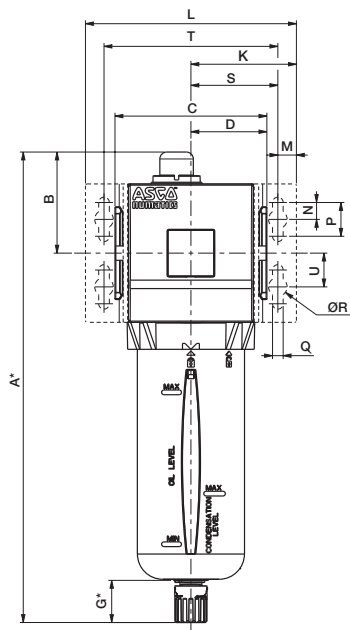
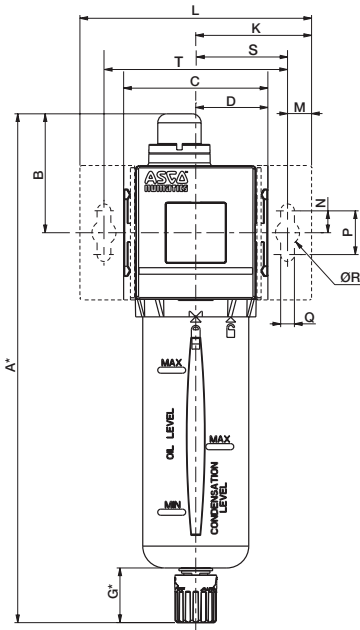
[Configurator - CAD Files](#)



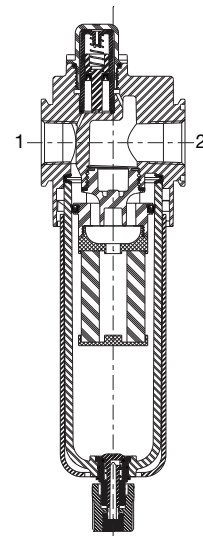
651/652 Series

653 Series

653 Series High Flow



Cross Section - 651/652/653 Series Coalescing Filter



To remove bowl allow:  
 651 - 60 mm  
 652 - 80 mm  
 653 - 105 mm  
 from the bottom  
 of the bowl drain.

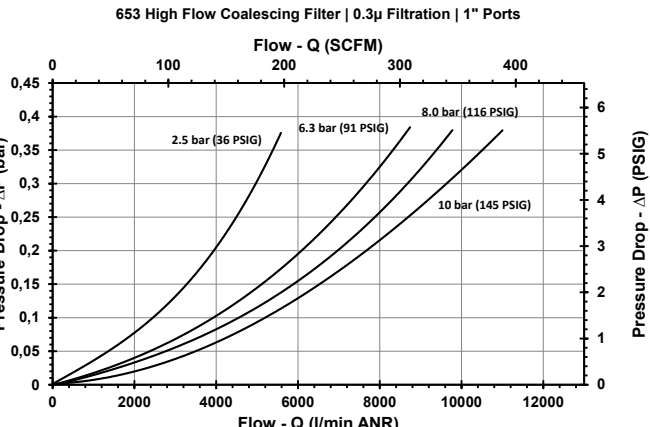
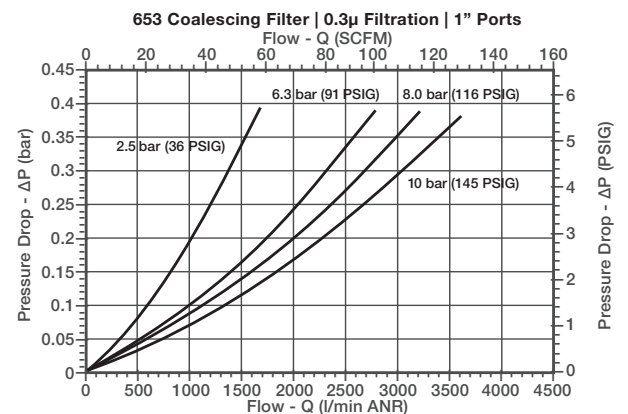
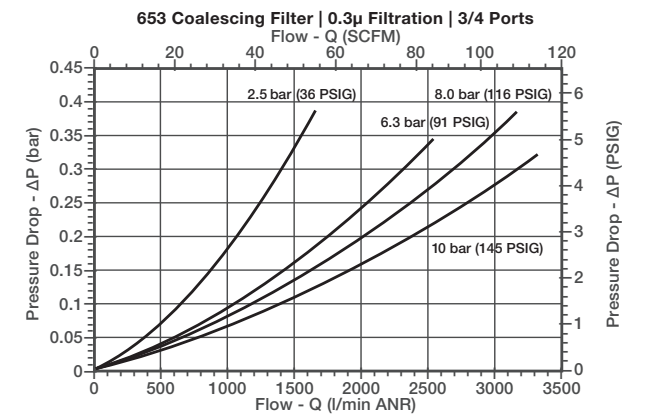
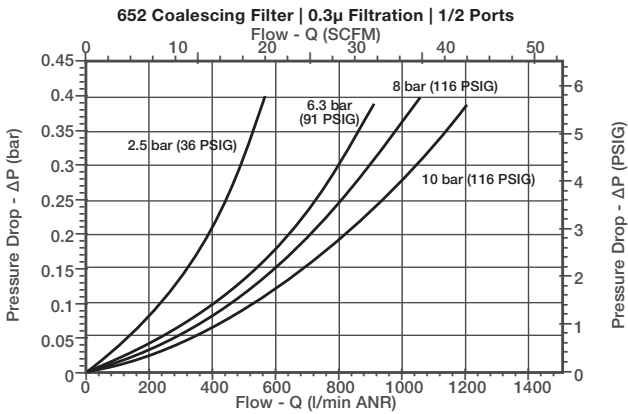
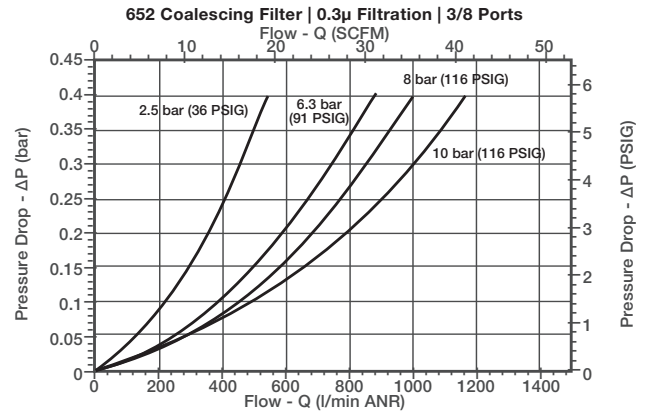
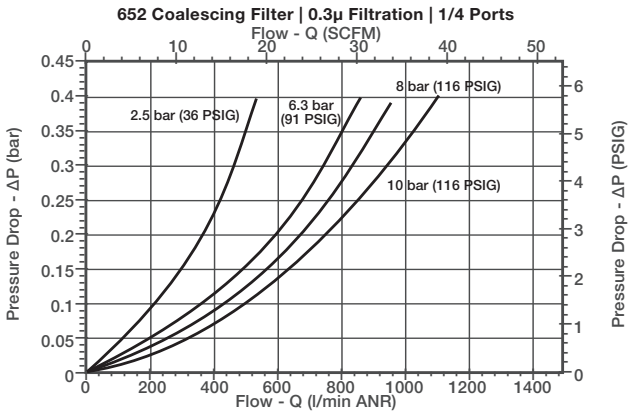
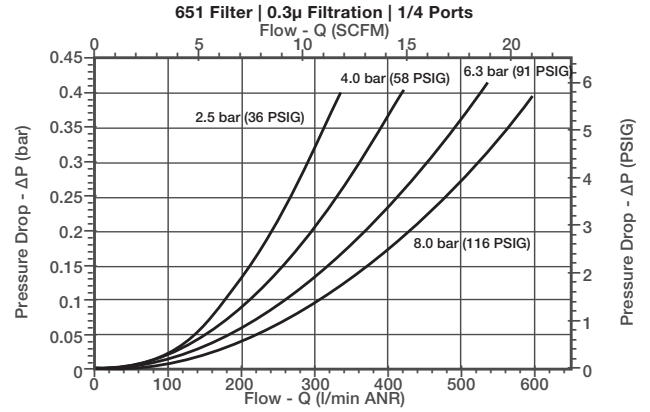
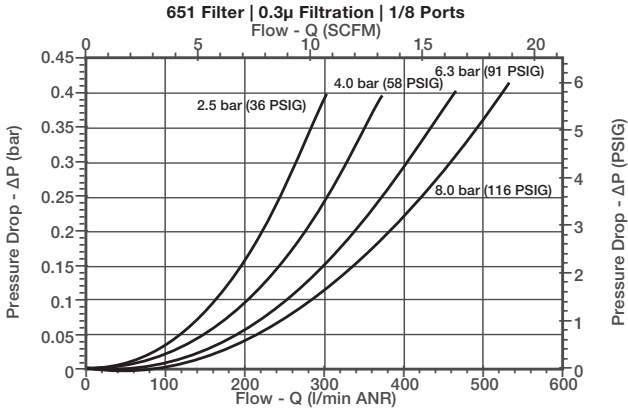
Series	A*	B	C	D	E	F	G*	H	J
651	213	50	50	25	58	29	25	44,5	1,27
652	233	54,4	66	33	69	34,5	25	50	1,9
653	276,8	59,9	90	45	93,2	46,6	25	62	3
653 High Flow	317,3	43,8	103	51,5	93,2	46,6	35,5	62	3

Series	K	L	M	N	P	Q	ØR	S	T	U
651	46	92	11	10	20	6,3	11	35	70	-
652	53	106	11	10	20	6,3	11	42	84	-
653	62,5	125	11	10	20	6,3	11	51,5	103	20
653 High Flow	69	138	11	10	20	6,3	11	58	116	20

\* Variable dimension based on type of drain that is specified. If an Automatic Drain is specified, add another 5 mm to "G" dimension, which also adds 5 mm to the "A" dimension.

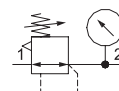


## Coalescing Filter Flow Charts



01802GB-2017/R02  
Availability, design and specifications are subject to change without notice. All rights reserved.

- High flow with a wide range of adjustable output pressure ranges
- Flows in excess of 11500 l/min
- Maintains constant downstream pressure even during fluctuations in upstream pressure
- Optional extended temperature range of -40°C to +80°C
- Optional low profile integrated gauge, round gauge, digital gauge or digital pressure switch
- Key lockable and tamper resistant options
- Threaded ports allow for individual or modular mounting



Performance Data				
Series	651	652	653	
Port sizes	1/8, 1/4	1/4, 3/8, 1/2	3/4, 1	
Thread type	G (NPTF in option)			
Nominal flow - ISO 6358  P1 = 10 bar Setpoint P2 = 6,3 bar ΔP = 1 bar	l/min (ANR)			
	1/8	800	-	-
	1/4	2060	4120	-
	3/8	-	6530	-
	1/2	-	7000	-
	3/4	-	-	10000
1	-	-	11500	
Maximum inlet pressure (bar) P1	16			20
Adjustable pressure ranges (bar) P2	0,2 to 3			
	0,5 to 10			
	-	-	0,5 to 16 *	
Hysteresis (bar)	0,3	0,2	0,4	
Ambient temperature range (°C)	-20 to +50			
Fluid temperature range (°C)	-20 to +50			
Fluid	air or inert gas			
Weight (kg)	0,215	0,431	1,102 / 1,293 *	

\* High pressure assisted version.

Materials in contact with fluid	
Body	Aluminium
Seals	NBR/FPM
Springs	Stainless steel
Poppet	Brass
Cover / Stem	PA (Polyamide)

## HOW TO ORDER

### Regulator

**G 651 A R 0 0 2 G A00 H 0**

[Configurator - CAD Files](#)

**Thread connection**

- G = ISO 228/1-G <sup>(1)</sup>
- 8 = NPTF

**Product series**

- 651
- 652
- 653

**Revision letter**

A

**Product type**

- K = Regulator "Quick Relief Option" (652 only)
- R = Regulator <sup>(2)</sup>
- W = Pilot Operated Regulator (652 only)

K/R      W

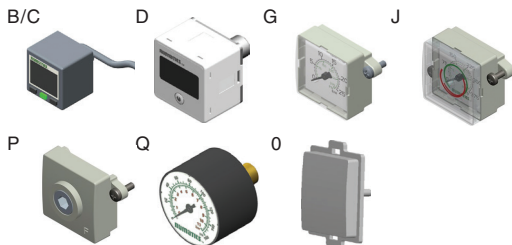


**Port size**

- 1 = 1/8 (651 Series)
- 2 = 1/4 (651 or 652 Series)
- 3 = 3/8 (652 Series)
- 4 = 1/2 (652 Series)
- 5 = 3/4 (653 Series)
- 6 = 1 (653 Series)

**Gauge type**

- B = Digital pressure switch - PNP
- C = Digital pressure switch - NPN
- D = Digital gauge
- G = Low profile integrated gauge bar/PSI
- J = Low profile integrated gauge bar/PSI with pressure range indicators
- Q = Round gauge bar/PSI
- 0 = No gauge port
- P = Port Plate Rc 1/8

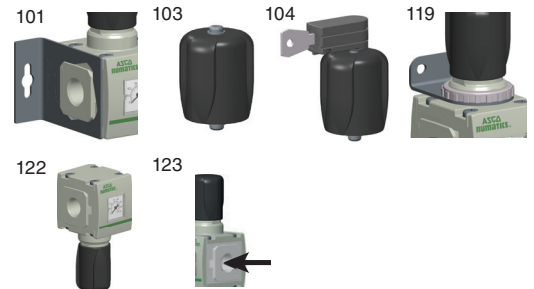


**Pressure range**

- D = 0,2..3 bar
- H = 0,5..10 bar
- N = 0,5..16 bar (653 only)

**Options <sup>(3)</sup>**

- A00 = Without option
- 101 = Side Mounting Brackets
- 102 = Panel Nut (651 or 652)
- 103 = Tamper resistant
- 104 = Key lockable
- 105 = High temperature (+80°C)
- 106 = Low temperature (-40°C) <sup>(4)</sup>
- 109 = FPM seals
- 113 = Stainless steel fasteners
- 114 = Provision for key lock
- 117 = ATEX zones 1-21
- 119 = Panel Bracket with Panel Nut (651 or 652)
- 121 = Non-relieving
- 122 = Bottom oriented pressure adjustment
- 123 = Gauge type mounted for right-to-left flow
- 124 = CUTR Certification (EAC)
- 125 = CUTR Ex
- 202 = 105 + 109
- 2A9 = 105 + 106



01803GB-2017/R02 Availability, design and specifications are subject to change without notice. All rights reserved.

<sup>(1)</sup> Conforms to ISO standards 1179-1.

<sup>(2)</sup> Relieving standard; use option 121 for non-relieving

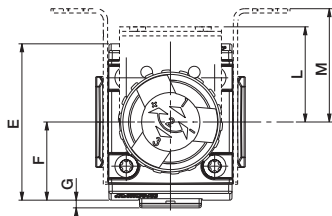
<sup>(3)</sup> [If multiple options are required, please use the on-line CAD configurator on the website to generate the part number \(www.asco.com\).](#)

<sup>(4)</sup> Compressed air must be dry enough so no ice formation is present on the product.

**Dimensions: mm**

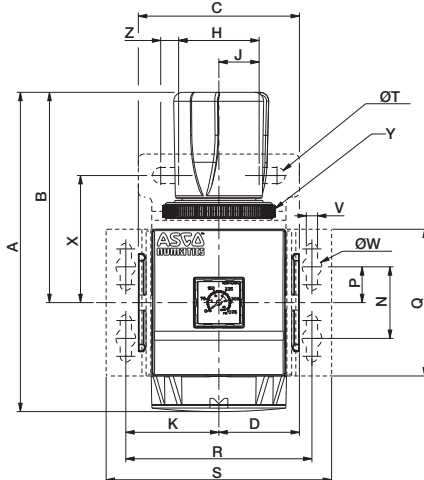
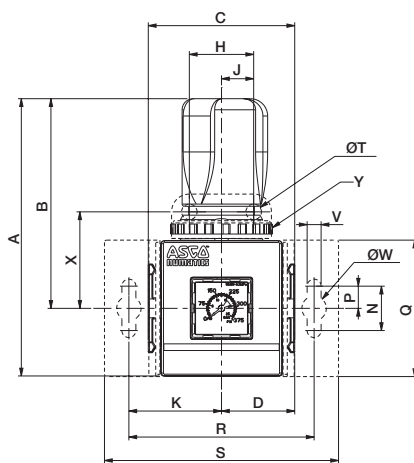
**Dimensional Drawing - 651/652/653 Series Regulator**

[Configurator - CAD Files](#)

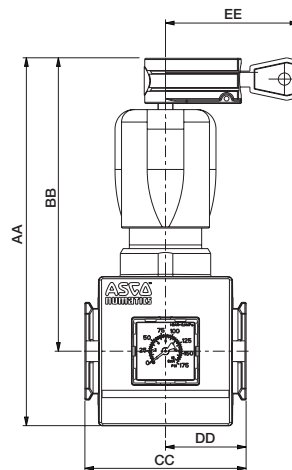


**651/652 Series**

**653 Series**

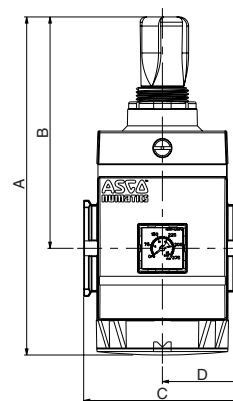


**651/652/653 Series**



Series	AA	BB	CC	DD	EE
651	121,5	96	50	25	54,6
652	151	120	66	33	55
653	192	137	90	45	55

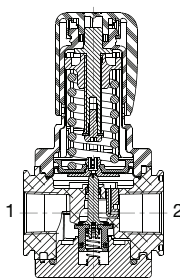
**653 Series High Pressure Regulator (16 bar)**



Series	A	B	C	D	E	F	G	H	J	K	L	M
651	103	77,5	50	25	58	29	3,4	29	14,5	35	42	44,5
652	125	94,5	66	33	69	34,5	2,5	29	14,5	41,75	42	50
653	178,4	117,5	90	45	93	46,5	3	45	22,5	52	60	62

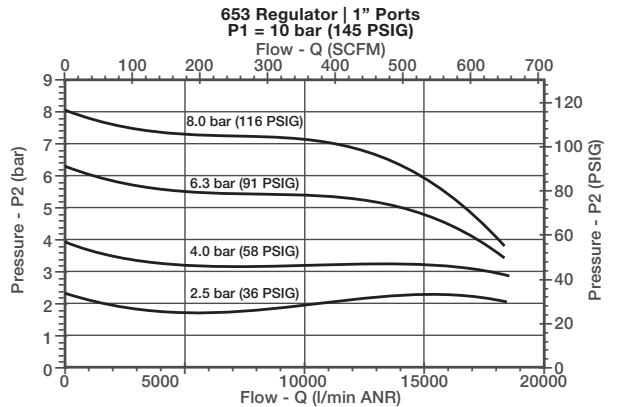
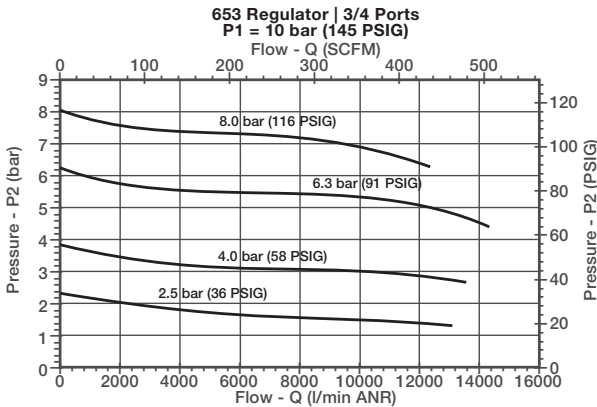
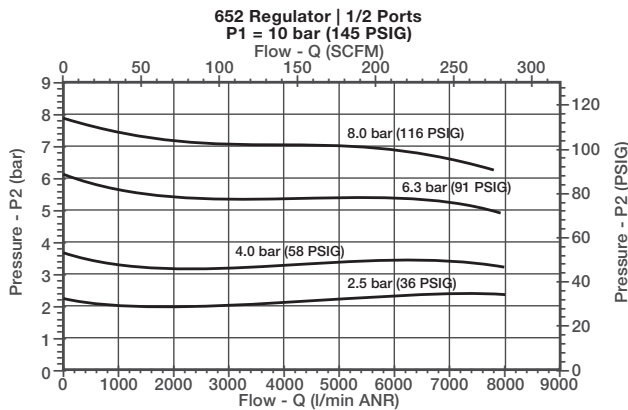
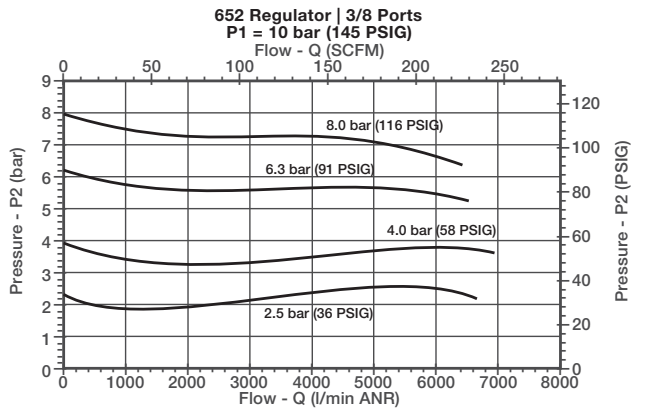
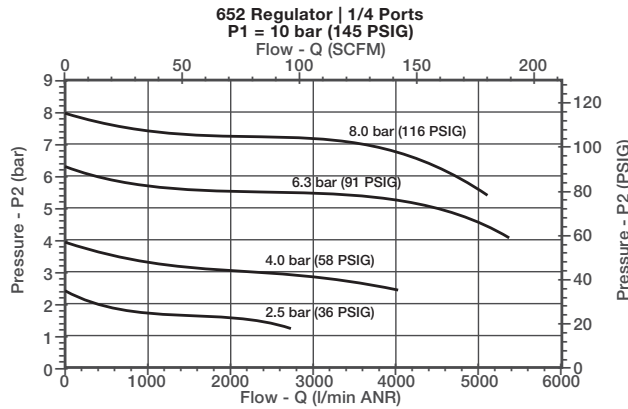
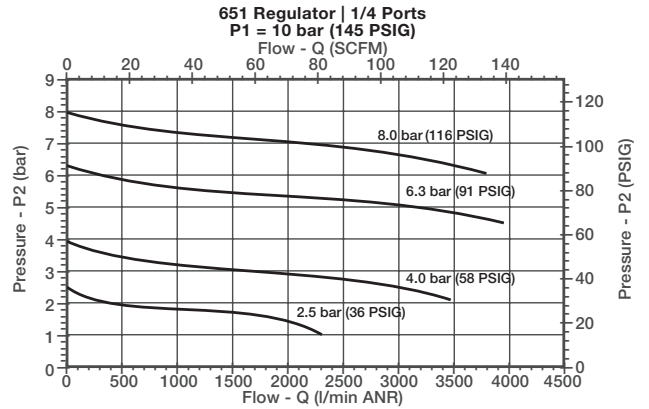
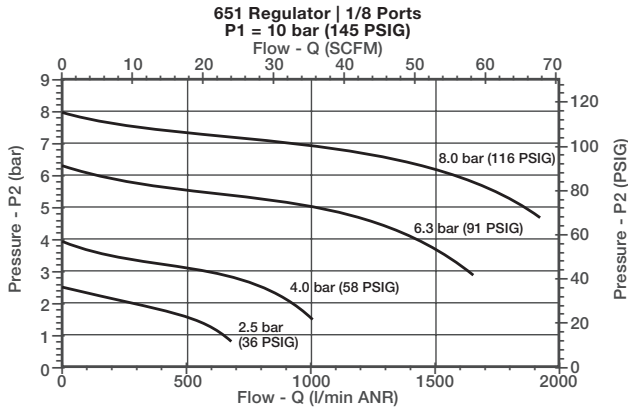
Series	N	P	Q	R	S	ØT	V	ØW	X	Y	Y
651	20	10	50	70	92	7	6,3	11	39,1	M30 x 2	-
652	20	10	61,5	83,5	105,5	7	6,3	11	43,5	M37 x 2	-
653	40	20	82	104	126	9	6,3	11	71	M51 x 2	10

**Cross Section - 651/652/653 Series Regulator**



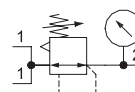
Series	A	B	C	D	E	F	G
653 High Pressure	193	132	90	45	93	46,5	3

## Regulator Flow Charts



01803GB-2017/R02  
 Availability, design and specifications are subject to change without notice. All rights reserved.

- High flow with a wide range of adjustable output pressure ranges
- Flows in excess of 8000 l/min
- Allows for a common inlet supply pressure within the regulator manifold, while maintaining several adjustable output pressures
- Optional low profile integrated gauge, round gauge, digital gauge or digital pressure switch
- Optional extended temperature range of -40°C to +80°C
- Key lockable and tamperproof options



Performance Data			
		651	652
Port sizes	P1 (Inlet)	1/4	1/2
	P2 (Outlet)	1/8	3/8
Thread type		G (NPTF in option)	
Nominal flow - ISO 6358 P1 = 10 bar Setpoint P2 = 6,3 bar $\Delta P = 1$ bar		l/min (ANR)	
		840	8000
Maximum inlet pressure (bar) P1		16	
Adjustable pressure ranges (bar) P2		0,2 to 3	
		0,5 to 10	
Hysteresis (bar)		0,3	0,5
Ambient temperature range (°C)		-20 to +50	
Fluid temperature range (°C)		-20 to +50	
Fluid		air or inert gas	
Weight (kg)		0,215	0,422

Materials in contact with fluid	
Body	Aluminium
Seals	NBR/FPM
Springs	Stainless steel

## HOW TO ORDER

### Manifold Regulator

**G 651 A M 0 0 2 G A00 H 0**

[Configurator - CAD Files](#)

**Thread connection**

- G = ISO 228/1-G <sup>(1)</sup>
- 8 = NPTF

**Product series**

- 651
- 652

**Revision letter**

- A

**Product type**

- M = Manifold Regulator <sup>(2)</sup>

M

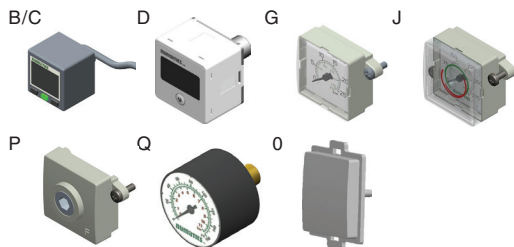


**Port size**

- 2 = 1/4 Inlet (1/8 Outlet) (651 Series)
- 4 = 1/2 Inlet (3/8 Outlet) (652 Series)

**Gauge type**

- B = Digital pressure switch - PNP
- C = Digital pressure switch - NPN
- D = Digital gauge
- G = Low profile integrated gauge bar/PSI
- J = Low profile integrated gauge bar/PSI with pressure range indicators
- Q = Round gauge bar/PSI
- 0 = No gauge port
- P = Port Plate Rc 1/8

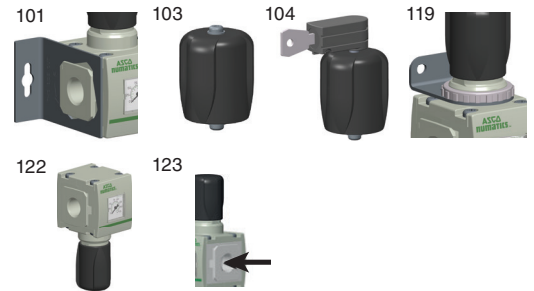


**Pressure range**

- D = 0,2..3 bar
- H = 0,5..10 bar

**Options <sup>(3)</sup>**

- A00 = Without option
- 101 = Side Mounting Brackets
- 102 = Panel Nut (651 or 652)
- 103 = Tamper resistant
- 104 = Key lockable
- 105 = High temperature (+80°C)
- 106 = Low temperature (-40°C) <sup>(4)</sup>
- 109 = FPM seals
- 113 = Stainless steel fasteners
- 114 = Provision for key lock
- 117 = ATEX zones 1-21
- 119 = Panel Bracket with Panel Nut (651 or 652)
- 121 = Non-relieving
- 122 = Bottom oriented pressure adjustment
- 123 = Gauge type mounted for right-to-left flow
- 124 = CUTR Certification (EAC)
- 125 = CUTR Ex
- 202 = 105 + 109
- 2A9 = 105 + 106



01804GB-2017/R02 Availability, design and specifications are subject to change without notice. All rights reserved.

<sup>(1)</sup> Conforms to ISO standards 1179-1.

<sup>(2)</sup> Relieving standard; use option 121 for non-relieving

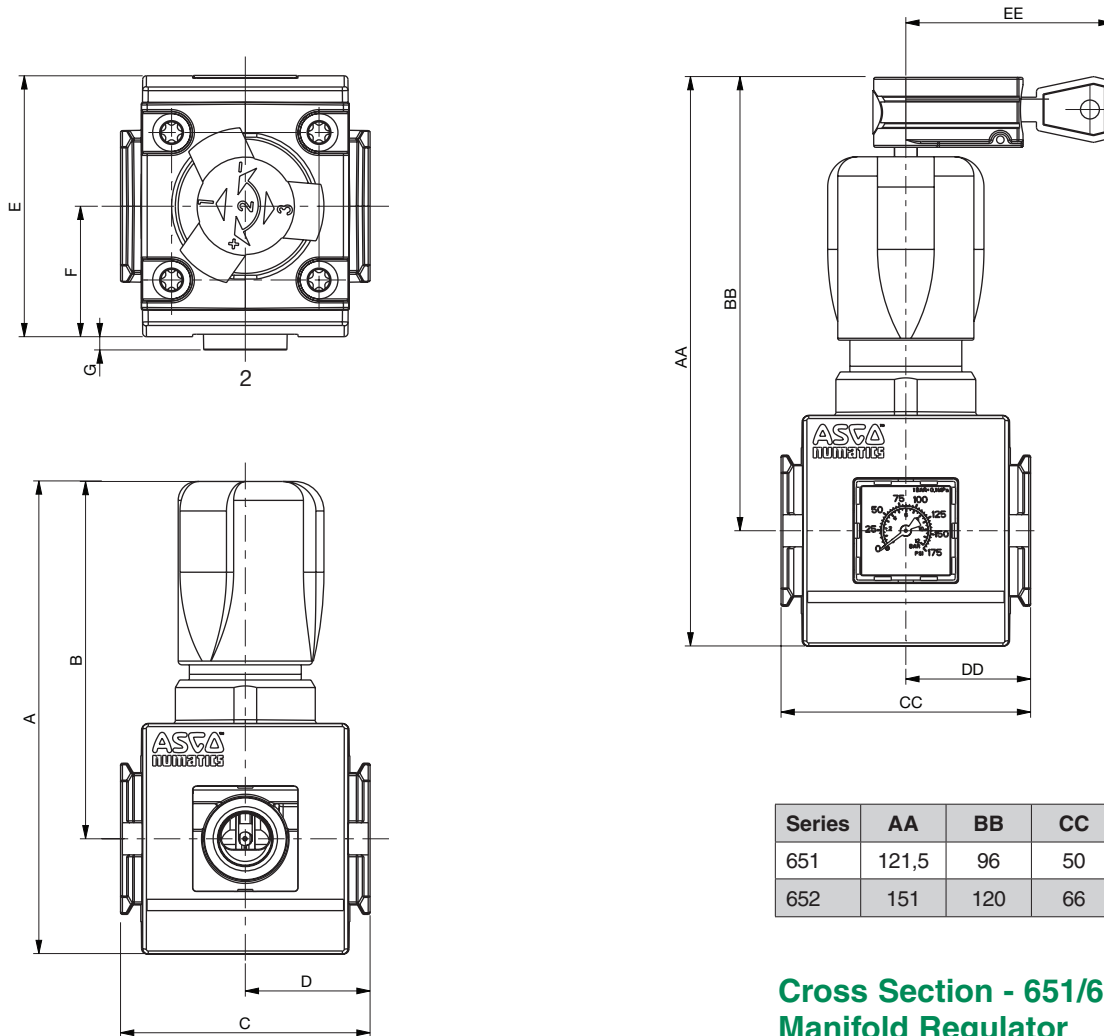
<sup>(3)</sup> [If multiple options are required, please use the on-line CAD configurator on the website to generate the part number \(www.asco.com\).](#)

<sup>(4)</sup> Compressed air must be dry enough so no ice formation is present on the product.

**Dimensions: mm**

**Dimensional Drawing - 651/652 Series Manifold Regulator**

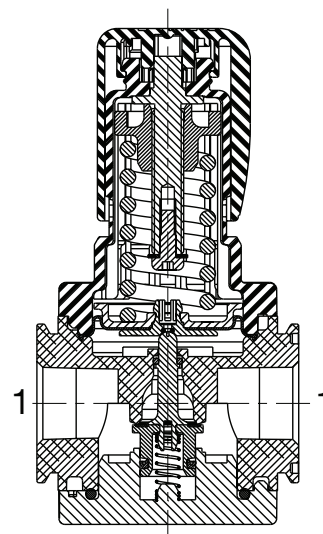
[Configurator - CAD Files](#)



Series	AA	BB	CC	DD	EE
651	121,5	96	50	25	54,6
652	151	120	66	33	55

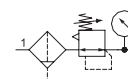
Series	A	B	C	D	E	F	G
651	103	77,5	50	25	58	29	0,3
652	125	94,5	66	33	69	34,5	3,5

**Cross Section - 651/652 Series Manifold Regulator**





- High flow with a wide range of adjustable output pressure ranges
- Optional low profile integrated gauge, round gauge, digital gauge or digital pressure switch
- Optional extended temperature range of -40°C to +80°C
- Threaded ports allow for individual or modular mounting
- Sintered polyethylene elements include 5 and 25 Microns
- Innovative two position plastic drain with manual and semi-automatic functions. Additional drains include an automatic style (brass) and manual (stainless steel)
- Polycarbonate and Aluminium bowls with or without glass gauge, to meet industry all application requirements
- Key lockable and tamper resistant models
- Air Purity Class according to ISO 8573-1: 2010



Performance Data						
Series		651	652	653		
Port sizes		1/8, 1/4	1/4, 3/8, 1/2	3/4, 1		
Thread type		G (NPTF in option)				
Nominal flow - ISO 6358  P1 = 10 bar Setpoint P2 = 6,3 bar ΔP = 1 bar	1/8	Micron Rating	l/min (ANR)	l/min (ANR)		
		5 μm	710	-	-	
	1/4	25 μm	730	-	-	
		5 μm	2240	3800	-	
	3/8	25 μm	2360	4120	-	
		5 μm	-	4450	-	
	1/2	25 μm	-	5420	-	
		5 μm	-	4490	-	
	3/4	25 μm	-	5500	-	
		5 μm	-	-	8900	
	1	25 μm	-	-	9000	
		5 μm	-	-	10000	
	Maximum inlet pressure (bar)		Polycarbonate bowl	16		12
			Aluminium bowl	16		20
Adjustable pressure ranges (bar)		0,2 to 3				
		0,5 to 10				
		-	-	0,5 to 16 *		
Hysteresis (bar)		0,3	0,5	0,4		
Ambient temperature range (°C)		-20 to +50				
Fluid temperature range (°C)		-20 to +50				
Fluid		air or inert gas				
Weight (kg)		w/Polycarbonate bowl	0,304	0,546	1,315	
		w/Aluminium bowl	0,449	0,688	1,565/1,769 *	

\* High pressure assisted version.

Materials in contact with fluid	
Body	Aluminium
Seals	NBR/FPM
Springs	Stainless steel
Filter element	Sintered polyethylene
Bowl	Polycarbonate or aluminium
Poppet	Brass
Cover / Stem	PA (Polyamide)

Air Purity Class - ISO 8573-1: 2010	
5 μm	(5:8:4)
25 μm	(6:8:4)

## HOW TO ORDER

### Particulate Filter/Regulator

[Configurator - CAD Files](#)

**G 651 A P B P 2 G A00 H N**

**Thread connection**  
G = ISO 228/1-G <sup>(1)</sup>  
8 = NPTF

**Product series**  
651  
652  
653

**Revision letter**  
A

**Product type**  
P = Filter/Regulator - Particulate

**Elements**  
B = 5 µm (White)  
J = 25 µm (Yellow)

**Bowl type**  
K = Metal bowl without sight gauge  
L = Metal bowl with sight gauge (glass)  
P = Polycarbonate bowl with bowl guard

**Port size**  
1 = 1/8 (651 Series)  
2 = 1/4 (651 or 652 Series)  
3 = 3/8 (652 Series)  
4 = 1/2 (652 Series)  
5 = 3/4 (653 Series)  
6 = 1 (653 Series)

**Gauge type**  
B = Digital pressure switch - PNP  
C = Digital pressure switch - NPN  
D = Digital gauge  
G = Low profile integrated gauge bar/PSI  
J = Low profile integrated gauge bar/PSI with pressure range indicators  
Q = Round gauge bar/PSI  
0 = No gauge port  
P = Port Plate Rc 1/8

**Drain type**  
0 = Without  
A = Auto drain normally open  
N = Manual/Semi-automatic drain  
Q = Manual drain - Stainless steel

**Pressure range**  
D = 0,2..3 bar  
H = 0,5..10 bar  
N = 0,5..16 bar (653 only) <sup>(2)</sup>

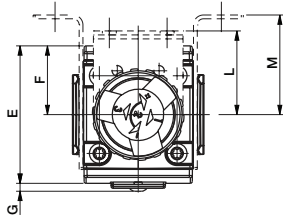
**Options <sup>(3)</sup>**  
A00 = Without option  
101 = Side Mounting Brackets  
102 = Panel Nut (651 or 652)  
103 = Tamper resistant  
104 = Key lockable  
105 = High temperature (+80°C)  
106 = Low temperature (-40°C) <sup>(4)</sup>  
109 = FPM seals  
113 = Stainless steel fasteners  
114 = Provision for key lock  
117 = ATEX zones 1-21   
119 = Panel Bracket with Panel Nut (651 or 652)  
121 = Non-relieving  
123 = Gauge type mounted for right-to-left flow  
124 = CUTR Certification (EAC)  
125 = CUTR Ex  
202 = 105 + 109  
2A9 = 105 + 106

<sup>(1)</sup> Conforms to ISO standards 1179-1.  
<sup>(2)</sup> Metal Bowl Types K or L only.  
<sup>(3)</sup> If multiple options are required, please use the on-line CAD configurator on the website to generate the part number ([www.asco.com](http://www.asco.com)).  
<sup>(4)</sup> Compressed air must be dry enough so no ice formation is present on the product. All bowls should be emptied prior to ambient temperatures dropping below 0°C.

Dimensions: mm

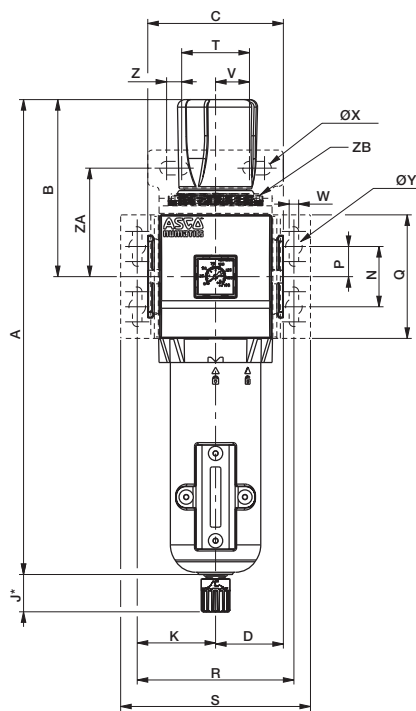
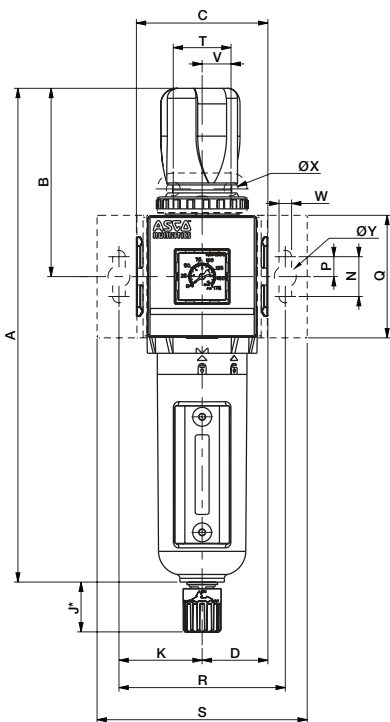
Dimensional Drawing - 651/652/653 Series Particulate Filter/Regulator

[Configurator - CAD Files](#)

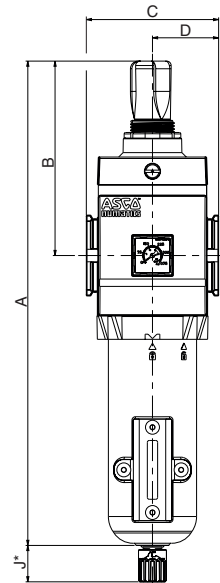


651/652 Series

653 Series



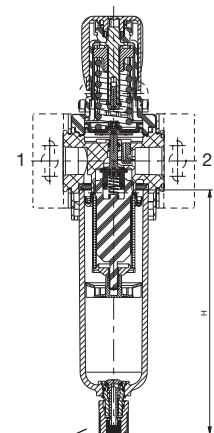
653 Series High Pressure  
(16 bar)



Series	A	B	C	D	E
653	329,5	132	90	45	93,6

Series	F	G	H	J*
653	46,2	2,7	158,9	25

Cross Section -  
651/652/653 Series  
Particulate Filter/Regulator



To remove bowl allow:  
651 - 44 mm  
652 - 75 mm  
653 - 100 mm  
from the bottom  
of the bowl drain.

Series	A	B	C	D	E	F	G	H	J	K	L	M
651	215,5	77,5	50	25	58	29	3,4	116	25	35	42	44,5
652	248	94,5	66	33	69	30,5	4	160	25	41,75	42	50
653												

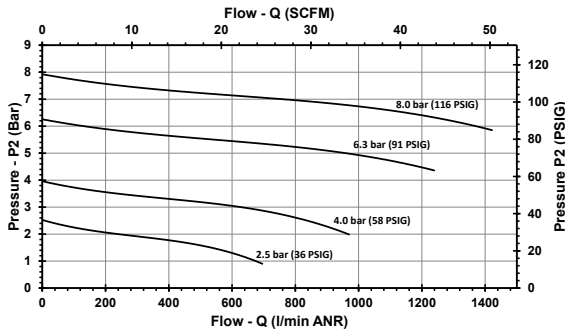
Series	M	N	P	Q	R	S	T	V	W	ØX	ØY
651	44,5	20	10	50	70	92	29	14,5	6,3	7	11
652	50	20	10	61,5	84	105,5	29	14,5	6,3	7	11

\* Variable dimension based on type of drain that is specified. If an Automatic Drain is specified, add another 5 mm to "J" dimension.

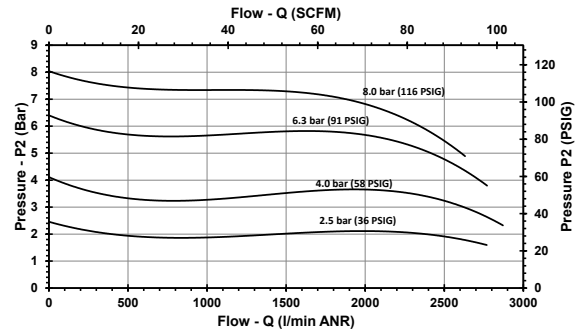
01805GB-2017/R02  
Availability, design and specifications are subject to change without notice. All rights reserved.

## Particulate Filter/Regulator Flow Charts

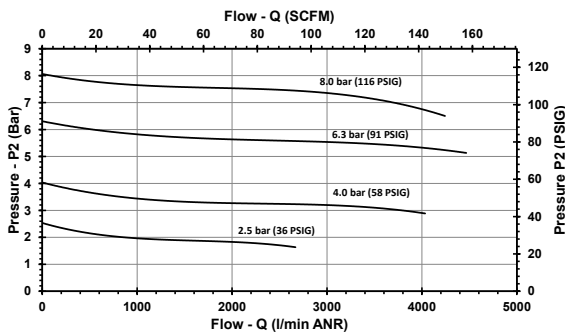
651 Filter-Regulator | 25µ Filtration | 1/8 Ports  
P1 = 10 Bar (145 PSIG)



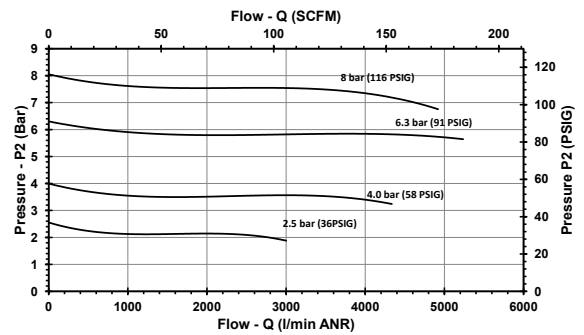
651 Filter-Regulator | 25µ Filtration | 1/4 Ports  
P1 = 10 Bar (145 PSIG)



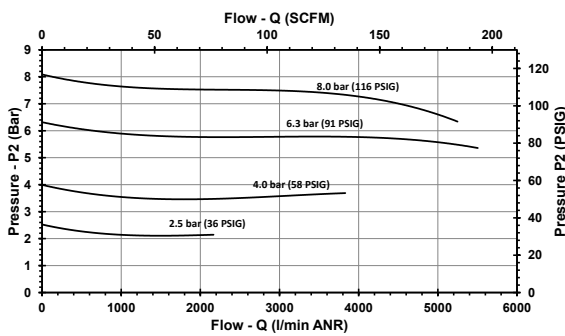
652 Filter-Regulator | 25µ Filtration | 1/4 Ports  
P1 = 10 Bar (145 PSIG)



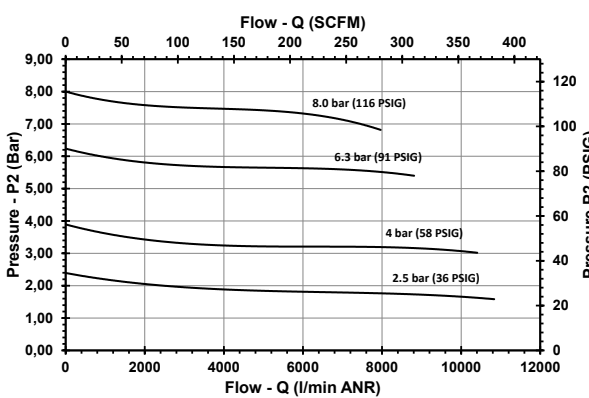
652 Filter-Regulator | 25µ Filtration | 3/8 Ports  
P1 = 10 Bar (145 PSIG)



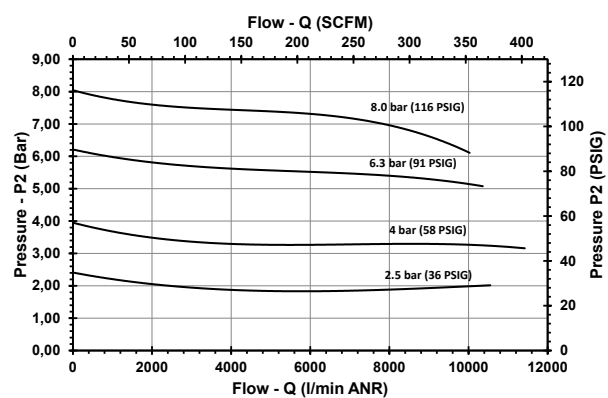
652 Filter-Regulator | 25µ Filtration | 1/2 Ports  
P1 = 10 Bar (145 PSIG)



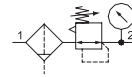
653 Filter-Regulator | 25µ Filtration | 3/4 Ports  
P1 = 10 Bar (145 PSIG)



653 Filter-Regulator | 25µ Filtration | 1" Ports  
P1 = 10 Bar (145 PSIG)



- Extensive range of coalescing filter elements to remove oil and sub-micron particles down to 0,01 microns
- Optional 3 micron pre-filter integrated in the coalescing element eliminates the need for a separate particulate element. Coalescing filter elements include 0,3 and 0,01 microns
- Optional low profile integrated gauge, round gauge, digital gauge or digital pressure switch
- Optional extended temperature range of +80°C
- Threaded ports allow for individual or modular mounting
- Innovative two position plastic drain with manual and semi-automatic functions. Additional drains include an automatic style (brass) and manual (stainless steel)
- Polycarbonate and Aluminium bowls with or without glass gauge, to meet industry all application requirements



Performance Data					
Series		651	652	653	
Port sizes		1/8, 1/4	1/4, 3/8, 1/2	3/4, 1	
Thread type		G (NPTF in option)			
Nominal flow - ISO 6358 P1 = 10 bar Setpoint P2 = 6,3 bar ΔP = 0,35 bar	1/8	Micron Rating	l/min (ANR)	l/min (ANR)	
		0,3 μm	240	-	-
	1/4	0,01 μm	170	-	-
		0,3 μm	290	320	-
	3/8	0,01 μm	200	290	-
		0,3 μm	-	580	-
	1/2	0,01 μm	-	540	-
		0,3 μm	-	590	-
	3/4	0,01 μm	-	540	-
		0,3 μm	-	-	750
	1	0,01 μm	-	-	600
		0,3 μm	-	-	750
Maximum inlet pressure (bar) P1	Polycarbonate bowl	16		12	
	Aluminium bowl	16		20	
Adjustable pressure ranges (bar)	0,2 to 3				
	0,5 to 10				
	-	-	0,5 to 16 *		
Hysteresis (bar)	0,3	0,5	0,4		
Ambient temperature range (°C)	+1,7 to +50				
Fluid temperature range (°C)	+1,7 to +50				
Fluid	air or inert gas				
Weight (kg)	w/Polycarbonate bowl	0,308	0,564	1,315	
	w/Aluminium bowl	0,453	0,705	1,588/1,792 *	

\* High pressure assisted version.

Materials in contact with fluid	
Body	Aluminium
Seals	NBR/FPM
Springs	Stainless steel
Filter element	Borosilicate Microfiber & Polyester
Filter element end cap	Polypropylene
Bowl	Polycarbonate or aluminium
Poppet	Brass

Air Purity Class - ISO 8573-1: 2010*	
0,3 μm	(3:7:3)
0,01 μm	(2:7:2)

\* 651 Series maximum flow at 6,3 bar inlet pressure to maintain air purity class is 100 l/min.

\* 652 Series maximum flow at 6,3 bar inlet pressure to maintain air purity class is 300 l/min.

\* 653 Series maximum flow at 6,3 bar inlet pressure to maintain air purity class is 700 l/min.

## HOW TO ORDER

### Coalescing Filter/Regulator

**G 651 A C D P 2 G A00 H N**

[Configurator - CAD Files](#)

**Thread connection**

- G = ISO 228/1-G <sup>(1)</sup>
- 8 = NPTF

**Product series**

- 651
- 652
- 653

**Revision letter**

A

**Product type**

- C = Filter/Regulator - Coalescing

**Elements**

- D = 0,3 micron - Coalescer (Green)
- E = 0,01 micron - Coalescer (Red)
- M = 0,3 micron coalescer with 3 micron prefilter (Green)
- N = 0,01 micron coalescer with 3 micron prefilter (Red)



**Bowl type**

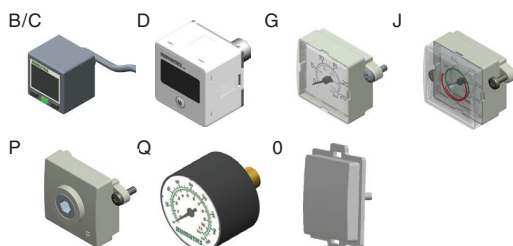
- K = Metal bowl without sight gauge
- L = Metal bowl with sight gauge (glass)
- P = Polycarbonate bowl with bowl guard

**Port size**

- 1 = 1/8 (651 Series)
- 2 = 1/4 (651 or 652 Series)
- 3 = 3/8 (652 Series)
- 4 = 1/2 (652 Series)
- 5 = 3/4 (653 Series)
- 6 = 1 (653 Series)

**Gauge type**

- B = Digital pressure switch - PNP
- C = Digital pressure switch - NPN
- D = Digital gauge
- G = Low profile integrated gauge bar/PSI
- J = Low profile integrated gauge bar/PSI with pressure range indicators
- Q = Round gauge bar/PSI
- 0 = No gauge port
- P = Port Plate Rc 1/8



**Drain type**

- 0 = Without
- A = Auto drain normally open
- N = Manual/Semi-automatic drain
- Q = Manual drain - Stainless steel

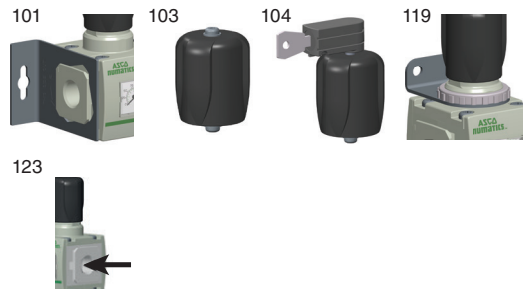


**Pressure range**

- D = 0,2..3 bar
- H = 0,5..10 bar
- N = 0,5..16 bar (653 only) <sup>(2)</sup>

**Options <sup>(3)</sup>**

- A00 = Without option
- 101 = Side Mounting Brackets
- 102 = Panel Nut (651 or 652)
- 103 = Tamper resistant
- 104 = Key lockable
- 105 = High temperature (+80°C)
- 109 = FPM seals
- 113 = Stainless steel fasteners
- 114 = Provision for key lock
- 117 = ATEX zones 1-21
- 119 = Panel Bracket with Panel Nut (651 or 652)
- 121 = Non-relieving
- 123 = Gauge type mounted for right-to-left flow
- 124 = CUTR Certification (EAC)
- 125 = CUTR Ex
- 202 = 105 + 109



<sup>(1)</sup> Conforms to ISO standards 1179-1.

<sup>(2)</sup> Metal Bowl Types K or L only.

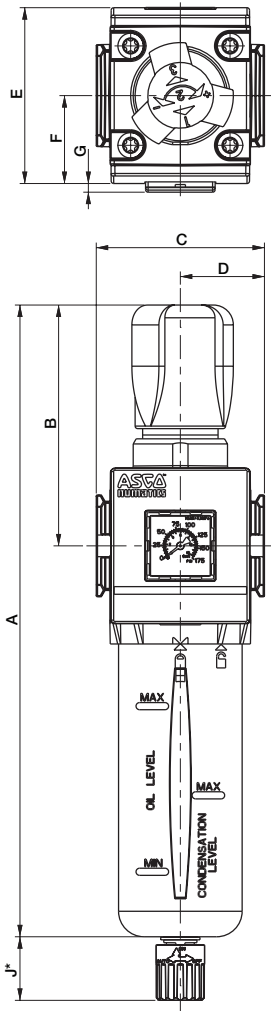
<sup>(3)</sup> If multiple options are required, please use the on-line CAD configurator on the website to generate the part number ([www.asco.com](http://www.asco.com)).

Dimensions: mm

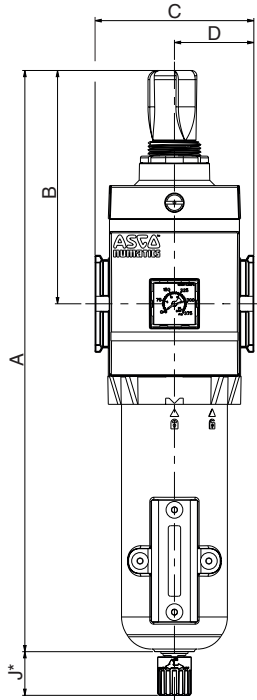
Dimensional Drawing - 651/652/653 Series Coalescing Filter/Regulator

[Configurator - CAD Files](#)

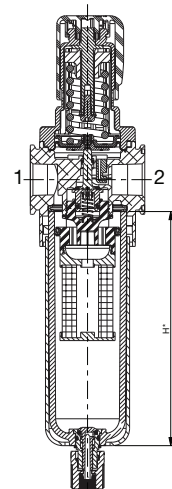
651/652/653 Series



653 Series High Pressure  
(16 bar)



Cross Section -  
651/652/653 Series  
Coalescing  
Filter/Regulator



To remove bowl allow:  
651 - 60 mm  
652 - 80 mm  
653 - 105 mm  
from the bottom  
of the bowl drain.

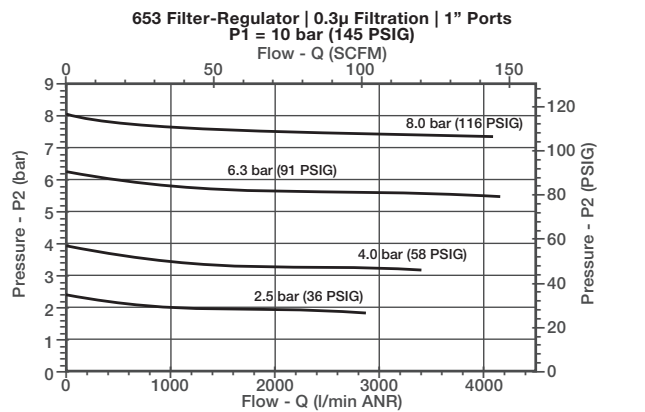
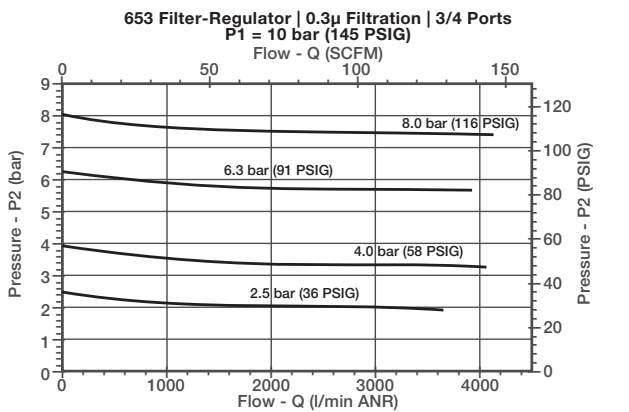
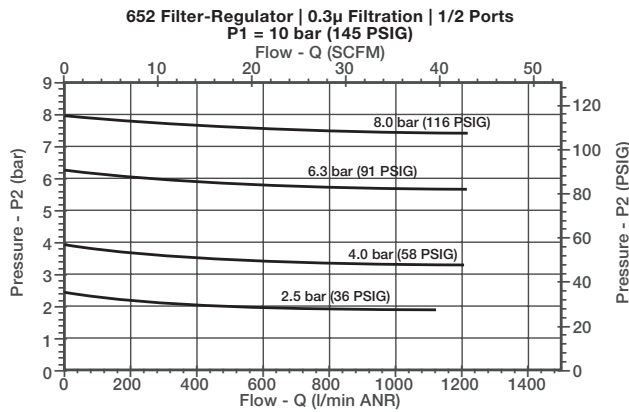
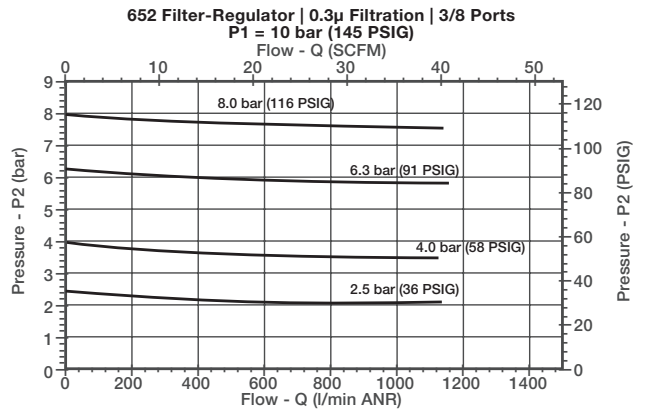
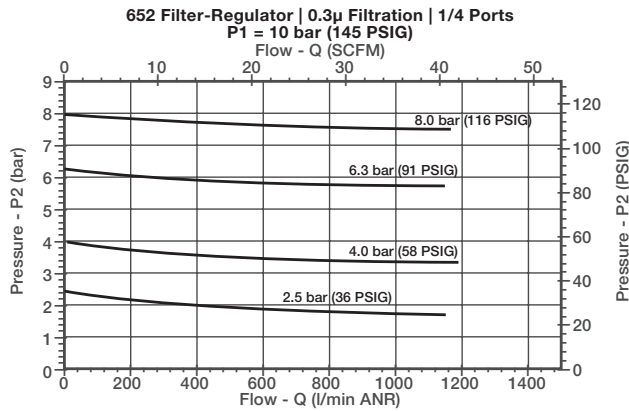
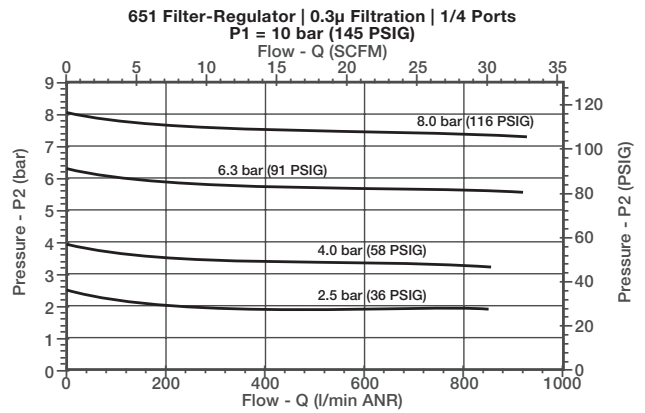
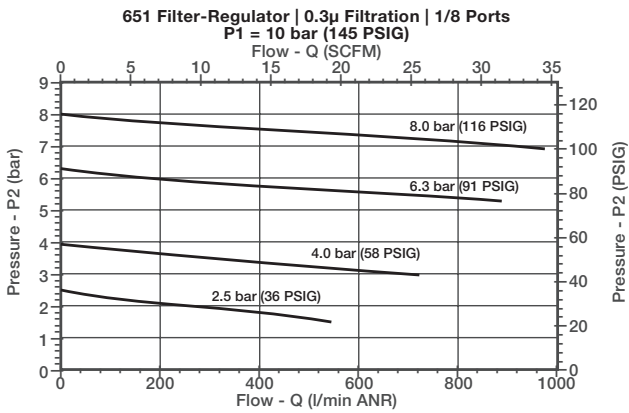
Series	A	B	C	D	E	F	G	H	J*
653 (High Pressure)	329,5	132	90	45	93,6	46,2	2,7	158,9	25

Series	A	B	C	D	E	F	G	H	J
651	215,5	77,5	50	25	58	29	3,4	116	25
652	248	94,5	66	33	69	30,5	2,5	135	25
653	311,8	117,5	90	45	93,6	46,8	2,7	155,4	25

\* Variable dimension based on type of drain that is specified. If an Automatic Drain is specified, add another 5 mm to "J" dimension.

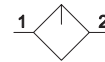


## Coalescing Filter/Regulator Flow Charts





- Provides consistent reliable lubrication to the system
- Uses venturi type technology to distribute the lubrication into the compressed air line
- Low flow is required to start lubrication
- Optional electronic liquid level indicator provides condition monitoring
- Allows fill while under pressure from fill port or bowl by removing the fill plug
- Recommended oil type: Non-detergent type and without aggressive additives (VG32 - ISO 3448)



Performance Data				
Series		651	652	653
Port sizes		1/8, 1/4	1/4, 3/8, 1/2	3/4, 1
Thread type		G (NPTF in option)		
Nominal flow - ISO 6358 P1 = 6,3 bar ΔP = 0,8 bar	l/min (ANR)			
	1/8	900	-	-
	1/4	1940	2780	-
	3/8	-	5000	-
	1/2	-	5100	-
	3/4	-	-	13000
Maximum pressure (bar)	Polycarbonate bowl	10		
	Aluminium bowl	10		16
Minimum flow for lubrication - (l/min)		4,5	20	240
Ambient temperature range (°C)		+5 to +50		
Fluid temperature range (°C)		+5 to +50		
Fluid		air or inert gas		
Bowl Capacity (cm <sup>3</sup> )		42	72	200
Fill Level Volume (ml)		45	90	200
Weight (kg)	w/Polycarbonate bowl	0,240	0,526	0,930
	w/Aluminium bowl	0,334	0,667	1,157

Materials in contact with fluid	
Body	Aluminium
Seals	NBR/FPM
Dome cover	Polycarbonate
Adjusting screw	Brass
Bowl	Polycarbonate or aluminium

 01807GB-2018/R01  
 Availability, design and specifications are subject to change without notice. All rights reserved.

## HOW TO ORDER

### Lubricator

**G 651 A L 0 P 2 0 A00 0 0**

[Configurator - CAD Files](#)

#### Thread connection

G = ISO 228/1-G <sup>(1)</sup>  
8 = NPTF

#### Product series

651  
652  
653

#### Revision letter

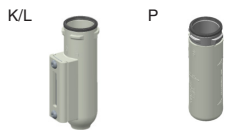
A

#### Product type

L = Lubricator

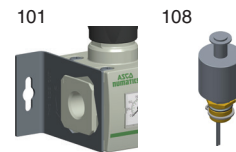
#### Bowl Type

K = Metal Bowl without Sight Gauge  
L = Metal bowl with sight gauge (glass)  
P = Polycarbonate bowl with bowl guard



#### Options <sup>(2)</sup>

A00 = Without option  
101 = Side Mounting Brackets  
108 = Liquid Level Indicator - Electronic  
109 = FPM seals  
117 = ATEX zones 1-21 <sup>(Ex)</sup>  
124 = CUTR Certification (EAC)  
125 = CUTR Ex



#### Port size

1 = 1/8 (651 Series)  
2 = 1/4 (651 or 652 Series)  
3 = 3/8 (652 Series)  
4 = 1/2 (652 Series)  
5 = 3/4 (653 Series)  
6 = 1 (653 Series)

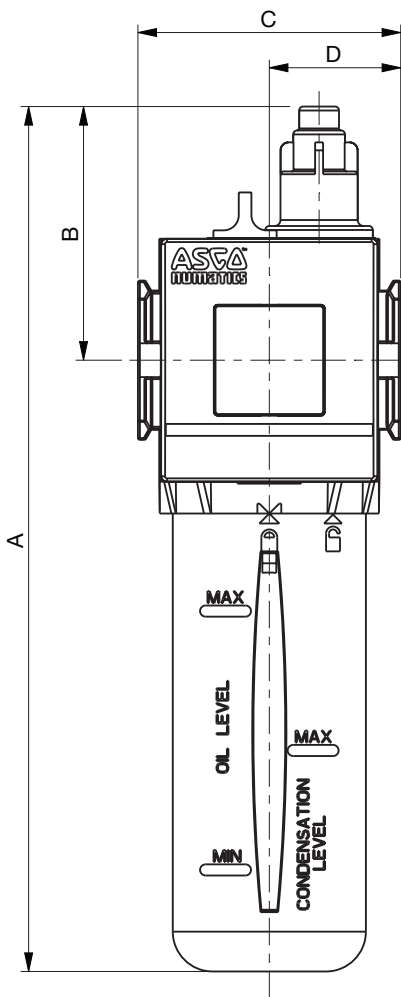
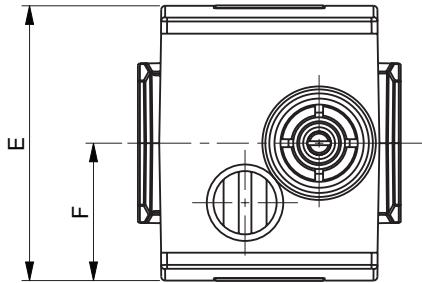
<sup>(1)</sup> Conforms to ISO standards 1179-1.

<sup>(2)</sup> If multiple options are required, please use the on-line CAD configurator on the website to generate the part number ([www.asco.com](http://www.asco.com)).

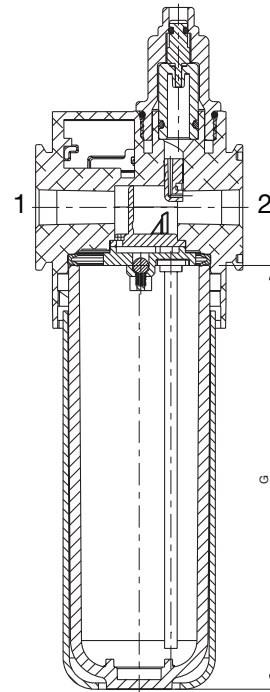
Dimensions: mm

Dimensional Drawing - 651/652/653 Series Lubricator

[Configurator - CAD Files](#)



Cross Section -  
651/652/653 Series  
Lubricator

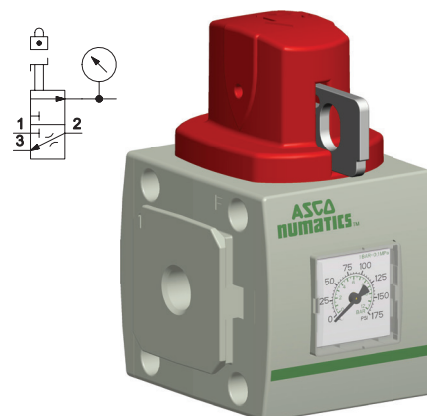


To remove bowl allow:  
651 Series - 20 mm  
652/653 Series - 25 mm  
from the bottom of the bowl.

Series	A	B	C	D	E	F	G
651	198	58	50	25	58	29	116
652	217	64	66	33	69	30,5	135
653	266	75	90	45	93	46,5	155

# SHUT-OFF ISOLATION VALVE

- Robust and easy-to-operate shut-off valve, with lockout on handle
- Provides shut-off to downstream machinery
- Optional low profile integrated gauge provides clear indication of the downstream pressure, and when the downstream components can be safely removed when pressure (P2) is at zero
- Available as 3/2 or 2/2 construction



Performance Data							
Series	651		652		653		
Port sizes	1/8, 1/4		1/4, 3/8, 1/2		3/4, 1		
Thread type	G (NPTF in option)						
Nominal flow - ISO 6358  P1 = 6,3 bar ΔP = 1 bar	l/min (ANR)						
		1 → 2	2 → 3	1 → 2	2 → 3	1 → 2	2 → 3
	1/8	1440	250	-	-	-	-
	1/4	4720	250	4300	230	-	-
	3/8	-	-	8800	230	-	-
	1/2	-	-	11400	230	-	-
	3/4	-	-	-	-	33000	300
1	-	-	-	-	51900	300	
Maximum inlet pressure (bar)	16				20		
Ambient temperature range (°C)	-10 to +50						
Fluid temperature range (°C)	-10 to +50						
Fluid	air or inert gas						
Weight (kg)	0,260		0,438		0,943		

Materials in contact with fluid	
Body	Aluminium
Ball	Chrome-plated brass
Seat	PTFE
Seals	NBR/FPM

## HOW TO ORDER

### Shut-Off Isolation Valve

**G 651 A 3 M 0 2 G A00 00**

[Configurator - CAD Files](#)

**Thread connection**

- G = ISO 228/1-G <sup>(1)</sup>
- 8 = NPTF

**Product series**

- 651
- 652
- 653

**Revision letter**

- A

**Product type**

- 2 = 2/2 - Shut Off Valve
- 3 = 3/2 - Shut Off Valve

**Valve Type**

- M = Manually Operated Ball Valve with Lockout

**Pilot valve/Electrical connection**

- 0 = No Electrical Connection

**Port size**

- 1 = 1/8 (651 Series)
- 2 = 1/4 (651 or 652 Series)
- 3 = 3/8 (652 Series)
- 4 = 1/2 (652 Series)
- 5 = 3/4 (653 Series)
- 6 = 1 (653 Series)

<sup>(1)</sup> Conforms to ISO standards 1179-1.

<sup>(2)</sup> [If multiple options are required, please use the on-line CAD configurator on the website to generate the part number \(www.asco.com\).](#)

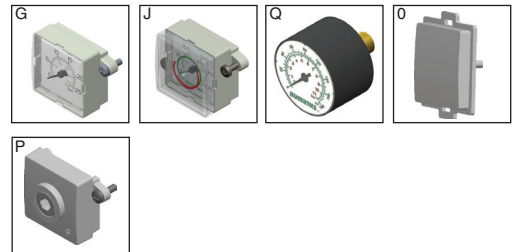
**Options <sup>(2)</sup>**

- A00 = Without option
- 101 = Side Mounting Brackets
- 109 = FPM seals
- 111 = Metal Muffler
- 112 = Polyethylene Muffler
- 113 = Stainless steel fasteners
- 115 = Scissor Lock
- 117 = ATEX zones 1-21
- 122 = Bottom oriented pressure adjustment
- 123 = Gauge type mounted for right-to-left flow
- 124 = CUTR Certification (EAC)
- 125 = CUTR Ex
- 2B9 = 111 + 115



**Gauge type**

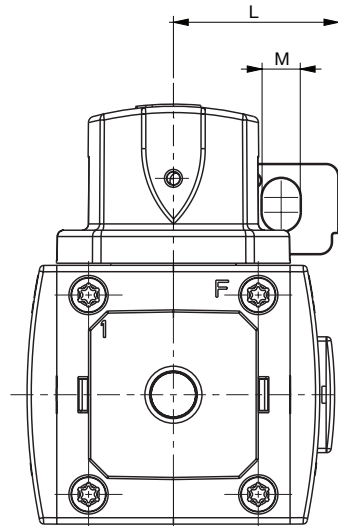
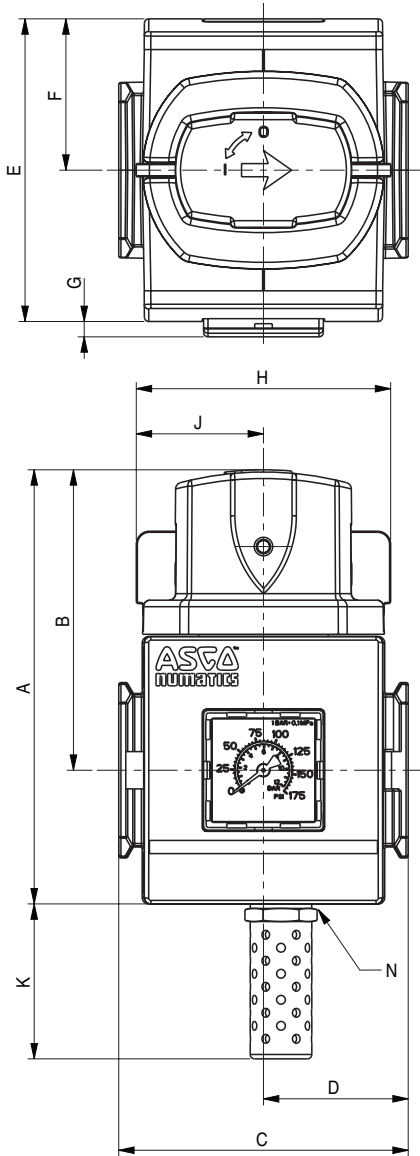
- G = Low profile integrated gauge bar/PSI
- J = Low profile integrated gauge bar/PSI with pressure range indicators
- Q = Round gauge bar/PSI
- 0 = No gauge port
- P = Port Plate Rc 1/8



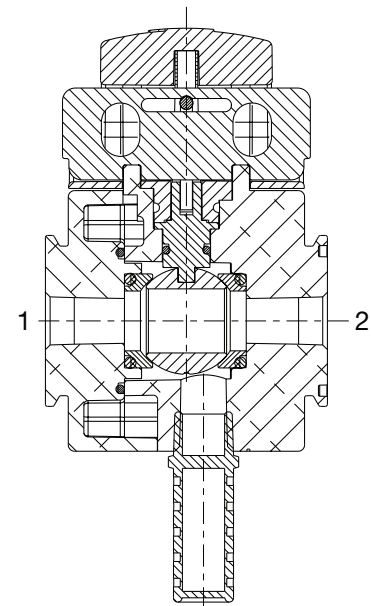
Dimensions: mm

Dimensional Drawing - 651/652/653 Series Shut-Off Isolation Valve

[Configurator - CAD Files](#)

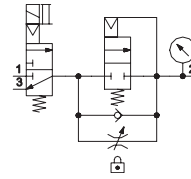


Cross Section -  
651/652/653 Series  
Shut-Off Isolation Valve



Series	A	B	C	D	E	F	G	H	J	K	L	M	N
651	90,5	65,5	50	25	58	29	4,4	57,8	28,9	35,5	38	9	G1/4
652	99	68	66	33	69	34,5	2,5	58	29	35	39	9	G1/4
653	120	79	90	45	93	46,5	1,9	58	29	46,7	38	9	G3/8

- This unit provides two main functions:
  - Pneumatic system venting
  - Gradual pressurisation after an outage leading to venting of the system
- This product allows for machines and installations to conform to the European Directives
- High exhaust capacity for quick depletion of downstream pressure
- Optional low profile integrated gauge, round gauge, digital gauge or digital pressure switch
- Constructions includes: 3/2 Quick Exhaust, 3/2 Slow-Start/Quick-Exhaust, and 2/2 Slow Start
- Electrical connections: Coil with DIN terminals; DIN Plug, DIN Plug with LED, and coil with built-in M12 3 Pin male connection (24 VDC)



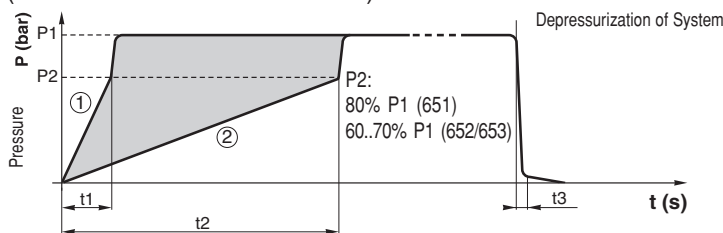
Performance Data							
Series	651		652		653		
Port sizes	1/8, 1/4		1/4, 3/8, 1/2		3/4, 1		
Thread type	G (NPTF in option)						
Nominal flow - ISO 6358  P1 = 6,3 bar ΔP = 1 bar	l/min (ANR)						
		1 → 2	2 → 3	1 → 2	2 → 3	1 → 2	2 → 3
	1/8	780	1040	-	-	-	-
	1/4	1000	1120	1500	2100	-	-
	3/8	-	-	3750	4300	-	-
	1/2	-	-	4650	5000	-	-
	3/4	-	-	-	-	7280	8890
	1	-	-	-	-	8230	8960
Minimum operating pressure (bar)	3,8 *						
Maximum operating pressure (bar)	10						
Ambient temperature range (°C)	-10 to +50						
Fluid temperature range (°C)	-10 to +50						
Fluid	air or inert gas						
Weight (kg)	0,387		0,438		1,592		

\*If P(1) supply flow is restricted on valves with internal pilot supply, momentary exhaust leakage can occur.

Materials in contact with fluid	
Body	Aluminium
Seals	NBR/FKM
Springs	Stainless steel
Poppet piston	Brass

Operating Data				
	24/DC	115/50	230/50	24/50
Power	—	9 VA	9 VA	9 VA
Holding	3 W	4 VA (3 W)		

## System Pressurization and Depressurization Curves (with Automatic Soft-Start Device)



The adjustment range for the pressurization time lies between curves (1) and (2).

The transition to full flow takes place automatically as soon as the downstream pressure reaches 80% (651)/60% to 70% (652/653) of the upstream pressure.

Filling and venting times (seconds)			
	651 Series	652 Series	653 Series
t1 (with screw loosened by 6 (651)/7 (652)/8 (653) turns)	8	3,2	2,8
t2 (with screw loosened by 1 turn)	112	23	18,5
t3 (venting time)	5	1	0,5

These times correspond to a supply pressure (P1) of 6.3 bar, a transition pressure (P2) of 80% (651)/60% to 70% (652/653) P1 (not adjustable) and a downstream capacity of 10 liters.

## HOW TO ORDER

### Slow Start-Quick Exhaust Valve

**G 651 A 6 S 6 2 G A00 F1**

[Configurator - CAD Files](#)

#### Thread connection

- G = ISO 228/1-G <sup>(1)</sup>
- 8 = NPTF

#### Product series

- 651
- 652
- 653

#### Revision letter

- A

#### Product type

- 4 = 2/2 - Slow start
- 5 = 3/2 - Quick exhaust
- 6 = 3/2 - Slow start/Quick exhaust

#### Valve type

- E = External air pilot
- P = Internal air pilot  
(Available on 2/2 Slow Start only)
- S = Solenoid air pilot

#### Pilot valve/Electrical connection

- 0 = No Electrical Connection
- 1 = Vertical Solenoid Pilot, without DIN Connector  
(must order with option 110)
- 2 = Vertical Solenoid Pilot, DIN Connector with LED  
(must order with option 110)
- 3 = Vertical Solenoid Pilot, DIN Connector w/o LED  
(must order with option 110)
- 4 = Vertical Solenoid Pilot, 3 Pin M12 Connection <sup>(2)</sup>  
(must order with option 110)
- 5 = Horizontal Solenoid Pilot, without DIN Connector
- 6 = Horizontal Solenoid Pilot, DIN Connector with LED
- 7 = Horizontal Solenoid Pilot, DIN Connector without LED
- 8 = Horizontal Solenoid Pilot with 3 Pin M12 Connection <sup>(2)</sup>
- 9 = Without pilot operator

#### Port size

- 1 = 1/8 (651 Series)
- 2 = 1/4 (651 or 652 Series)
- 3 = 3/8 (652 Series)
- 4 = 1/2 (652 Series)
- 5 = 3/4 (653 Series)
- 6 = 1 (653 Series)

<sup>(1)</sup> Conforms to ISO standards 1179-1.

<sup>(2)</sup> Available for DC voltage only.

<sup>(3)</sup> [If multiple options are required, please use the on-line CAD configurator on the website to generate the part number \(www.asco.com\).](#)

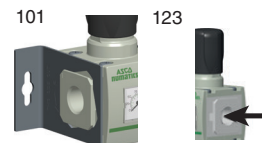
<sup>(4)</sup> Option 117 (ATEX 1-21) is available with Valve Type "E" or "P". For Valve Type "S" (Solenoid Pilot), please select "9" under the "Pilot Valve/Electrical Connection. Contact us for further information.

#### Voltage

- EW = 115 50/60 VAC
- F1 = 24 VDC
- FQ = 24 50/60 VAC
- FH = 230 50/60 VAC (651 or 652)
- F8 = 230/50 VAC (653 only)
- DE = 230/60 VAC (653 only)
- 00 = No voltage

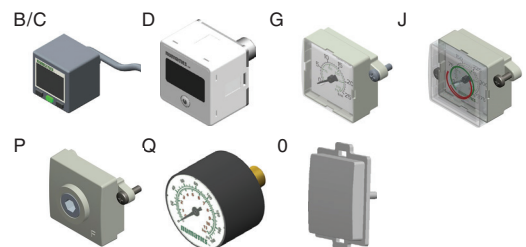
#### Options <sup>(3)</sup>

- A00 = Without option
- 101 = Side Mounting Brackets
- 109 = FPM seals
- 110 = Without manual operator
- 111 = Metal Muffler
- 112 = Polyethylene Muffler
- 113 = Stainless steel fasteners
- 117 = ATEX zones 1/21 <sup>(4)</sup>
- 122 = Inverter Mounting
- 123 = Gauge type mounted for right-to-left flow
- 124 = CUTR Certification (EAC)
- 125 = CUTR Ex
- 201 = 110 + 111



#### Gauge type

- B = Digital pressure switch - PNP
- C = Digital pressure switch - NPN
- D = Digital gauge
- G = Low profile integrated gauge bar/PSI
- J = Low profile integrated gauge bar/PSI with pressure range indicators
- Q = Round gauge bar/PSI
- 0 = No gauge port
- P = Port Plate Rc 1/8



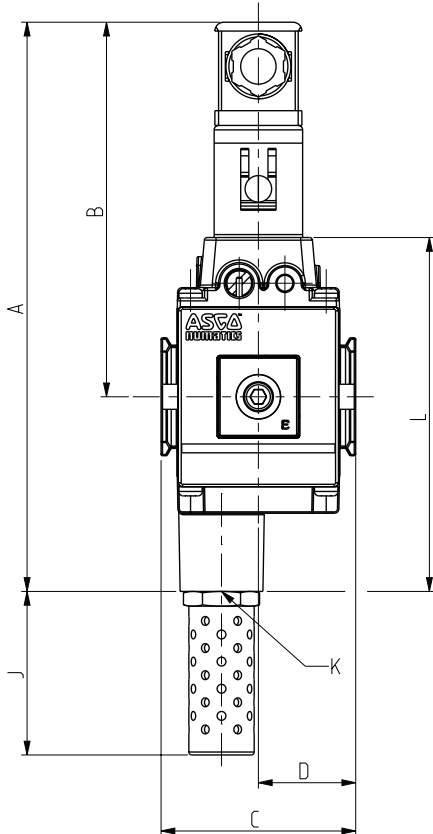
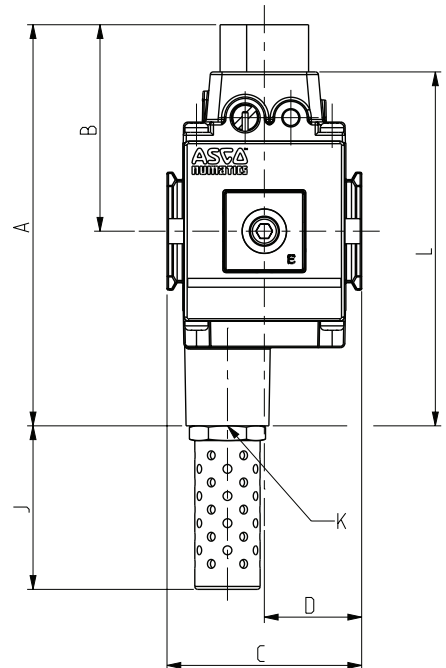
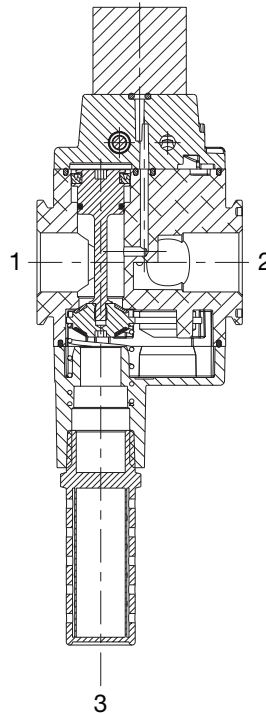
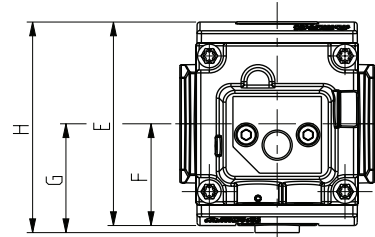
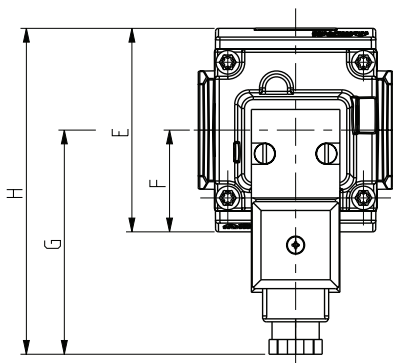


Dimensions: mm

**Dimensional Drawing - 651/652/653 Series Slow-Start/Quick Exhaust Valve**

[Configurator - CAD Files](#)

**Cross Section -  
651/652/653 Series  
Slow-Start/Quick  
Exhaust Valve**



**External Air Pilot**

Series	A	B	C	D	E	F	G	H	J	K	L
651	113	59	50	25	58	29	31.5	60.5	34.5	G1/4	97
652	136	70	66	33	69	34.5	37	71.5	57	G1/2	120
653	158	81	90	45	93,1	46,5	48,4	95	81,2	G1	142

**Solenoid Pilot**

Series	A	B	C	D	E	F	G	H	J	K	L
651	170	116	50	25	58	29	72	101	34,5	G1/4	97
652	193	127	66	33	69	34,5	76	110,5	57	G1/2	120
653	214	137	90	45	93,1	46,5	94	140,5	81,2	G1	142

01809GB-2017/R02  
Availability, design and specifications are subject to change without notice. All rights reserved.

SERIES  
651  
652  
653

# DIVERTER BLOCK



- Ideal for branching off primary 651/652/653 series air prep manifold to add additional products
- 1/4 G (651 Series), 3/8 G (652 Series), or 3/4 G (653 Series) on the front and back provide additional flexibility to attach or branch off the main manifold
- It can also be used to feed auxiliary air to air prep assemblies that require additional air capacity, such as a bank of manifold regulators



Performance Data				
Series		651	652	653
Port sizes	Left, Right & Bottom	1/4 & flange	1/2 & flange	1 & flange
	Front & Back	1/4	3/8	3/4
Thread type		G (NPTF in option)		
Top Port (for Pressure Switch/Pressure Sensor)		pad mount		
Maximum pressure (bar)		16		20
Fluid		air or inert gas		
Weight (kg)		0,188	0,331	0,753

Materials in contact with fluid	
Body	Aluminium

## HOW TO ORDER

### Diverter Block

**G 651 A D 0 0 2 C A00 0 0**

[Configurator - CAD Files](#)

#### Thread connection

G = ISO 228/1-G <sup>(1)</sup>  
8 = NPTF

#### Product series

651  
652  
653

#### Revision letter

A

#### Product type

D = Diverter Block

#### Options <sup>(2)</sup>

A00 = Without option  
101 = Side Mounting Brackets  
117 = ATEX zones 1-21   
124 = CUTR Certification (EAC)  
125 = CUTR Ex

#### Pressure switch interface

C = Provisioned for 349 pressure switch pad mount

#### Port size

2 = 1/4 (651 Series)  
4 = 1/2 (652 Series)  
6 = 1 (653 Series)

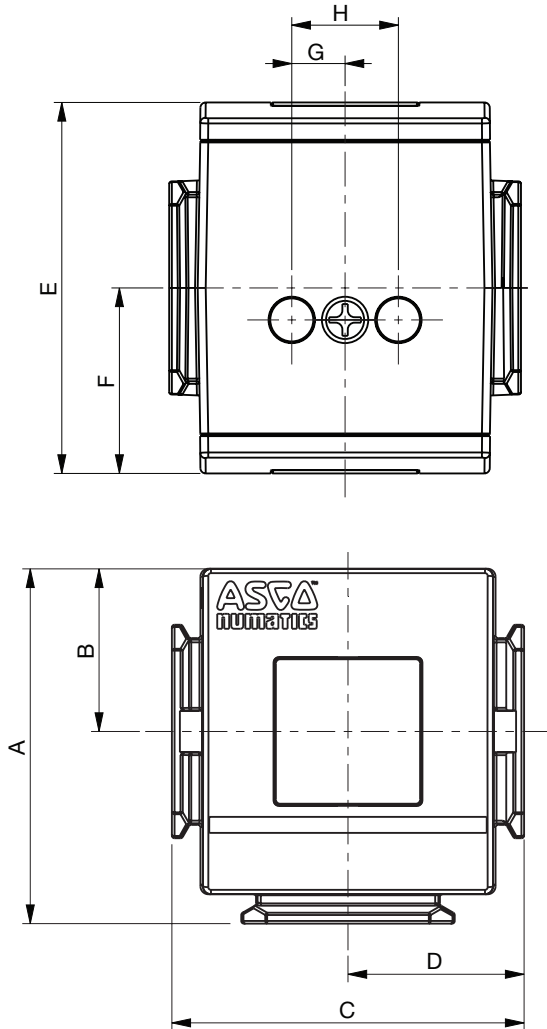
<sup>(1)</sup> Conforms to ISO standards 1179-1.

<sup>(2)</sup> If multiple options are required, please use the on-line CAD configurator on the website to generate the part number ([www.asco.com](http://www.asco.com)).

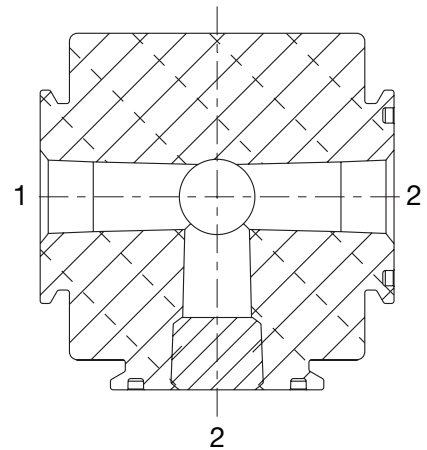
Dimensions: mm

Dimensional Drawing - 651/652/653 Series Diverter Block

[Configurator - CAD Files](#)



Cross Section -  
651/652/653 Series  
Diverter Block



Series	A	B	C	D	E	F	G	H
651	54,4	25	50	25	58	29	10	20
652	66,5	30,5	66	33	70	35	10	20
653	86,5	41	90	45	93	46,5	10	20

- Modular assembly to 652 and 653 series manifold using common body clamps
- Provides high exhaust capacity of downstream pressure
- Available as full-flow start or slow-start
- Slow-start feature allows operator to turn knob counter clock wise to "On" position, gradually ramping up downstream pressure
- Bright yellow body with red knob is easily identified as an emergency shut-off device
- Typically located as the final component in an FRL manifold

Performance Data					
Series	652			653	
Port sizes*	1/2			1	
Nominal flow		1 → 2	2 → 3	1 → 2	2 → 3
	l/min (ANR)	5910	5910	9850	9850
Ambient temperature range (°C)	+4 to +50				
Fluid temperature range (°C)	+4 to +50				
Maximum pressure (bar)	10,3			17	
Fluid	air or inert gas				
Weight (kg)	Standard	1,23		2,89	
	Slow Start	1,39		3,23	

\*Ports are not threaded (grey Flanges). Easily connect to 652 Series Manifold. When connecting to pipe, use end-plate kits #T652AT502468002 (652 Series) or T653AT (653 Series).

Materials in contact with fluid	
Body	Aluminium
Seals	NBR
Spool	Aluminium

## HOW TO ORDER

### Lockout Valve

T 652 A 5 L 0 4 0 A00 00

**Thread connection**  
T = Modular Mounting

**Product series**  
652  
653

**Revision letter**  
A

**Product type**  
5 = 3/2 - Quick Exhaust  
6 = 3/2 - Slow Start - Quick Exhaust

### 3/2 Lockout Valve with Slow Start Feature



### 3/2 Lockout Valve



[Configurator - CAD Files](#)

**Options <sup>(1)</sup>**  
A00 = Without option  
111 = Metal Muffler  
115 = Scissor Lock  
2B9 = 111 + 115

**Port size**  
4 = 1/2 (652 Series)  
6 = 1 (653 Series)

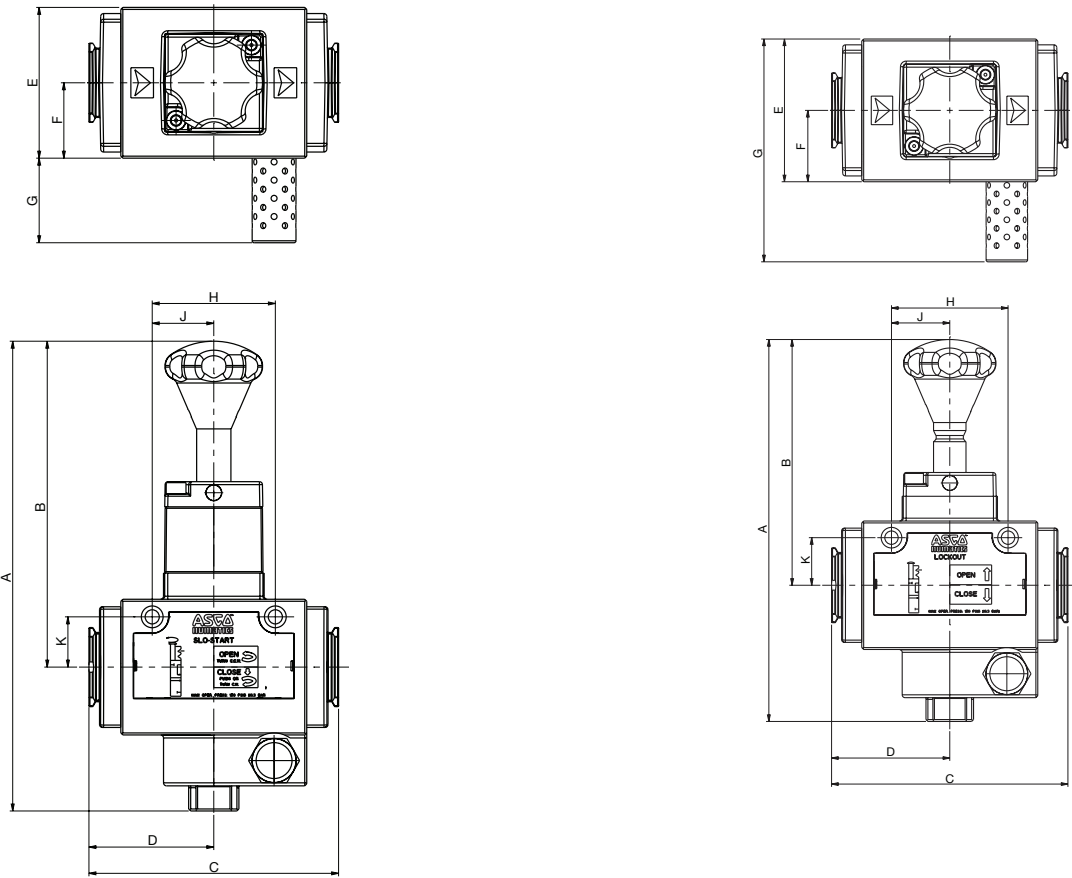
**Valve Type**  
L = Manually Operated Lockout

<sup>(1)</sup> If multiple options are required, please use the on-line CAD configurator on the website to generate the part number ([www.asco.com](http://www.asco.com)).

Dimensions: mm

Dimensional Drawing - 652/653 Series Lockout Valve

[Configurator - CAD Files](#)



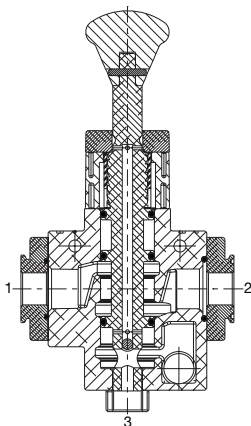
Note: When the knob is pushed down (Closed position), the lockout shaft extends out of the bottom by 12,2 mm. The lockout hole diameter in the shaft is 11,2 mm. These measurements are the same for the standard Lockout and the Slow-Start version.

3/2 Lockout Valve with Slow Start Feature

Series	A	B	C	D	E
652	237,5	164,9	126,2	63,1	76,2
653	291	198,8	150,5	75,3	101,6

Series	F	G	H	J	K
652	38,1	42,7	62,2	31,1	25,4
653	50,8	77,3	82,8	41,4	27,9

3/2 Lockout Valve with Slow Start Feature Cross Section

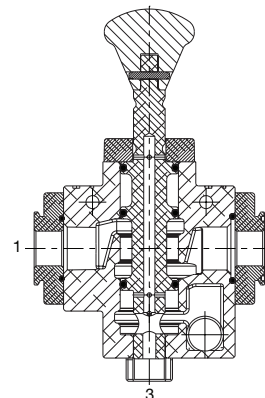


3/2 Lockout Valve

Series	A	B	C	D	E
652	204	131,3	126,2	63,1	76,2
653	247,8	155,6	150,5	75,3	101,6

Series	F	G	H	J	K
652	38,1	119	62,2	31,1	25,4
653	50,8	178,9	82,8	41,4	27,9

3/2 Lockout Valve Cross Section



# FR + L AIR PREPARATION MANIFOLD ASSEMBLIES

- Assembly of Filter/Regulator + Lubricator to meet most frequent configurations
- Filter/Regulator with low profile integrated gauge
- Polycarbonate bowls with bowl guard
- Delivered mounted and tested, saves time and logistic costs



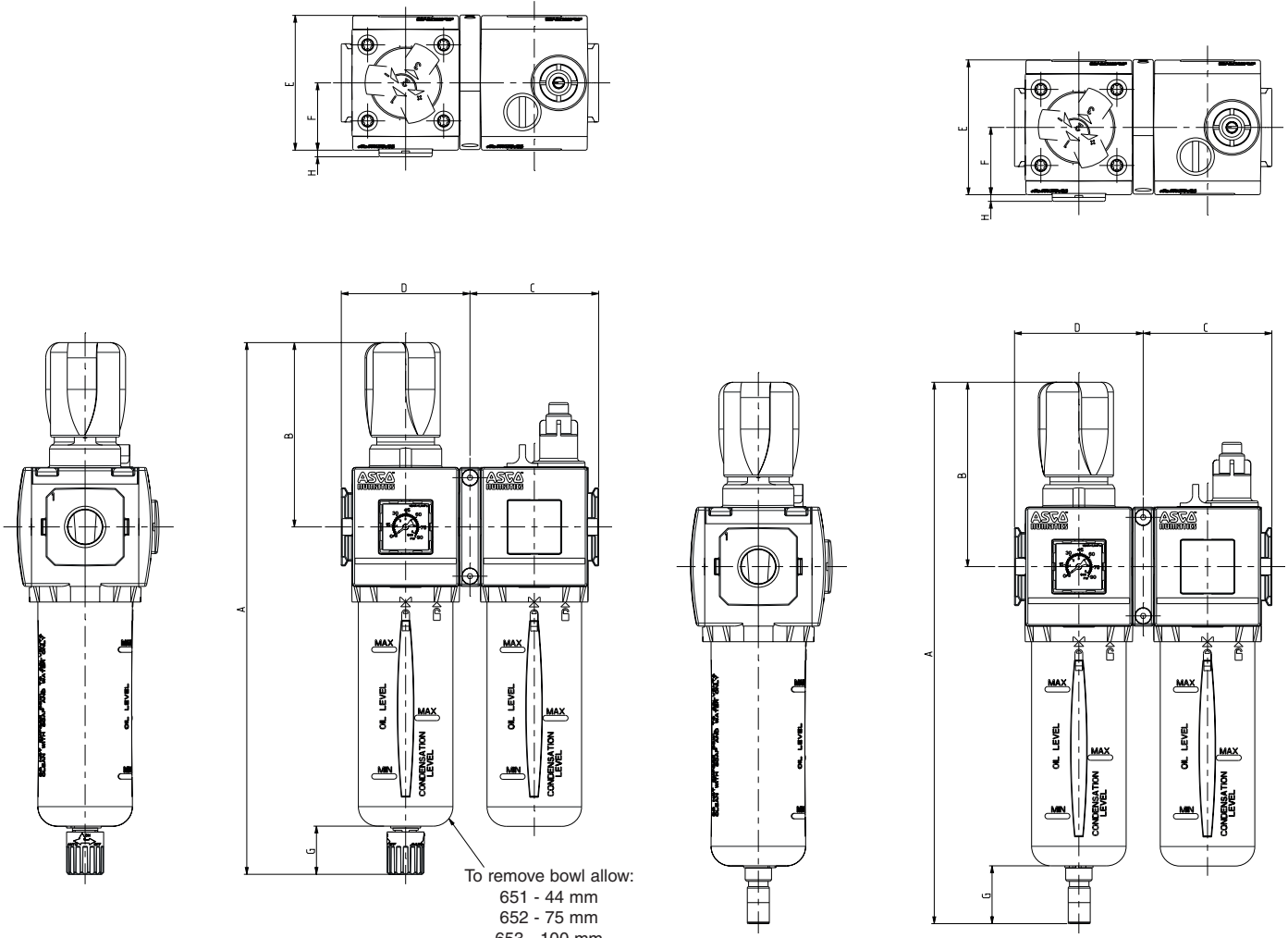
[Configurator - CAD Files](#)

Performance Data				
		Series		
Port sizes		651	1/8, 1/4	
		652	1/4, 3/8, 1/2	
		653	3/4, 1	
Thread type		G (NPTF in option)		
Micron Rating		25 µm		5 µm
<b>Semi-Automatic &amp; Manual Drain:</b>		<b>Part Number</b>		<b>Part Number</b>
Adjustable Pressure: 0,2-10 bar	1/8	651	A651A0000000400	A651A0000000408
	1/4	651	A651A0000000401	A651A0000000409
		652	A652A0000000001	A652A0000000013
	3/8	652	A652A0000000002	A652A0000000014
	1/2	652	A652A0000000003	A652A0000000015
	3/4	653	A653A0000000600	A653A0000000612
	1	653	A653A0000000601	A653A0000000613
Adjustable Pressure: 0,2-3 bar	1/8	651	A651A0000000402	A651A0000000410
	1/4	651	A651A0000000403	A651A0000000411
		652	A652A0000000004	A652A0000000016
	3/8	652	A652A0000000005	A652A0000000017
	1/2	652	A652A0000000006	A652A0000000018
	3/4	653	A653A0000000602	A653A0000000614
	1	653	A653A0000000603	A653A0000000615
Adjustable Pressure: 0-16 bar	3/4	653	A653A0000000604	A653A0000000616
	1	653	A653A0000000605	A653A0000000617
<b>Automatic Drain:</b>		<b>Part Number</b>		<b>Part Number</b>
Adjustable Pressure: 0,2-10 bar	1/8	651	A651A0000000404	A651A0000000412
	1/4	651	A651A0000000405	A651A0000000413
		652	A652A0000000007	A652A0000000019
	3/8	652	A652A0000000008	A652A0000000020
	1/2	652	A652A0000000009	A652A0000000021
	3/4	653	A653A0000000606	A653A0000000618
	1	653	A653A0000000607	A653A0000000619
Adjustable Pressure: 0,2-3 bar	1/8	651	A651A0000000406	A651A0000000414
	1/4	651	A651A0000000407	A651A0000000415
		652	A652A0000000010	A652A0000000022
	3/8	652	A652A0000000011	A652A0000000023
	1/2	652	A652A0000000012	A652A0000000024
	3/4	653	A653A0000000608	A653A0000000620
Adjustable Pressure: 0-16 bar	1	653	A653A0000000609	A653A0000000621
	3/4	653	A653A0000000610	A653A0000000622
	1	653	A653A0000000611	A653A0000000623

Dimensions: mm

Dimensional Drawing - 651/652/653 Series Filter/Regulator + Lubricator

[Configurator - CAD Files](#)



**Filter/Regulator + Lubricator  
(Semi Automatic/Manual Drain)  
0,2-10 bar / 0,2-3 bar**

Series	A	B	C	D
651	241	77	50	50
652	273	94,5	66	66
653	340,2	117,5	90	90

Series	E	F	G	H
651	56	29	25	3,5
652	69	34,5	25	3,4
653	93,6	46,8	25	2,7

**Filter/Regulator + Lubricator  
(Semi Automatic/Manual Drain)  
0-16 bar**

Series	A	B	C	D
653	352,5	130,4	90	90

Series	E	F	G	H
653	93,6	46,2	25	2,7

**Filter/Regulator + Lubricator  
(Automatic Drain)  
0,2-10 bar / 0,2-3 bar**

Series	A	B	C	D
651	246	77	50	50
652	277,5	94,5	66	66
653	345,2	117,5	90	90

Series	E	F	G	H
651	56	29	30	3,5
652	69	34,5	29,5	3,4
653	93,6	46,8	30	2,7

**Filter/Regulator + Lubricator  
(Automatic Drain)  
0-16 bar**

Series	A	B	C	D
653	357,5	130,4	90	90

Series	E	F	G	H
653	93,6	46,2	30	2,7

01812GB-2017/R02  
Availability, design and specifications are subject to change without notice. All rights reserved.

**Dimensions: mm**

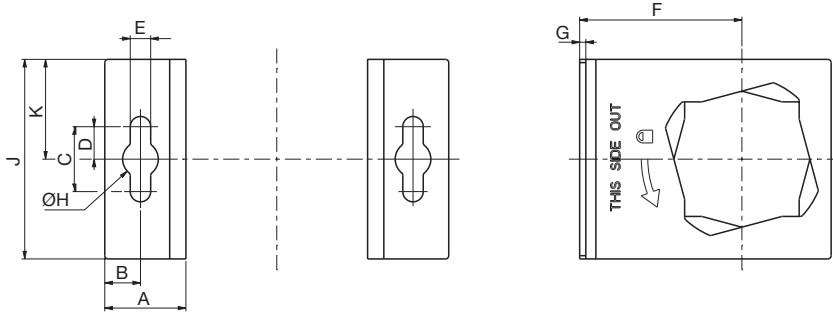
## Dimensional Drawing - Mounting Options

651 Series Side Mounting Brackets Kit: P651AT503860001

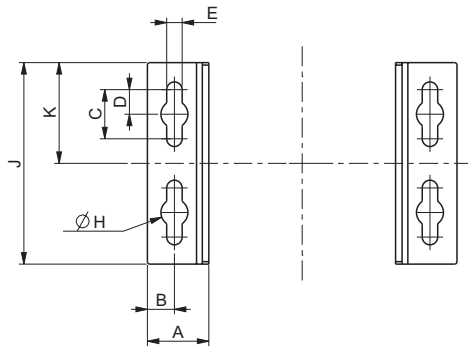
652 Series Side Mounting Brackets Kit: P652AT503860002

652 Series Side Mounting Brackets Kit: P653AT503860003

### 651/652 Series



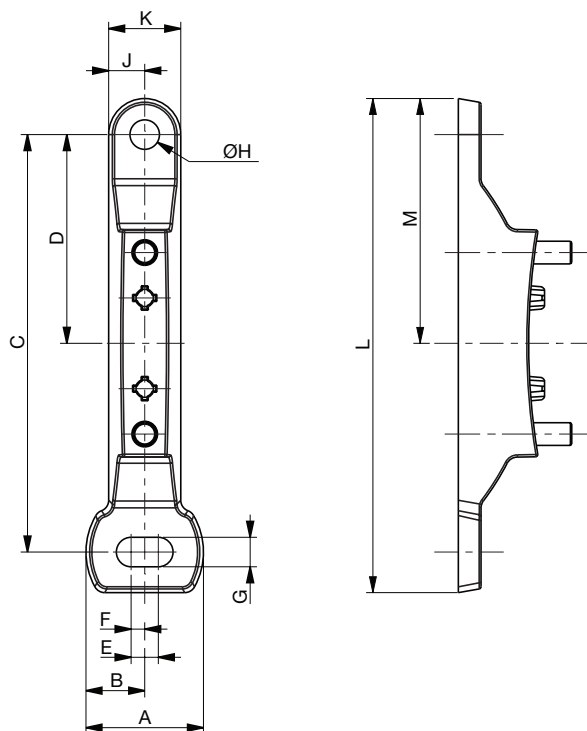
### 653 Series



Series	A	B	C	D	E	F	G	ØH	J	K
651	25	11	20	10	6,3	44,5	1,27	11	50	25
652	25	11	20	10	6,3	50	1,9	11	61,5	30,8
653	25	11	20	10	6,3	62	2,65	11	82	41

## Wall/Panel Bracket Kit: P699AT502467001 (651/652/653)

A	B	C	D	E	F
26	13	92	46	6	3
G	ØH	J	K	L	M
6,5	6,5	8	18	109	44,5



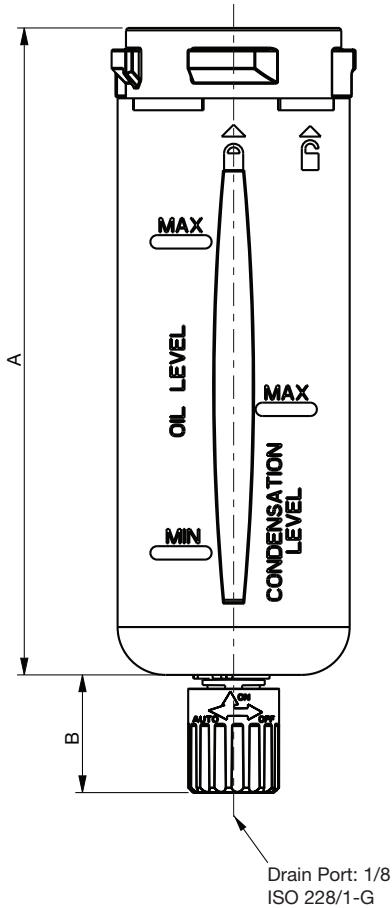


# BOWLS

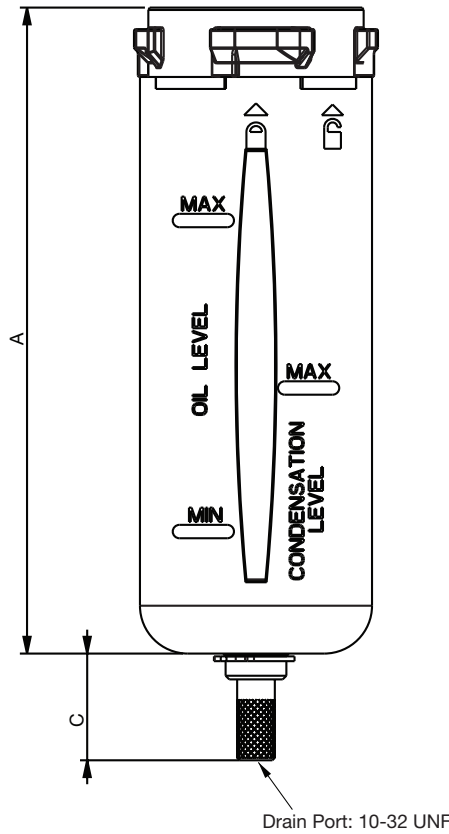
Dimensions: mm

## Dimensional Drawings - Bowl Drain Options

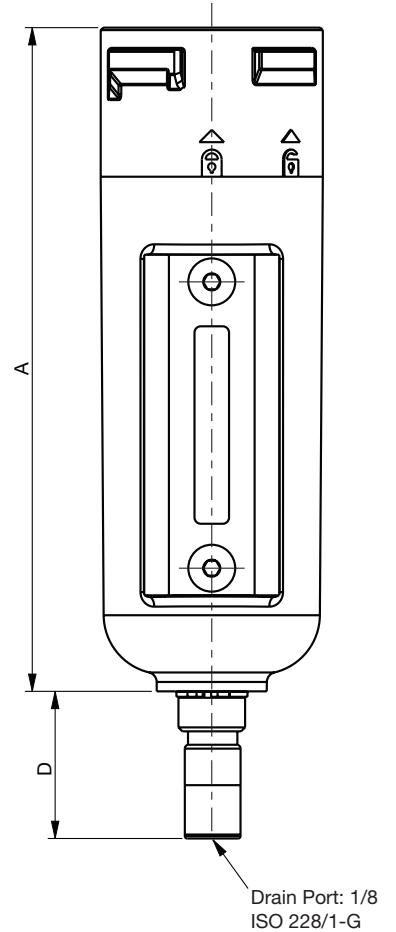
Polycarbonate Bowl/Guard with Semi-Automatic/Manual Drain



Polycarbonate Bowl/Guard with Stainless Steel Manual Drain



Metal Bowl with Automatic Drain



Please allow the following mm clearance for bowl removal:

Series	A	B	C	D
651	116	25	22,5	30
652	135	25	22,3	30
653	155,4	25	22,3	30

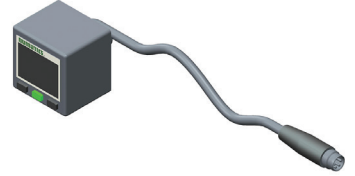
	651	652	653
Particulate Filter or Filter/Reg (from bottom of drain)	44	75	100
Coalescing Filter or Filter/Reg (from bottom of drain)	60	80	105
Coalescing Filter - High Flow	-	-	125
Lubricator (from bottom of bowl)	20	25	25

Bowl Type	Series	Filter - Max Condensate Level (ml)				Lubricator - Max Oil Level (ml)	
		Semi/Manual	Manual	Automatic	No Drain	No Option	w/Liquid Level Indicator
Polycarbonate	651	30	30	15	30	45	35
	652	50	50	35	50	90	80
	653	80	80	65	80	200	190
Aluminium	651	30	30	15	30	45	35
	652	50	50	35	50	90	80
	653	80	80	65	80	200	190

01813GB-2017/R02  
Availability, design and specifications are subject to change without notice. All rights reserved.

## 280 Series Digital Pressure Switch

Performance Data	
Port Size/Thread Type	1/8 ISO 7/1 Rc Male x M5-0,8 Female
	1/8 NPTF Male x 10/32 UNF Female
Ambient Temperature Range (°C)	0 to +50
Rated Pressure Range (bar)	0 to 10
Maximum pressure (bar)	15
Fluid	air or inert gas
Set Pressure Resolution	kPa 1
	kgf/cm <sup>2</sup> 0,01
	bar 0,01
	PSI 0,1
LCD Display	7 Segment; Red/Green Color
Sampling Rate	5 times per second
Repeatability	≤ +/- 0,2% F.S. +/- 1 Digit
Hysteresis (window comparator mode)	Adjustable
Electrical Ratings	
Power Supply Voltage	12 to 24 VDC +/- 10% Ripple (P-P) 10% or Less
Current Consumption	≤ 45 mA (with no load)
Switch Output	PNP Open Collector / NPN Open Collector
Max. Load Current	125 mA 125 mA
Max Supply Voltage	24 VDC 30 VDC
Residual Voltage	≤ 1,5 V ≤ 1,5 V
Load Current	125 mA 125 mA
Enclosure Rating	IP40
Materials in Contact with Fluid	
Enclosure Case	PBT + 30 GF
Port	Nickel Plated Brass
Seals	NBR



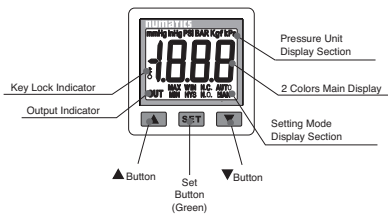
## How to Order

### Model Numbers

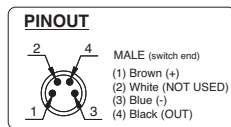
DPS280PRQ8 1/8 ISO 7/1 Rc (PNP) DPS280PNQ8 1/8 NPTF (PNP)  
 DPS280NRQ8 1/8 ISO 7/1 Rc (NPN) DPS280NNQ8 1/8 NPTF (NPN)

Note: All part numbers include an 8 mm Pico 4 Pin connector and 2 meter cable (4 mm O.D. x 24 AWG)

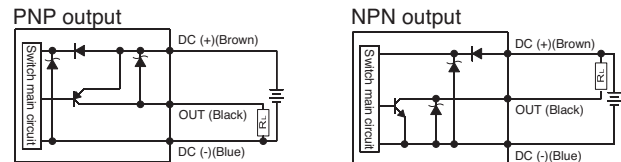
### Display Panel Instructions



### Switch Wiring



### Output Circuit Wiring



### Accessory Numbers

Model	Accessory Description
DPS280-8-4-ST-2	Mating Cable 8 mm 4 Pin 2 Meter
DPS280-8-4-ST-5	Mating Cable 8 mm 4 Pin 5 Meter
PC0402MEETA03000	Patch Cable M8 4 Pin X M12 3 Pin 2 Meter

Model	Accessory Description
PMK280-C	Panel Mount Kit with Cover

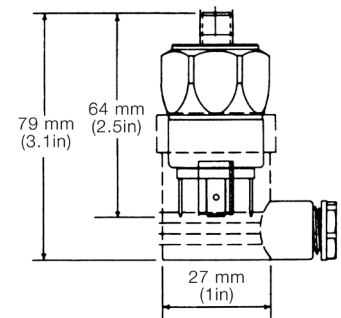
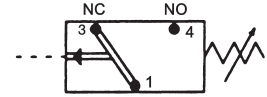
## PS180 Series Pressure Switch

Performance Data	
Port Size/Thread Type	ISO 228/1-G (BSPP) & 1/8 NPTF
Ambient temperature range (°C)	-15 to +85
Set Point Adjustment Ranges (bar)	0,28 to 1,38; 0,97 to 10,34
Maximum pressure (bar)	20,7
Fluid	air or inert gas
Maximum Cycle Rate per Minute	200
Hysteresis Adjustment	15%
Electrical Ratings	
Switch Contact Rating	4 A
Maximum Voltage	250 VAC (200 VDC)
Enclosure Rating	IP65
Materials in Contact with Fluid	
Connector Housing	Polyamide
Port	Zinc plated steel
Seals	NBR

## How to Order

### Model Numbers

PS180CAG01	1/8 ISO 228/1-G
PS180CAN01	1/8 NPTF



## Digital Pressure Gauge

Performance Data	
Port Size/Thread Type	1/8 (ISO 7/1 Rc or NPTF)
Ambient temperature range (°C)	0 to +50
Rated Pressure Range (bar)	0 to 10
Maximum pressure (bar)	15
Fluid	air or inert gas
Display (Unit Measurement)	PSI, bar, Mpa, kgf/cm <sup>2</sup>
LCD Display	7 Segment 3-1/2 Digit
Sampling Rate	2 times per second
Repeatability	< + 0.2% + 1 Digit
Electrical Ratings	
Battery	CR 2032 Lithium (Replaceable)
Battery Life	3 Year (display turned on 5 times per day)
Battery Power Saving Mode	Display turns off after 30 seconds
Enclosure Rating	IP65
Materials in Contact with Fluid	
Enclosure - Front Case	ABS
Enclosure - Back Case	Zinc
Seals	NBR



## How to Order

### Model Numbers

M699AG504650002	1/8 ISO 7/1
M699AG504650001	1/8 NPTF

## 349 Series Pressure Switch

Performance Data		
	Without Protection	With Protection
Port Size/Thread Type	Pad Mounted	
Fluid	air or inert gas	
Pressure Setting	0,2 to 6; 0,5 to 10; 0,5 to 16 bar	
Hysteresis	0,4 bar at the beginning of adjustment range 1 bar at the end of adjustment range	
Operating Temperature (°C)	-10 to +60	0 to +60
Max Voltage	250V - AC/DC	24 VDC
Current Breacking Capacity	5A - 250V Resistive	2A - 24VDC Resistive
Protection Degree	IP65	
Max Speed	60 cycles per minute	
Material in contact with fluid		
Body	High Performance Polymer(PA61/XT) / Aluminium for 16 bar version	
Seals	NBR	

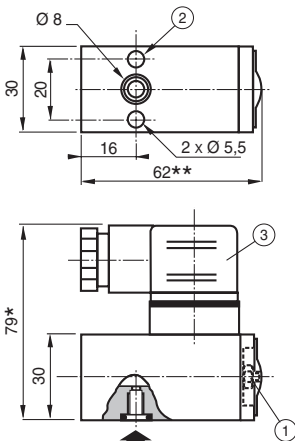


## How to Order

	0,2 - 6 bar	0,5 - 10 bar	0,5 - 16 bar
With Protection	34900028	34900031	34900034
Without Protection	34900027	34900030	34900033

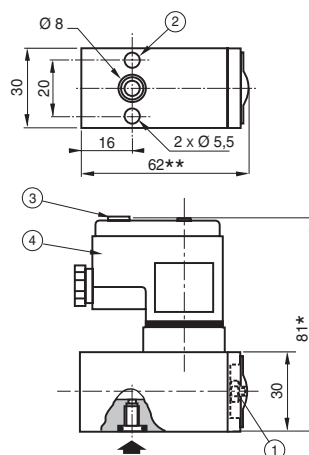
## Dimensional Drawings

### Without Protection



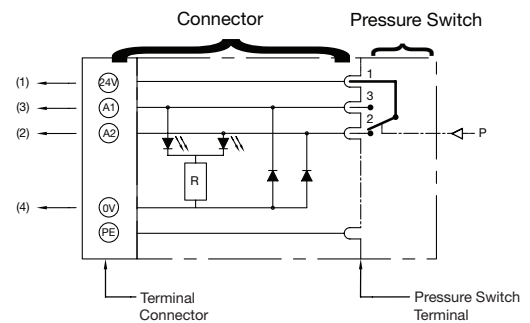
- ① Pressure set screw (spanner for hexagon nuts: 3 mm)
  - ② 2 holes Ø 5,5 for mounting
  - ③ ISO4400 size 30 connector, 4 terminals, rotatable by 90°
- \* +15 mm for connector clearance  
\*\* +2 mm for 0,5-16 bar version

### With Protection



- ① Pressure set screw (spanner for hexagon nuts: 3 mm)
  - ② 2 holes Ø 5,5 for mounting
  - ③ Identification label holder
  - ④ ISO 4400 size 30 connector, 4 terminals, non rotatable
- \* +15 mm for connector clearance  
\*\* +2 mm for 0,5-16 bar version

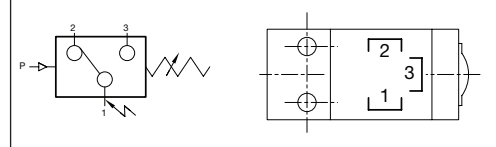
## With Protection Electrical Diagram



### Status indicated by two diodes:

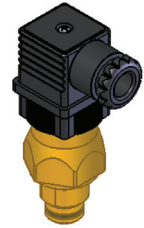
- at rest: contact 1-2 made: orange diode lights
  - at work: contact 1-3 made: red diode lights
- Terminal connection for 1,5 mm<sup>2</sup> wire integrated interference blinking

### Electrical Connection With and Without Protection



## Electric Differential Pressure Indicator

Performance Data	
Ambient temperature range (°C)	-25 to +100
Maximum pressure (bar)	20
Delta P Setting (bar)	0,7
Electrical Ratings	
Switching Contact	SPDT
14 VDC/5 A; 30 VDC/4 A; 125 VAC/5 A; 250 VAC/5 A	
Minimum Load	5 VDC / 160 mA
Enclosure Rating	IP65 (DIN Connector 43650)
Materials in Contact with Fluid	
Body	Brass
Seals	NBR



## How to Order

### Model Numbers

M699AG439851003

## Electronic Liquid Level Indicator (for Lubricator)

Performance Data	
Actuation Point	25 ml (Nominal)
Switch Contact is open when fluid drops below 25 ml	
Connection	1/8-27 NPT External Thread
Electrical Ratings	
Switching Contact	SPST
Switch Type	50 Watt Reed Switch
Wire Size / Length	22 AWG / 610 mm
Materials in Contact with Fluid	
Body	Brass
Float	Nylon



## How to Order








### Model Numbers

M699AG506837001

01814GB-2017/R02  
Availability, design and specifications are subject to change without notice. All rights reserved.

## Repair Kits and Service Parts











### 651/652/653 Series - Spare Parts Kits

		Description	Series	Kit Number
Bowls*		Polycarbonate Bowl & Bowl Guard - Includes NBR Bowl Seal for Filters, Filter-Regulators and Lubricators (Electronic Liquid Level Indicator only)	651	M651AU434133001
			652	M652AU440511001
			653	M653AU507439001
		Polycarbonate Bowl & Bowl Guard - Includes NBR Bowl Seal for Lubricators.	651	M651AU434133008
			652	M652AU440511008
			653	M653AU507439006
		Metal bowl without sight gauge. Includes NBR Bowl Seal.	651	M651AU434133002
			652	M652AU440511002
			653	M653AU507439002
		Metal bowl without sight gauge. Includes FKM Bowl Seal.	651	M651AU434133011
			652	M652AU440511011
			653	M653AU507439005
	Metal bowl with borosilicate (glass) sight gauge. Includes NBR Bowl Seal.	651	M651AU434133004	
		652	M652AU440511004	
		653	M653AU507439004	
	Metal bowl with borosilicate (glass) sight gauge. Includes FKM Bowl Seal.	651	M651AU434133015	
		652	M652AU440511015	
		653	M653AU507439013	
High Pressure Bowls		Metal bowl without sight gauge. Includes NBR Bowl Seal.	653	M653AU507439002
		Metal bowl without sight gauge. Includes FKM Bowl Seal.	653	M653AU507439005
		Metal bowl with borosilicate (glass) sight gauge. Includes NBR Bowl Seal.	653	M653AU507439004
		Metal bowl with borosilicate (glass) sight gauge. Includes FKM Bowl Seal.	653	M653AU507439013
High Flow Bowls		Metal bowl without sight gauge. Includes NBR Bowl Seal. (Coalescing Filter and Filter/Regulator High Flow)	653	M653AU523308001
		Metal bowl without sight gauge. Includes FKM Bowl Seal. (Coalescing Filter and Filter/Regulator High Flow)	653	M653AU523308002

\* For lubricator replacement metal bowls, please also order bowl plug p/n M699AQ440512001. This is not required if the Electronic Liquid Level Indicator is used.

## Repair Kits and Service Parts

### 651/652/653 Series - Spare Parts Kits

	Description	Series	Kit Number
<b>Drains</b>	 Drain Plug Assembly. Provides an option to customers that do not want to use a bowl drain. Includes NBR seal.	651 652 653	M699AQ440512001
	 Semi-Automatic/Manual Drain Assembly - with NBR seals. This normally open drain can be used as a manual drain or set to semi-automatic, which will drain the bowl upon a loss of system pressure. Drain material is plastic.	651 652 653	M699AQ440512002
	 Semi-Automatic/Manual Drain Assembly - with FKM seals. This normally open drain can be used as a manual drain or set to semi-automatic, which will drain the bowl upon a loss of system pressure. Drain material is plastic.	651 652 653	M699AQ440512007
	 Manual Stainless Steel Drain Assembly - with NBR seals. Provides the user with an alternative to the plastic semi-automatic drain.	651 652 653	M699AQ440512003
	 Manual Stainless Steel Drain Assembly - with FKM seals. Provides the user with an alternative to the plastic semi-automatic drain.	651 652 653	M699AQ440512008
	 Automatic Drain Assembly - with NBR seals. This drain uses a float that initiates the bowl to drain when the liquid rises. In addition, all fluid will drain when the pressure drops below 22 PSI. Drain material is brass. This drain can also be operated manually.	651 652 653	M699AQ501862001
<b>Bowl &amp; Drain Assembly</b>		651	M651AU514009001
		652	M652AU513311001
		653	M653AU514103001
<b>Bowl Seal Kits</b>		651	M651AH507403001
		652	M652AH507085001
		653	M653AH514106001
		651	M651AH507403002
		652	M652AH507085002
		652	M653AH514106002
<b>Side Cover Kits</b>		651	M651AY524218001
		652	M652AY524218002
		653	M653AY524218003

01815GB-2017/R02  
Availability, design and specifications are subject to change without notice. All rights reserved.

SERIES

651

652

653



**Repair Kits and Service Parts**

**651/652/653 Series - Spare Parts Kits**

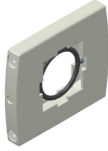
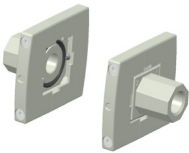

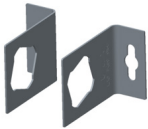




		Description	Series	Kit Number	Color
Filter Elements		5 Micron Particulate Filter Element	651	M651AE434063001	White
			652	M652AE433582001	
			653	M653AE439490001	
		25 Micron Particulate Filter Element	651	M651AE434063002	Yellow
			652	M652AE433582002	
			653	M653AE439490002	
		0,3 Micron Coalescing Filter Element	651	M651AE525276001	Green
			652	EKF22D	
		0,3 Micron Coalescing Filter Element (High Flow)	653	M653AE516209001	
			651	M651AE525276003	
		0,01 Micron Coalescing Filter Element	652	EKF22E	Red
			653	EKF32E	
		0,01 Micron Coalescing Filter Element (High Flow)	653	M653AE516209003	
			651	M651AE525276002	
		0,3 Micron Coalescing Filter Element - with 3 Micron pre-filter	652	EKF22DD	Green
			653	EKF32DD	
		0,3 Micron Coalescing Filter Element - with 3 Micron pre-filter (High Flow)	653	M653AE516209002	
			651	M651AE525276004	
		0,01 Micron Coalescing Filter Element - with 3 Micron pre-filter	652	EKF22ED	Red
			653	EKF32ED	
		0,01 Micron Coalescing Filter Element - with 3 Micron pre-filter (High Flow)	653	M653AE516209004	
			651	EKF12F	
		Adsorber (Activated Carbon) Filter	652	EKF22F	Grey
			653	EKF32F	
653			M653AE516209005		
Adsorber (Activated Carbon) Filter (High Flow)		653	M653AE516209005		

01815GB-2017/R02  
Availability, design and specifications are subject to change without notice. All rights reserved.



## Repair Kits and Service Parts

### 651/652/653 Series - Air Prep Assembly and Mounting Kits

Description		Series	Kit Number		
	Body-to-Body Assembly Clamps (Includes NBR O-Ring). Clamp material is aluminum.	651	P651AT504958001		
		652	P652AT502466001		
		653	P653AT507291001		
	Body-to-Body Assembly Clamps (Include FKM O-Ring). Clamp material is aluminum.	651	P651AT504958003		
		652	P652AT502466003		
		653	P653AT507291003		
	End Plate Kit: Includes two end plates and body-to-body assembly clamps & O-Ring. End plate material is aluminum.	NBR O-Ring	1/4 ISO228/1-G	651	T651AT504959002
			1/2 ISO228/1-G	652	T652AT502468002
			1 ISO228/1-G	653	T653AT507292002
			1 1/4 ISO228/1-G	653	T653AT507292020
		FKM O-Ring	1/4 ISO228/1-G	651	T651AT504959008
			1/2 ISO228/1-G	652	T652AT502468008
			1 ISO228/1-G	653	T653AT507292008
			1 1/4 ISO228/1-G	653	T653AT507292026
	Wall/Panel Bracket Kit includes one bracket and two screws for attaching bracket to body clamp. Two brackets are required for mounting three or more products. One bracket is suitable for mounting two products. Material is aluminum.	651 652 653	P699AT502467001		
	Side Mounting Brackets (Includes two brackets): Designed for mounting single products to wall or panel, but is capable of handling up to 3 stations. Material is stainless steel. Recommended only for static applications (without vibration).	651	P651AT503860001		
		652	P652AT503860002		
		653	P653AT503860003		
	Panel Nut: Used for Regulators and Filter-Regulators where adjustment knob is fed through a panel and the panel nut is then used to secure the product to the panel. Material is polyamide.	651	P651AT513928001		
		652	P652AT513177001		
	Panel Nut & Bracket: The panel nut and bracket are used to mount a Regulator or Filter-Regulator to a wall or panel. Materials are stainless steel and polyamide.	651	P651AT503861001		
		652	P652AT503861002		
	Series Transition Kit: Includes two body clamps, transition plate and o-rings.	NBR O-Ring	651 to 652	T651AT519193001	
			652 to 653	T652AT519194001	
		FKM O-Ring	651 to 652	T651AT519193002	
			652 to 653	T652AT519194002	
	Series Transition Kit: Includes two body clamps, transition plate and o-rings.	NBR O-Ring	652 to 651	T652AT519193003	
			653 to 652	T653AT519194003	
		FKM O-Ring	652 to 651	T652AT519193004	
			653 to 652	T653AT519194004	

01815GB-2017/R02  
Availability, design and specifications are subject to change without notice. All rights reserved.

SERIES

651

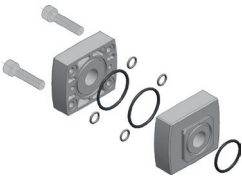
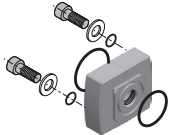
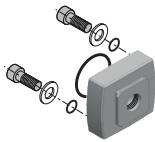
652

653




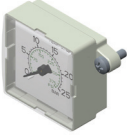
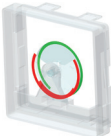
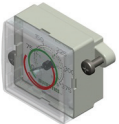
**Repair Kits and Service Parts**

**651/652/653 Series - Air Prep Assembly and Mounting Kits**

	Description			Series	Kit Number
	Panel Adapter P1 + P2 to mount product on both side of the panel. Certified NEMA 4 and IP66.	FKM O-Ring	not threaded	651	T651AT522204001
				652	T652AT519954001
	P2 Panel Adapter to connect P1 inlet. Certified NEMA 4 and IP66.	FKM O-Ring	1/2 ISO228/1-G	651	T651AT522204003
				652	T652AT519954003
	P1 Panel Adapter to connect P2 outlet. Certified NEMA 4 and IP66.	FKM O-Ring	1/2 ISO228/1-G	651	T651AT522204005
				652	T652AT519954005

## Repair Kits and Service Parts

### 651/652/653 Series - Spare Parts Kits


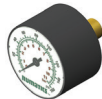


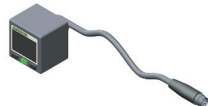
		Description	Series	Kit Number
No Gauge		No Gauge Cover Kit - NBR Seal. Includes gauge cover, screw and o-ring	651 652 653	M699AG503396001
		No Gauge Cover Kit - FPM Seal. Includes gauge cover, screw and o-ring	651 652 653	M699AG503396002
Integrated gauges*		Integrated Gauge - 651/652/653 Series: 0-6 bar Scale with NBR seals	651 652 653	M699AG438047002
		Integrated Gauge - 651/652/653 Series: 0-6 bar Scale with FPM seals	651 652 653	M699AG438047014
		Integrated Gauge - 651/652/653 Series: 0-12 bar Scale with NBR seals	651 652 653	M699AG438047001
		Integrated Gauge - 651/652/653 Series: 0-12 bar Scale with FPM seals	651 652 653	M699AG438047013
		Integrated Gauge - 653 Series and SOV: 0-25 bar Scale with NBR seals	651 652 653	M699AG438047003
		Integrated Gauge - 653 Series and SOV: 0-25 bar Scale with FPM seals	651 652 653	M699AG438047015
		Pressure Range Indicators (Red/Green) for low profile integrated gauges. Desired range can be easily set in the field. This kit allows customers to add the pressure range indicator to existing low profile integrated gauges in the field.	651 652 653	M699AG500179001
		Integrated Gauge with Pressure Range Indicators - 651/652/653 Series: 0-6 bar Scale with NBR seals	651 652 653	M699AG438047008
		Integrated Gauge with Pressure Range Indicators - 651/652/653 Series: 0-12 bar Scale with NBR seals	651 652 653	M699AG438047007
		Integrated Gauge with Pressure Range Indicators - 653 Series and Shut-off Isolation Valves: 0-25 bar Scale with NBR seals	651 652 653	M699AG438047009

\* Each of the Integrated and Round Gauges are dual scale. The scale that is listed in the description has the units located near the outside of the scale. The other units would be on the inside.

Note: For all pressure switches & round gauges that are added to the 651/652/653 series products in the field, a port plate is required. The port plate can be added at the time of order entry or as a kit.

## Repair Kits and Service Parts

### 651/652/653 Series - Spare Parts Kits








		Description	Series	Kit Number
Digital Gauge		Digital Pressure Gauge - 651/652/653 Series: 0-145 PSI Scale (User can change units; bar,MPa, Kg/cm <sup>2</sup> ) 1/8" ISO 7/1 Rc	651 652 653	M699AG504650002
Round Gauges*		Round Gauge - 0-4 bar 1/8 ISO 7/1 Rc and 40 mm Face Diameter	651 652 653	34300015
		Round Gauge - 0-10 bar 1/8 ISO 7/1 Rc and 40 mm Face Diameter	651 652 653	34300014
		Round Gauge - 0-12 bar 1/8 ISO 7/1 Rc and 40 mm Face Diameter	651 652 653	34300041
		Round Gauge - 0-25 bar 1/8 ISO 7/1 Rc and 50 mm Face Diameter	651 652 653	34200063
		Round Gauge - 0-4 bar 1/8 ISO 7/1 Rc and 50 mm Face Diameter	651 652 653	34200061
		Round Gauge - 0-12 bar 1/8 ISO 7/1 Rc and 50 mm Face Diameter	651 652 653	34200062
		Stainless Steel Round Gauge - 0-12 bar 1/8 ISO 7/1 Rc and 50 mm Face Diameter	651 652 653	34303242
Port Plates		Gauge Port Plate Assembly - 1/8 ISO 7/1 Rc	651 652 653	M699AG440510002
Pressure Switch/Sensor		DPS280 Pressure Switch/Sensor - NPN M8 with Cable 1/8 ISO 7/1 Rc	651 652 653	DPS280NRQ8
		DPS280 Pressure Switch/Sensor - PNP M8 with Cable 1/8 ISO 7/1 Rc	651 652 653	DPS280PRQ8

\* Each of the Integrated and Round Gauges are dual scale. The scale that is listed in the description has the units located near the outside of the scale. The other units would be on the inside.

Note: For all pressure switches & round gauges that are added to the 651/652/653 series products in the field, a port plate is required. The port plate can be added at the time of order entry or as a kit.

## Repair Kits and Service Parts

### 651/652/653 Series - Spare Parts Kits

		Description	Series	Kit Number
Lubricator Repair Kits		Lubricator dome repair kit - NBR seals. Includes dome cover, screw and o-rings.	651 652 653	M699AY506842001
		Lubricator dome repair kit - FKM seals. Includes dome cover, screw and o-rings.	651 652 653	M699AY506842002
		Lubricator Level Switch assembly kit. Includes level switch, stainless steel retainer ring, o-ring and bushing.	651 652 653	M699AG506837001
		Lubricator Bowl Plug assembly: Includes Lubricator bowl plug, stainless steel retainer ring and NBR o-ring.	651 652 653	M699AQ440512001
		Particulate Filter Repair Kit - Includes the filter retainer, head baffle, lower end cap and bowl baffle.	651	M651AY570170001
652			M652AY506833001	
653			M653AY514105001	
Filter Kits		Differential Pressure Pop-Up Indicator (NBR Seals). This is used for the Coalescing Filters to provide visual indication when the filter element needs to be replaced.	651 652 653	M699AG439851001
		Differential Pressure Pop-Up Indicator (FKM Seals). This is used for the Coalescing Filters to provide visual indication when the filter element needs to be replaced.	651 652 653	M699AG439851004
		DPI Plug (NBR Seals). This is used to plug the top port on the filter when a Differential Pressure Indicator is not used.	651 652 653	M699AG439851002
		DPI Plug (FKM Seals). This is used to plug the top port on the filter when a Differential Pressure Indicator is not used.	651 652 653	M699AG439851005
		Electric Differential Pressure Indicator (NBR Seals). This is used for the Coalescing Filter only. It provides a contact that will actuate when the filter element needs to be replaced.	651 652 653	M699AG439851003



01815GB-2017/R02  
Availability, design and specifications are subject to change without notice. All rights reserved.

## Repair Kits and Service Parts

### 651/652/653 Series - Spare Parts Kits

	Description	Series	Kit Number	
Regulator & Filter Regulator Kits		651	M651AY514012001	
		652	M652AY506952001	
		653	M653AY514104001	
		651	M651AY514012002	
		652	M652AY506952002	
		653	M653AY514104002	
		651	M651AY514012003	
		652	M652AY506952003	
		653	M653AY514104003	
		651	M651AY519042001	
		652	M652AY519042003	
		653	M653AY519042005	
		651	M651AY519042002	
		652	M652AY519042004	
		653	M653AY519042006	
		Poppet Repair Kit (NBR Seals): Includes poppet, stem & seals.	651	M651AY507175001
			652	M652AY506863001
			653	M653AY507270001
		Poppet Repair Kit (FKM Seals): Includes poppet, stem & seals.	651	M651AY507175002
			652	M652AY506863002
			653	M653AY507270002
		Diaphragm Assembly Repair Kit (Pilot Operated Regulator NBR Seals).	652	M652AH435268001
		Diaphragm Assembly Repair Kit (Pilot Operated Regulator FKM Seals).	652	M652AH435268002
		Diaphragm Assembly Repair Kit (Relieving Regulator NBR Seals)	651	M651AH504954001
			652	M652AH434213001
			653	M653AH502120001
		Diaphragm Assembly Repair Kit (Relieving Regulator FKM Seals)	651	M651AH504954002
			652	M652AH434213002
			653	M653AH502120002
		Diaphragm Assembly Repair Kit (Non-Relieving Regulator NBR Seals)	651	M651AH504954003
652			M652AH434213003	
653			M653AH502120003	
Diaphragm Assembly Repair Kit (Non-Relieving Regulator - FKM Seals)		651	M651AH504954004	
		652	M652AH434213004	
		653	M653AH502120004	
	Main Spring (3 bar)	651	M651AY514010001	
		652	M652AY513313001	
		653	M653AY516711001	
	Main Spring (4 bar)	651	M651AY504691001	
		652	M652AY438708001	
		653	M653AY516710001	
	Main Spring (8 bar)	651	M651AY504692001	
		652	M652AY438709001	
		653	M653AY516709001	
	Main Spring (10 bar)	651	M651AY514011001	
		652	M652AY513314001	
		653	M653AY516708001	

**Repair Kits and Service Parts**  
**651/652/653 Series - Spare Parts Kits**

		Description	Series	Part/Kit Number
<b>3/2 Slow Start - Quick Exhaust Valve Kits</b>		Horizontal Solenoid Operator (190) - With Impulse Manual Operator	651 652	19090017
		Horizontal Solenoid Operator (190) - Without Manual Override	651 652	19090005
		24 VDC coil with 4 Pin M12 Connection, for 190 Pilot Horizontal Solenoid Operator	651 652	43005525
		24 VDC coil with DIN Spade connection for 190 Pilot Horizontal Solenoid Operator	651 652	43004473
		120 VAC coil with DIN Spade connection for 190 Pilot Horizontal Solenoid Operator	651 652	43004471
		24 VAC coil with DIN Spade connection for 190 Pilot Horizontal Solenoid Operator	651 652	43004469
		240 VAC coil with DIN Spade connection for 190 Pilot Horizontal Solenoid Operator	651 652	43004472
		DIN Connector, without LED - 190 Pilot Horizontal Solenoid Operator	651 652	88122602
		DIN Connector, with LED, for 24 VAC/DC coil - 190 Pilot Horizontal Solenoid Operator	651 652	88122603
		DIN Connector, with LED, for 120 VAC coil - 190 Pilot Horizontal Solenoid Operator	651 652	88122605
	DIN Connector, with LED, for 240 VAC coil - 190 Pilot Horizontal Solenoid Operator	651 652	88122608	
		Vertical Solenoid Operator (189) - Without Manual Override	651 652	18990007
		24 VDC coil with 4 Pin M12 Connection, for 189 Pilot Vertical Solenoid Operator	651 652	43005523
		24 VDC coil with DIN Spade connection for 189 Pilot Vertical Solenoid Operator	651 652	43004166
		120 VAC coil with DIN Spade connection for 189 Pilot Vertical Solenoid Operator	651 652	43004419
		24 VAC coil with DIN Spade connection for 189 Pilot Vertical Solenoid Operator	651 652	43004416
		240 VAC coil with DIN Spade connection for 189 Pilot Vertical Solenoid Operator	651 652	43004422
		DIN Connector, without LED - 189 Pilot Vertical Solenoid Operator	651 652	88122404
		DIN Connector, with LED, for 24 VAC/DC coil - 189 Pilot Vertical Solenoid Operator	651 652	88122405
		DIN Connector, with LED, for 120 VAC coil - 189 Pilot Vertical Solenoid Operator	651 652	88122407
DIN Connector, with LED, for 240 VAC coil - 189 Pilot Vertical Solenoid Operator		651 652	88122410	

01815GB-2017/R02  
 Availability, design and specifications are subject to change without notice. All rights reserved.

SERIES

651


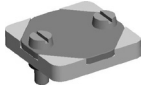
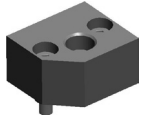
652

653






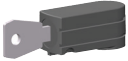
**Repair Kits and Service Parts**

**651/652/653 Series - Spare Parts Kits**

		Description	Series	Part/Kit Number
3/2 Slow Start - Quick Exhaust Valve Kits		Horizontal Solenoid Operator (192) - With Impulse Manual Operator	653	19291012
		Horizontal Solenoid Operator (192) - Without Manual Override	653	19291010
		24 VDC coil with 4 Pin M12 Connection, for 192 Pilot Horizontal Solenoid Operator	653	43005664
		24 VDC coil with DIN Spade connection for 192 Pilot Horizontal Solenoid Operator	653	43005642
		115 VAC/120 VAC coil with DIN Spade connection for 192 Pilot Horizontal Solenoid Operator	653	43005617
		24 VAC coil with DIN Spade connection for 192 Pilot Horizontal Solenoid Operator	653	43005604
		230 VAC/240 VAC coil with DIN Spade connection for 192 Pilot Horizontal Solenoid Operator	653	43005627
		DIN Connector, without LED - 192 Pilot Horizontal Solenoid Operator	653	88122602
		DIN Connector, with LED, for 24 VAC/DC coil - 192 Pilot Horizontal Solenoid Operator	653	88122603
		DIN Connector, with LED, for 115 VAC/120 VAC coil - 192 Pilot Horizontal Solenoid Operator	653	88122605
		DIN Connector, with LED, for 230 VAC/240 VAC coil - 192 Pilot Horizontal Solenoid Operator	653	88122608
Jumper Plate Kit		Jumper Plate Kit: For Air Operated Internally Piloted 3/2 Slow Start-QE Valve	651 652 653	M699AY513316001
Pilot Port Plate		Pilot Port Plate: For Air Operated Externally Piloted 3/2 Slow Start-QE Valve, 1/8 ISO 7/1 Rc	651 652 653	M699AY513318001
		Pilot Port Plate: For Air Operated Externally Piloted 3/2 Slow Start-QE Valve, 1/8 NPTF	651 652 653	M699AY513318002



**Repair Kits and Service Parts**  
**651/652/653 Series - Accessories**

		Description	Series	Part Number
<b>Scissor Lock</b>		Scissor Lock for Shut-Off Isolation Valve & Lockout Valve	651 652 653	VB-1
<b>Mufflers/Silencers</b>		Metal Muffler – G 1/4 (Shut-Off Isolation Valves)	651 652	M2MB
		Metal Muffler – G 3/8 (Shut-Off Isolation Valves)	653	M3MB
		Metal Muffler – G 1/2 (Slow-Start/Quick Exhaust & Lockouts)	652	M4MB
		Metal Muffler – G 1 (Slow-Start/Quick Exhaust & Lockouts)	653	M6MB
		Polyethylene Muffler – G 1/4 (652 - Shut-Off Isolation Valve / 651 - Slow-Start/Quick Exhaust Valves)	651 652	34600407
		Polyethylene Muffler – G 3/8 (653 - Shut-Off Isolation Valve)	653	34600408
Polyethylene Muffler – G 1/2 (Slow-Start/Quick Exhaust & Lockouts)		652	34600409	
<b>Key Locking Device</b>		Key Locking Device for regulator (Lock supplied separately with 2 keys)	651 652 653	M699AY438663001

SERIES

651

652

653





# ASCO<sup>TM</sup> NUMATICS



Scan to see digital version on [ASCO.com](http://ASCO.com)

10000 (R2b) • 3839402 • 06/2018



The Emerson logo is a trademark and a service mark of Emerson Electric Co. © 2018 Emerson Electric Co.

