

MANIFOLD GAUGE

- Recalibrator and Restrictor Standard
- Color Coded Cases, "Reds" & "Blues"
- Overpressure Protection to 350 psi

These gauges are designed for the pressure measurement of refrigeration systems. All dials are furnished with corresponding temperature scales for the various refrigerants. Dials feature R-12, R-22, and R-502. Standard connections are 1/8" NPT lower mount with your choice of red or blue case.

Marsh Manifold Gauges are used in refrigeration applications for testing, servicing, and recharging AC and R Systems.



STANDARD RANGES & PART NUMBERS

TYPE		MANIFOLD GAUGES				
Size	2 1/2"					
Case Material	Steel					
Internals	Copper Alloy					
Mounting/Case Style	LM					
Connection	1/8" NPT					
Scale Standard	psi & temperature (°F)					
30" X 350 psi	W0011	R-12, 22, 502	Blue Case	Carton		
30" X 350 psi	W0011Q	R-12, 22, 502	Blue Case	Clam Shell		
0 to 500 psi	W0023	R-12, 22, 502	Red Case	Carton		
0 to 500 psi	W0023Q	R-12, 22, 502	Red Case	Clam Shell		
30" X 350 psi	W8011	R-134a, 404A & 507	Blue Case	Carton		
30" X 350 psi	W8011Q	R-134a, 404A & 507	Blue Case	Clam Shell		
0 to 500 psi	W8023	R-134a, 404A & 507	Red Case	Carton		
0 to 500 psi	W8023Q	R-134a, 404A & 507	Red Case	Clam Shell		
30" X 500 psi	W8015	R-22, 407C & 410A	Blue Case	Carton		
30" X 500 psi	W8015Q	R-22, 407C & 410A	Blue Case	Clam Shell		
0 to 800 psi	W8027	R-22, 407C & 410A	Red Case	Carton		
0 to 800 psi	W8027Q	R-22, 407C & 410A	Red Case	Clam Shell		
30" X 350 psi	J7622PQ-001	R-12, 22, 502	S/S Case	Clam Shell	Liquid Filled	
0 to 500 psi	J7662PQ-001	R-12, 22, 502	S/S Case	Clam Shell	Liquid Filled	
30" X 350 psi	J7622PQ-002	R-134a, 404A & 507	S/S Case	Clam Shell	Liquid Filled	
0 to 500 psi	J7662PQ-002	R-134a, 404A & 507	S/S Case	Clam Shell	Liquid Filled	

SPECIFICATIONS

ACCURACY
ASME Grade B - ± 3/2/3% (2% of range across middle half of scale)

CASE SIZE: 2 1/2" diameter

CASE MATERIAL
Steel or plastic, red or blue

TUBE & SOCKET
Copper alloy

MOVEMENT
Brass with recalibrator

CONNECTION
1/8" NPT with Restrictor Standard

RANGES
0-500 psi, 30" Hg VAC to 120 psi retarded to 350 psi

DIAL STANDARD
psi with corresponding temperature scales

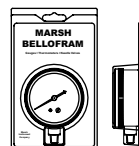
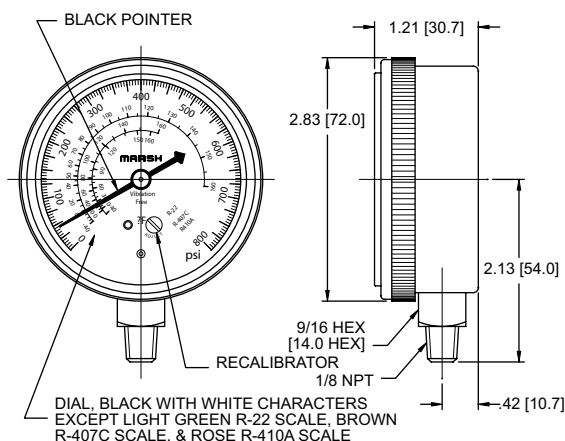
DIAL COLOR
Black markings on white with red or blue temperature scales

POINTER
Aluminum, black painted

WINDOW
Impact resistant plastic

RECALIBRATOR
Standard

WEIGHT 0.5 lb



ALL DIMENSIONS ARE NOMINAL