

Fine setting valves



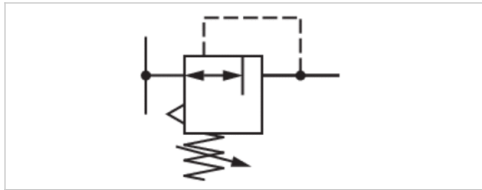
AVENTICS™ Fine setting valves

Fine setting valve

- Qn = 900 l/min
- Actuating element Push button
- Internal thread
- Poppet valve



Version	Poppet valve
Working pressure min./max.	See table below
Adjustment range min./max.	See table below
Ambient temperature min./max.	-25 ... 70 °C
Medium temperature min./max.	-25 ... 70 °C
Medium	Compressed air
Nominal flow Qn	900 l/min
Hysteresis	0.15 bar
control stroke	7.5 mm
Weight	0.5 kg



Technical data

Part No.	Compressed air connection Input	Compressed air connection type Input	Compressed air connection Output
3610507100	G 1/4	Internal thread	G 1/4
3610507200	G 1/4	Internal thread	G 1/4
3610507300	G 1/4	Internal thread	G 1/4
3610507500	G 1/4	Internal thread	G 1/4
3610507600	G 1/4	Internal thread	G 1/4
3610507700	G 1/4	Internal thread	G 1/4

Part No.	Working pressure min./max.	Adjustment range min./max.	actuating force min.
3610507100	0.1 ... 10 bar	0.1 ... 2.6 bar	110 N
3610507200	0.1 ... 10 bar	0.1 ... 3.6 bar	140 N
3610507300	0.1 ... 10 bar	0.1 ... 4.1 bar	160 N
3610507500	0.1 ... 10 bar	0.1 ... 5.1 bar	190 N
3610507600	0.1 ... 10 bar	0.1 ... 7.1 bar	250 N
3610507700	0.1 ... 12 bar	0.1 ... 10.1 bar	350 N

Part No.	Parallel pressure displacement
3610507100	1.4 bar
3610507200	1.4 bar
3610507300	1.4 bar
3610507500	1.4 bar

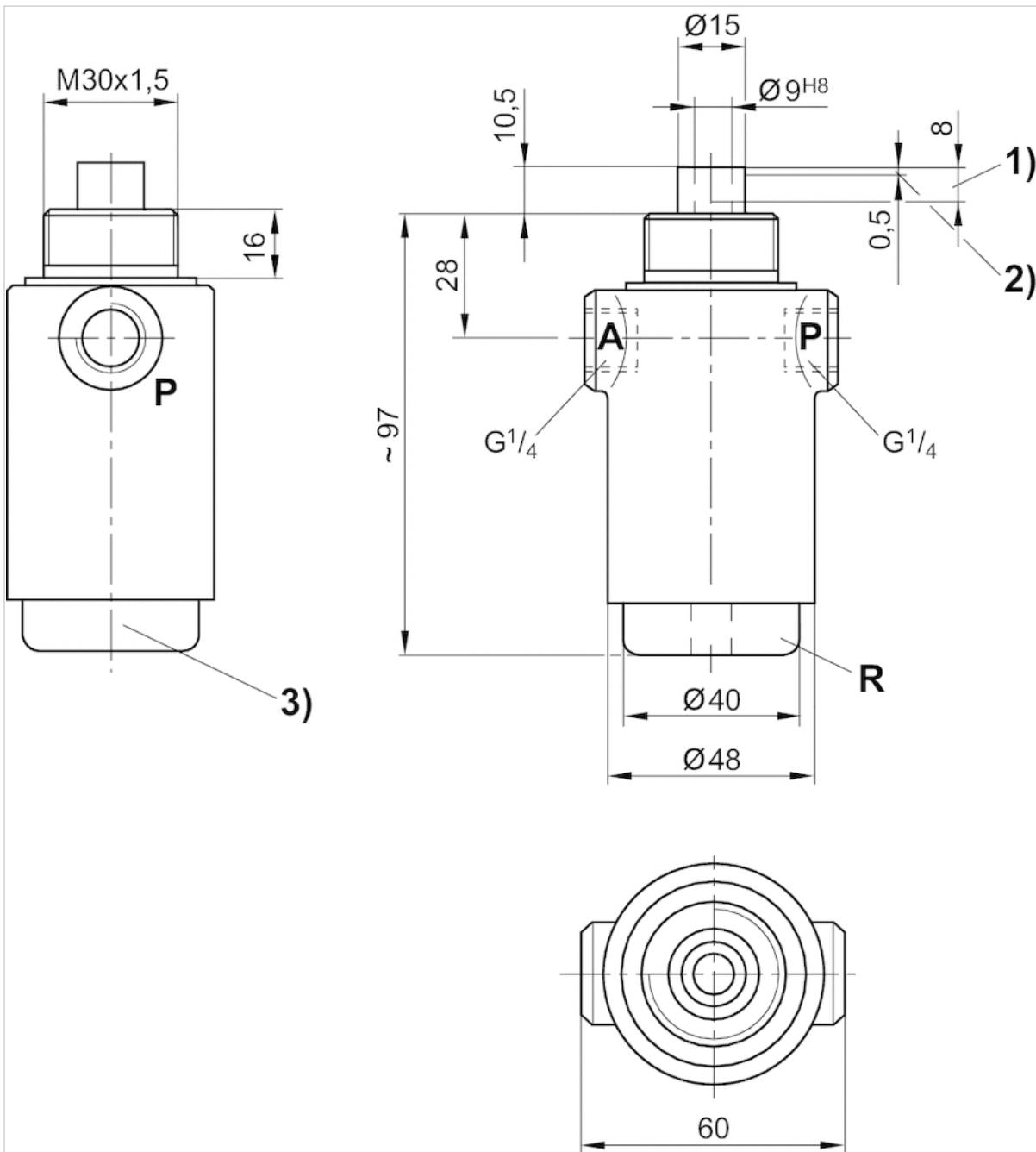
Part No.	Parallel pressure displacement
3610507600	0.8 bar
3610507700	-

Technical information

Material	
Housing	Die cast zinc
Seals	Acrylonitrile butadiene rubber

Dimensions

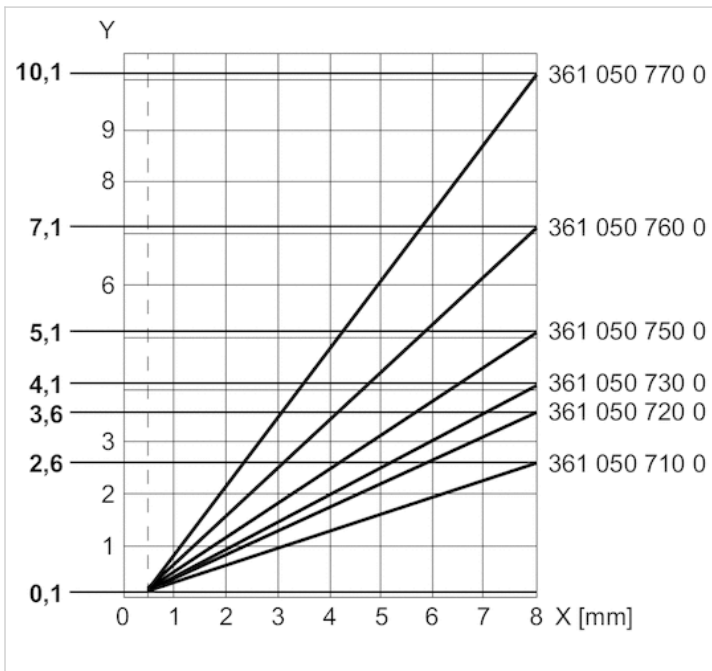
Dimensions



- 1) Stroke 2) Closing or exhaust stroke 3) Screw cap
- A = connection output
- P = connection input
- R = Port exhaust

Diagrams

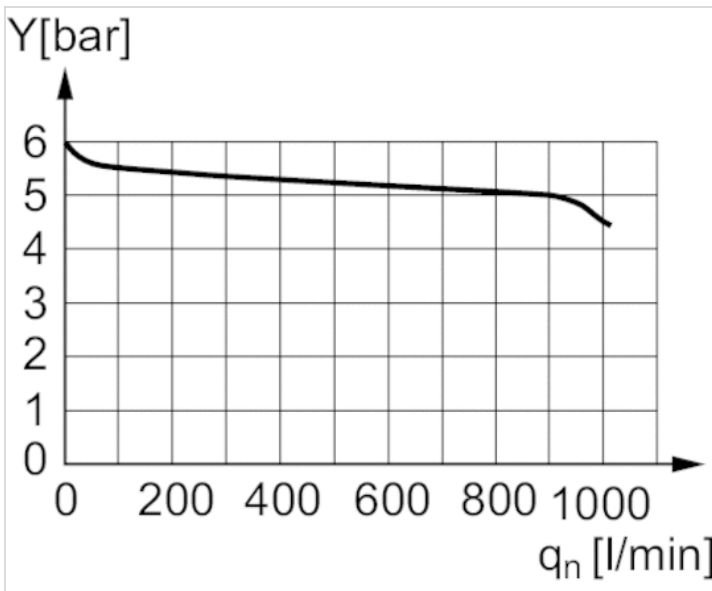
Pressure characteristics curve



x = stroke

The characteristic curve can be moved parallel to the illustrated characteristic curve (in the y direction) using the screw cap.

Flow rate characteristic



input pressure: 8 bar, supply pressure: 6 bar

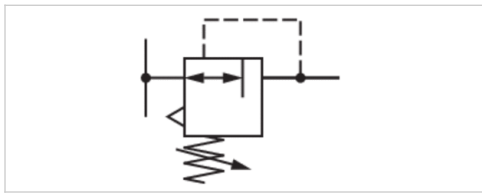
y: pressure in line "A" [bar]

Fine setting valve

- Qn = 900 l/min
- Actuating element Push button
- additional pilot connection G 1/4
- Internal thread / Internal thread
- Poppet valve



Version	Poppet valve
Working pressure min./max.	0.1 ... 10 bar
Adjustment range min./max.	0.1 ... 5.1 bar
Ambient temperature min./max.	-25 ... 70 °C
Medium temperature min./max.	-25 ... 70 °C
Medium	Compressed air
Nominal flow Qn	900 l/min
Hysteresis	0.15 bar
control stroke	7.5 mm
Weight	0.6 kg



Technical data

Part No.	Compressed air connection Input	Compressed air connection type Input	Compressed air connection Output
3610547500	G 1/4	Internal thread	G 1/4

Part No.	Compressed air connection type Output	Compressed air connection pilot air	actuating force min.
3610547500	Internal thread	G 1/4	100 N

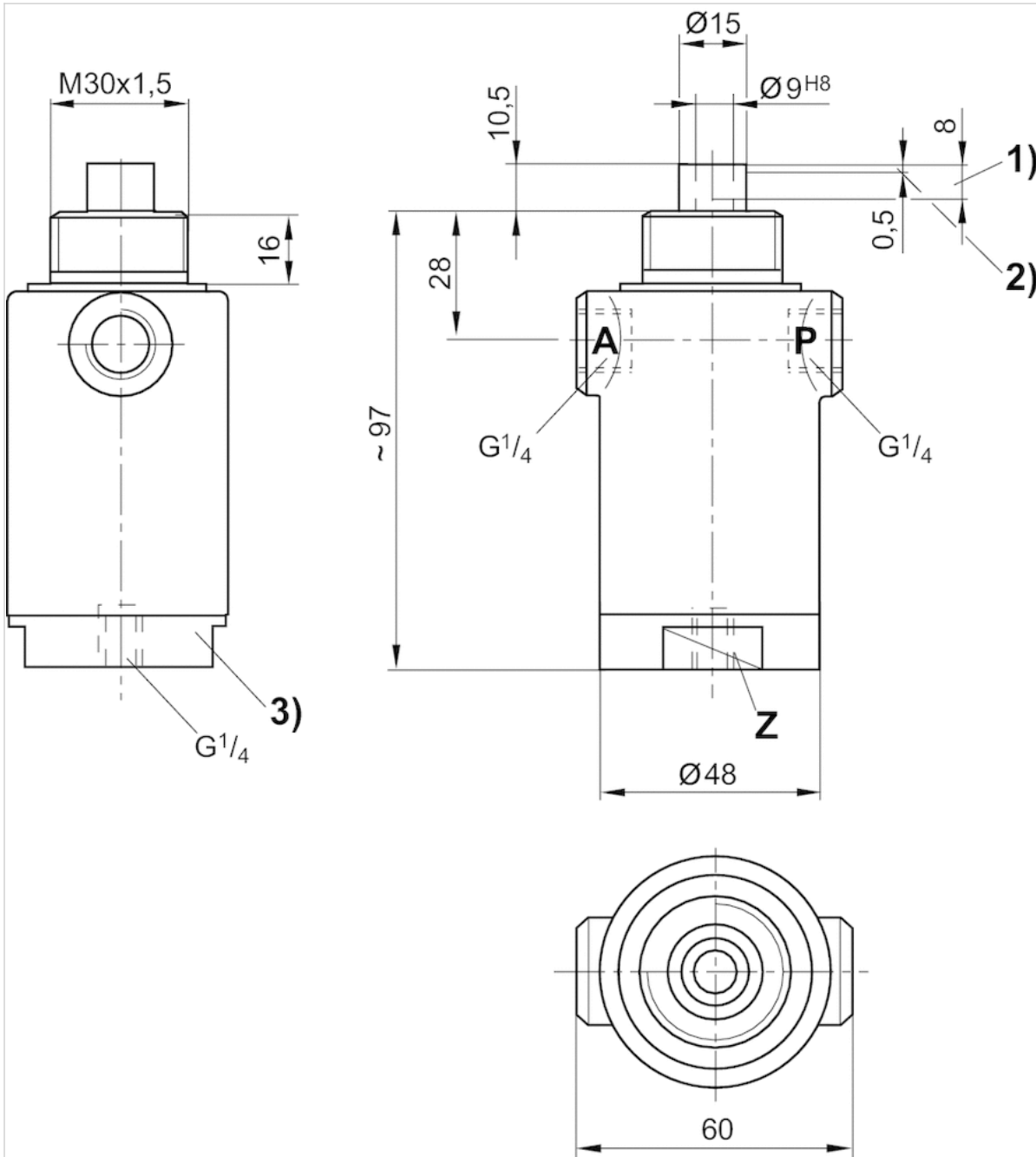
operating force F[N] dependent on pressure in port A

Technical information

Material	
Housing	Die cast zinc
Seals	Acrylonitrile butadiene rubber

Dimensions

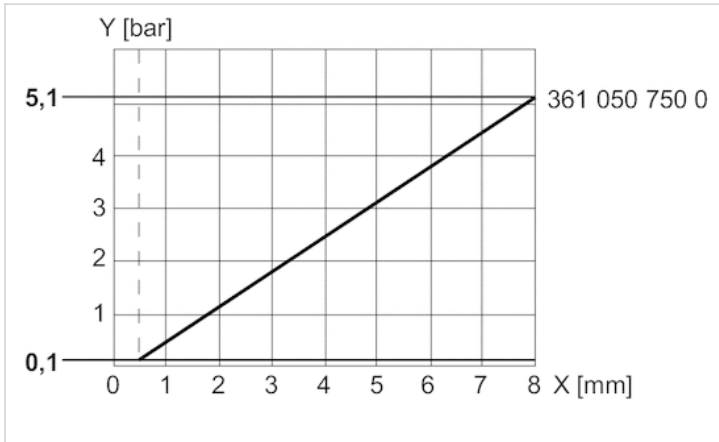
Dimensions



- 1) Stroke 2) Closing or exhaust stroke 3) Screw cap
- A = connection output
- P = connection input
- Z = control line connection

Diagrams

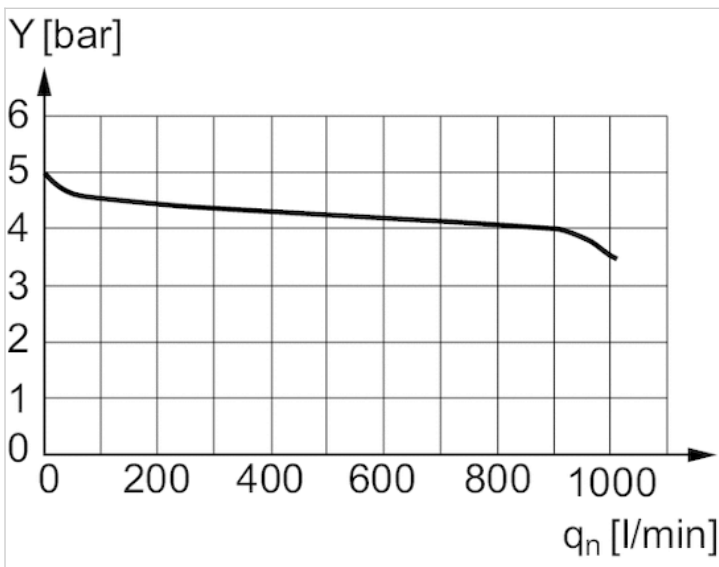
Pressure characteristics curve



x = stroke

When pressurizing port Z, pressure in the operating line (port A) increases by the pressure applied at port Z. The pressure at port A may not exceed the pressure at port P.

Flow rate characteristic



input pressure: 8 bar, supply pressure: 6 bar

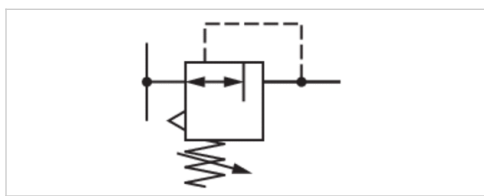
y: pressure in line "A" [bar]

Fine setting valve

- Qn = 900 l/min
- Actuating element handwheel
- Internal thread
- Poppet valve



Version	Poppet valve
Working pressure min./max.	See table below
Adjustment range min./max.	See table below
Ambient temperature min./max.	-25 ... 70 °C
Medium temperature min./max.	-25 ... 70 °C
Medium	Compressed air
Nominal flow Qn	900 l/min
Hysteresis	0.15 bar
Weight	0.6 kg



Technical data

Part No.	Compressed air connection Input	Compressed air connection type Input	Compressed air connection Output
3610607000	G 1/4	Internal thread	G 1/4
3610607100	G 1/4	Internal thread	G 1/4
3610607200	G 1/4	Internal thread	G 1/4
3610607300	G 1/4	Internal thread	G 1/4
3610607400	G 1/4	Internal thread	G 1/4
3610607500	G 1/4	Internal thread	G 1/4
3610607600	G 1/4	Internal thread	G 1/4
3610607700	G 1/4	Internal thread	G 1/4

Part No.	Working pressure min./max.	Adjustment range min./max.	Parallel pressure displacement
3610607000	0.1 ... 10 bar	0.1 ... 1.1 bar	1.3 bar
3610607100	0.1 ... 10 bar	0.1 ... 2.6 bar	1.4 bar
3610607200	0.1 ... 10 bar	0.1 ... 3.6 bar	1.4 bar
3610607300	0.1 ... 10 bar	0.1 ... 4.1 bar	1.4 bar
3610607400	0.1 ... 10 bar	0.1 ... 4.6 bar	1.4 bar
3610607500	0.1 ... 10 bar	0.1 ... 5.1 bar	1.4 bar
3610607600	0.1 ... 10 bar	0.1 ... 7.1 bar	0.8 bar
3610607700	0.1 ... 12 bar	0.1 ... 10.1 bar	-

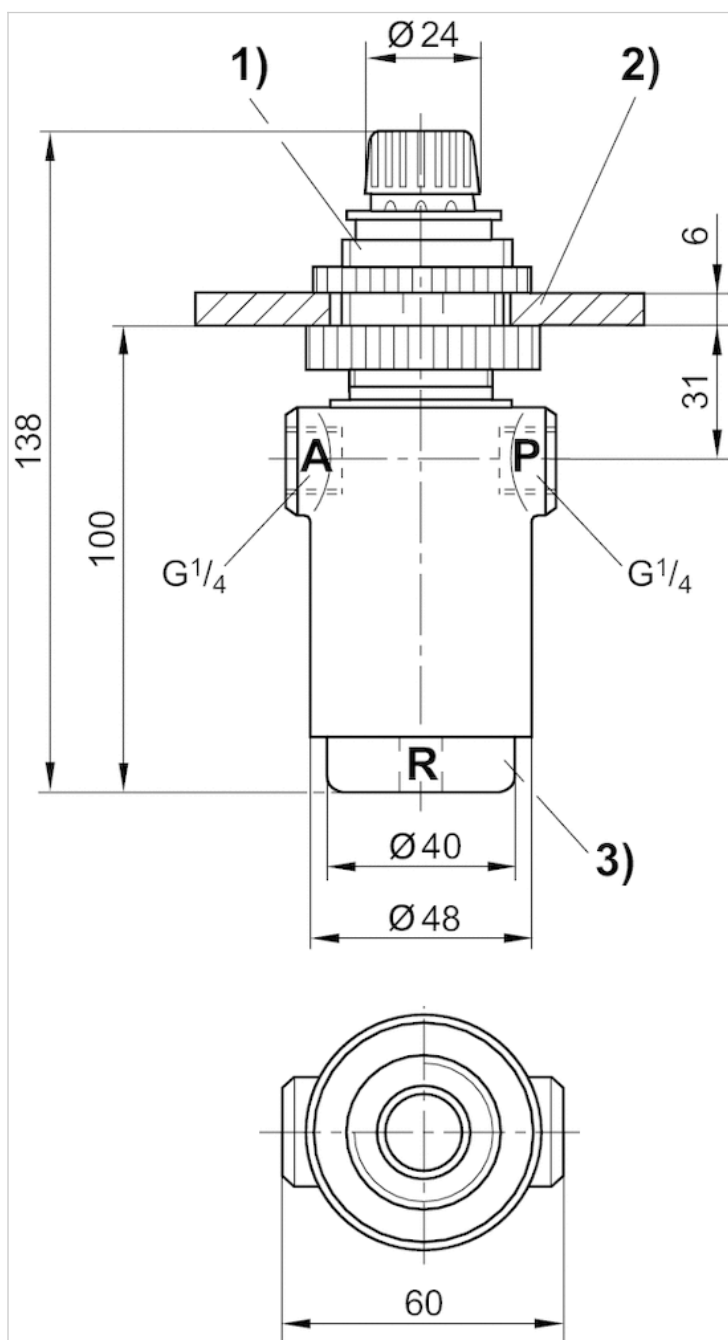
Technical information

Material

Housing	Die cast zinc
Seals	Acrylonitrile butadiene rubber

Dimensions

Dimensions



1) The handwheel can be adjusted once the locking ring has been pulled up.

2) hole for mounting plate $\text{Ø}31$ mm

3) screw cap

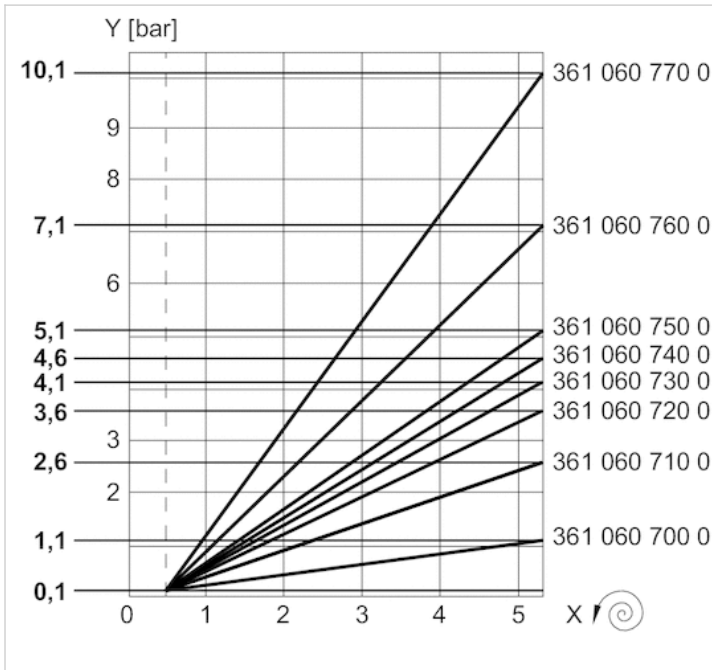
A = connection output

P = connection input

R = Port exhaust

Diagrams

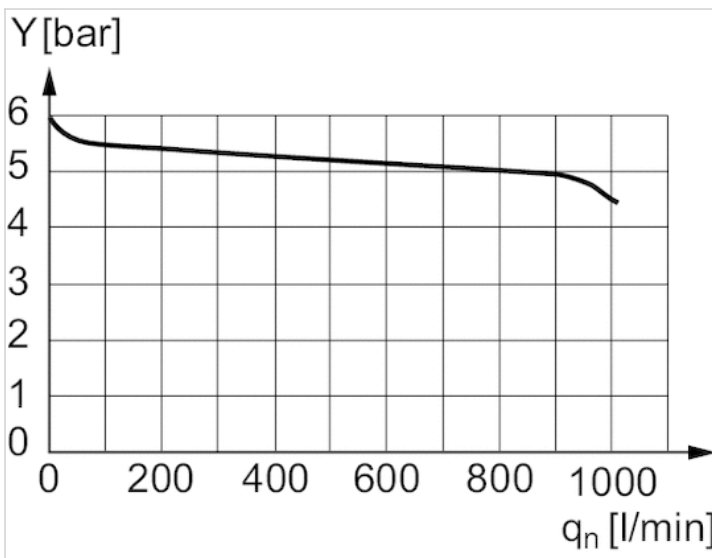
Pressure characteristics curve



x = rotations of the handwheel

The characteristic curve can be moved parallel to the illustrated characteristic curve (in the y direction) using the screw cap.

Flow rate characteristic



input pressure: 8 bar, supply pressure: 6 bar

y: pressure in line "A" [bar]

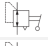

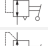

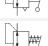
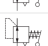

Fine setting valve

- Qn = 900 l/min
- Actuating element Hand lever
- Internal thread
- Poppet valve



Version	Poppet valve
Working pressure min./max.	See table below
Adjustment range min./max.	See table below
Ambient temperature min./max.	-25 ... 70 °C
Medium temperature min./max.	-25 ... 70 °C
Medium	Compressed air
Nominal flow Qn	900 l/min
Hysteresis	0.15 bar
Weight	1.2 kg

Technical data

Part No.		Compressed air connection Input	Compressed air connection type Input	Compressed air connection Output
3610628300		G 1/4	Internal thread	G 1/4
3610628400		G 1/4	Internal thread	G 1/4
3610628500		G 1/4	Internal thread	G 1/4
3610628600		G 1/4	Internal thread	G 1/4
3610628700		G 1/4	Internal thread	G 1/4
3610628330		G 1/4	Internal thread	G 1/4
3610628630		G 1/4	Internal thread	G 1/4

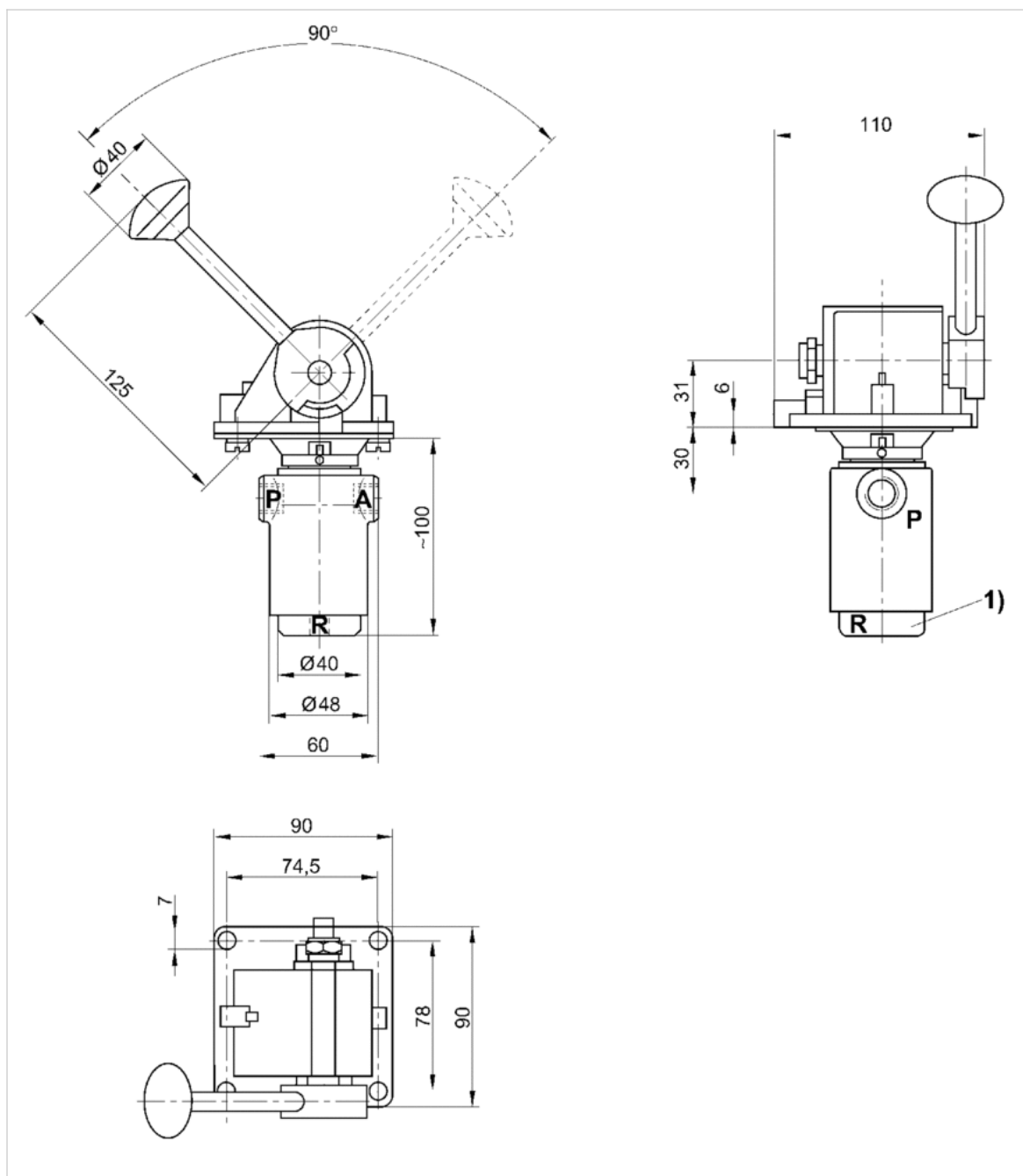
Part No.	Working pressure min./max.	Adjustment range min./max.
3610628300	0.1 ... 10 bar	0.1 ... 4.1 bar
3610628400	0.1 ... 10 bar	0.1 ... 4.6 bar
3610628500	0.1 ... 10 bar	0.1 ... 5.1 bar
3610628600	0.1 ... 10 bar	0.1 ... 7.1 bar
3610628700	0.1 ... 12 bar	0.1 ... 10.1 bar
3610628330	0.1 ... 10 bar	0.1 ... 4.1 bar
3610628630	0.1 ... 10 bar	0.1 ... 7.1 bar

Technical information

Material	
Housing	Die cast zinc
Seals	Acrylonitrile butadiene rubber

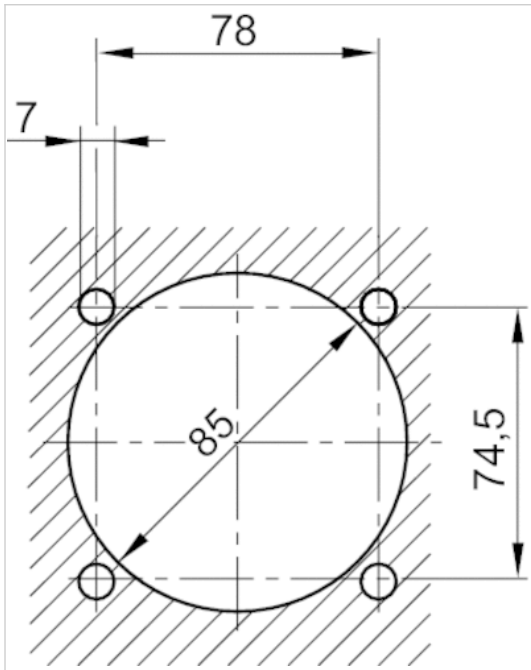
Dimensions

Dimensions



- 1) Screw cap
- A = connection output
- P = connection input
- R = Port exhaust

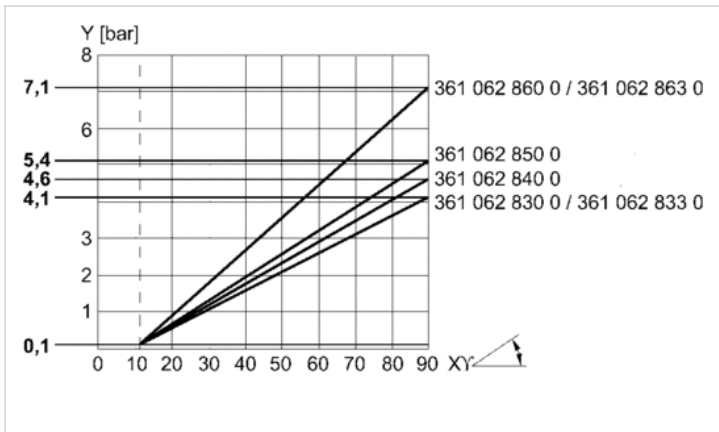
Cut-out in the mounting plate



Mounting plate max. 10 mm thick

Diagrams

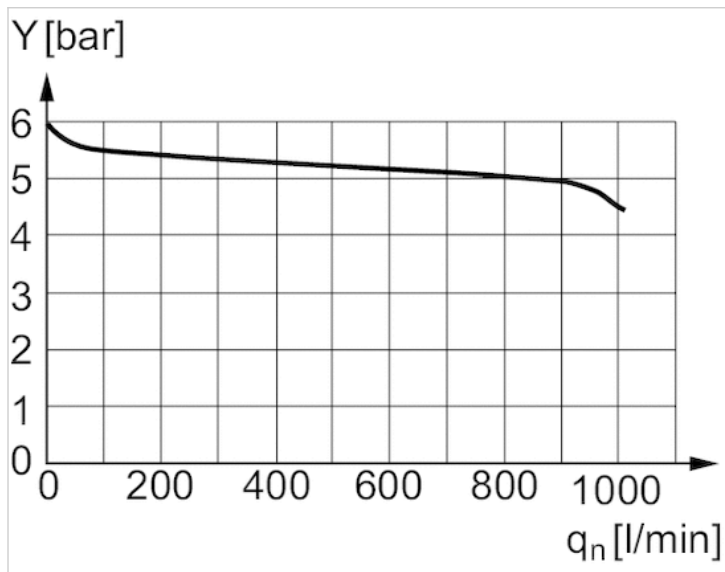
Pressure characteristics curve



x = lever path

The characteristic curve can be moved parallel to the illustrated characteristic curve (in the y direction) using the screw cap.

Flow rate characteristic



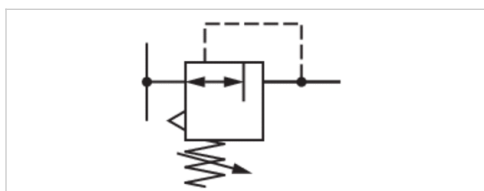
input pressure: 8 bar, supply pressure: 6 bar
y: pressure in line "A" [bar]

Fine setting valve

- Qn = 900 l/min
- Actuating element Pedal
- Internal thread
- Poppet valve



Version	Poppet valve
Working pressure min./max.	0.1 ... 10 bar
Adjustment range min./max.	See table below
Ambient temperature min./max.	-25 ... 70 °C
Medium temperature min./max.	-25 ... 70 °C
Medium	Compressed air
Nominal flow Qn	900 l/min
Hysteresis	0.15 bar
Weight	1.5 kg



Technical data

Part No.	Compressed air connection Input	Compressed air connection type Input	Compressed air connection Output
3610647100	G 1/4	Internal thread	G 1/4
3610647400	G 1/4	Internal thread	G 1/4
3610647500	G 1/4	Internal thread	G 1/4
3610647600	G 1/4	Internal thread	G 1/4

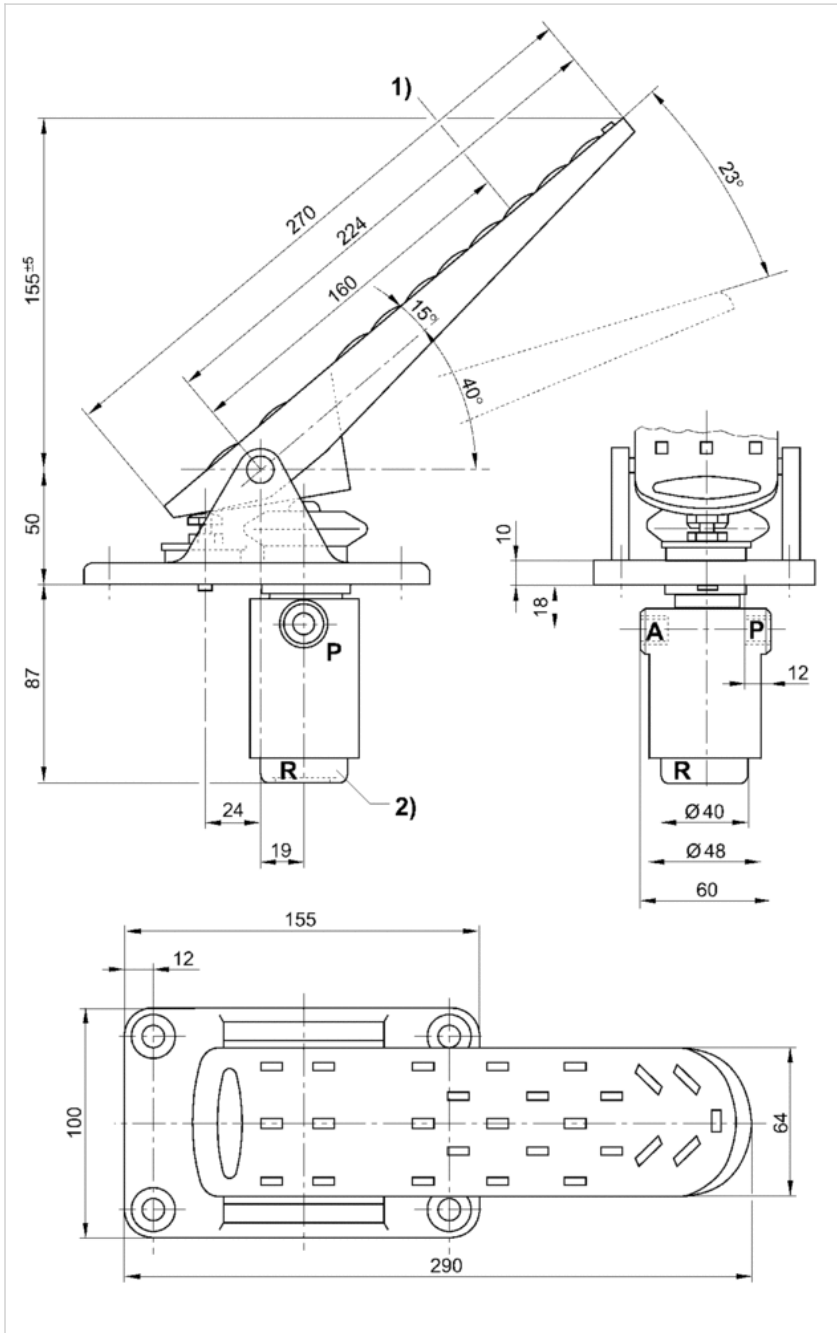
Part No.	Adjustment range min./max.	actuating force min.
3610647100	0.1 ... 2.6 bar	67 N
3610647400	0.1 ... 4.6 bar	77 N
3610647500	0.1 ... 5.1 bar	80 N
3610647600	0.1 ... 7.1 bar	90 N

Technical information

Material	
Housing	Die cast zinc
Seals	Acrylonitrile butadiene rubber

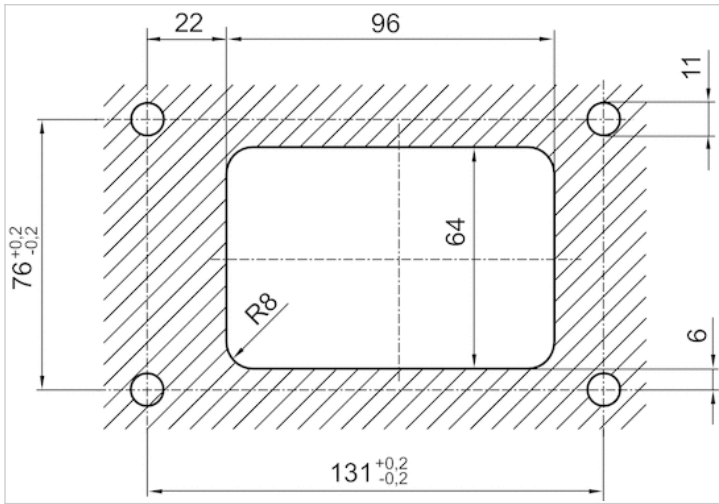
Dimensions

Dimensions



- 1) actuating force on the pedal
- 2) Screw cap
- A = connection output
- P = connection input
- R = Port exhaust

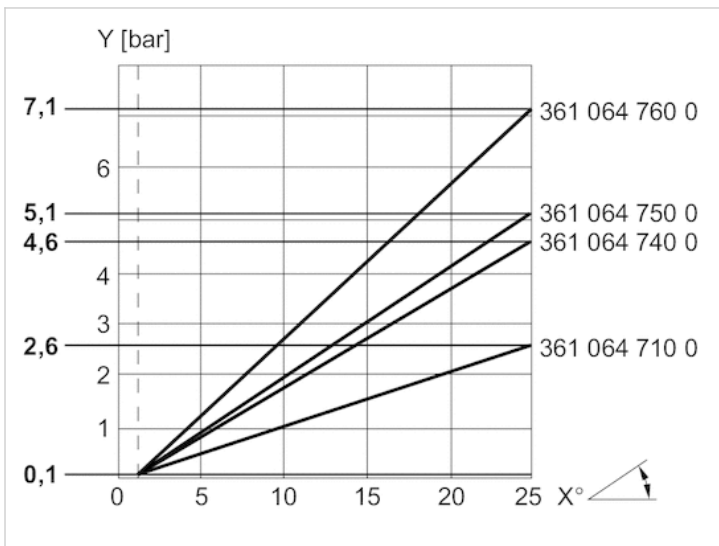
Cut-out in the mounting plate



Mounting plate max. 7 mm thick

Diagrams

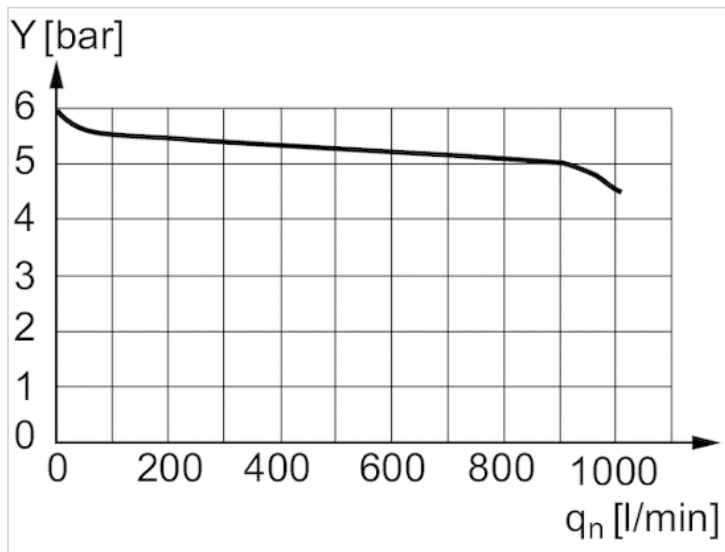
Pressure characteristics curve



x = pedal path

The characteristic curve can be moved parallel to the illustrated characteristic curve (in the y direction) using the screw cap.

Flow rate characteristic



y: pressure in operating line "A" [bar]

Accessories, Series Fine setting valves

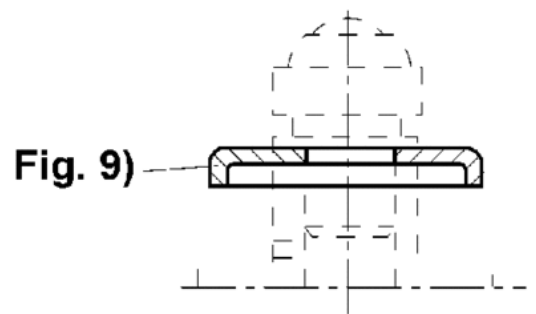
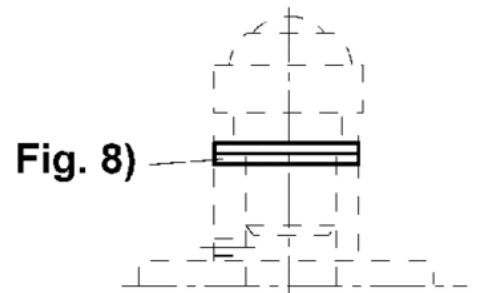
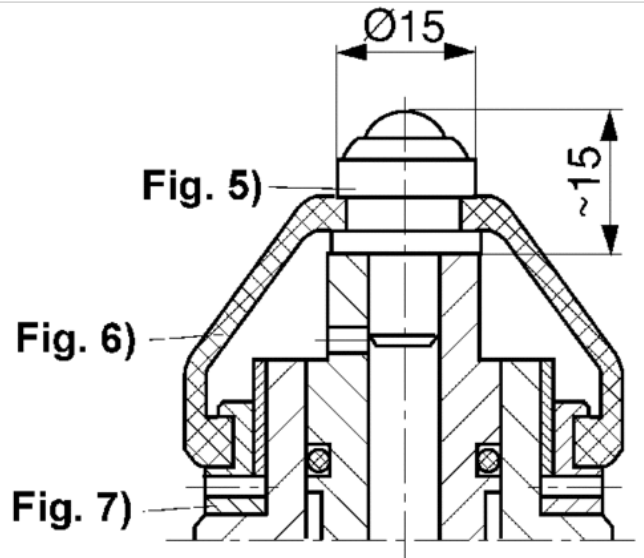
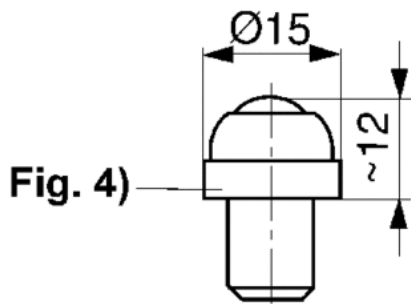
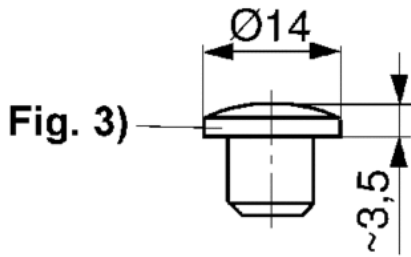
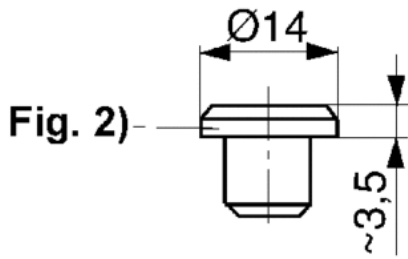
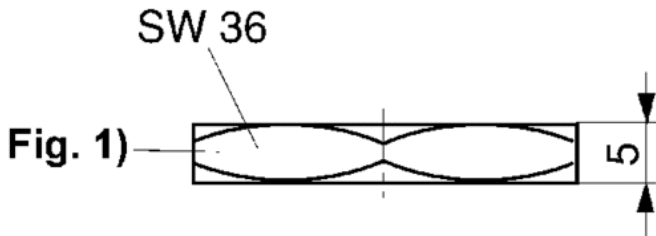


Technical data

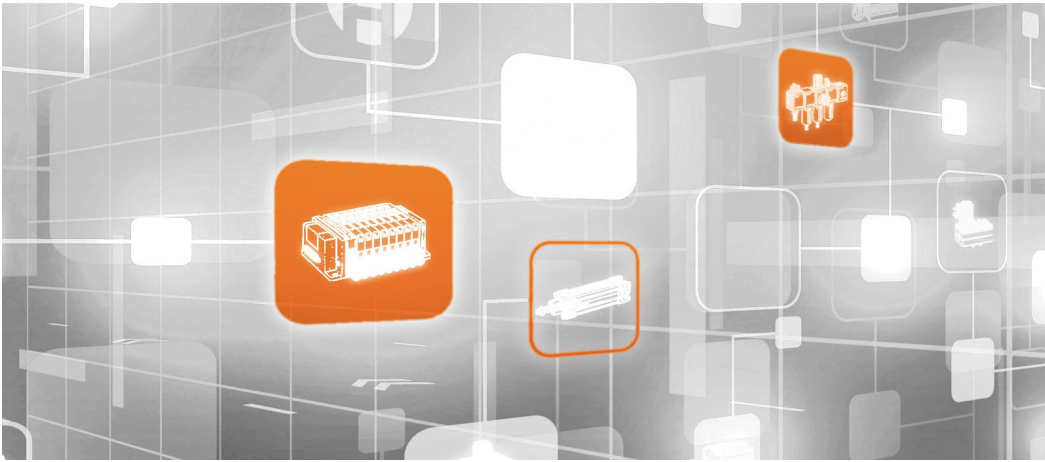
Part No.	Fig.	Type
8919902914	Fig. 1	Lock nut
8920306514	Fig. 2	Pressure piece (flat)
8920306504	Fig. 3	Pressure piece (spherical)
8920306702	Fig. 4	Pressure piece (with ball)
8920306602	Fig. 5	Pressure piece
8977502904	Fig. 6	Bellows
3610504304	Fig. 7	Threaded rings
8951044204	Fig. 8	Shim 0.2 mm thick
8951004104	Fig. 8	Shim 0.5 mm thick (for pressure pieces Fig. 2-5)
8950703004	Fig. 9	Cover for stroke limitation (for pressure pieces Fig. 2-5)

Dimensions

Dimensions, Single parts



Efficient pneumatic solutions, our program: cylinders and drives, valves and valve systems, air supply management



Visit us: [Emerson.com/Aventics](https://www.emerson.com/Aventics)

Your local contact: [Emerson.com/contactus](https://www.emerson.com/contactus)



Emerson.com



[Facebook.com/EmersonAutomationSolutions](https://www.facebook.com/EmersonAutomationSolutions)



[LinkedIn.com/company/Emerson-Automation-Solutions](https://www.linkedin.com/company/Emerson-Automation-Solutions)



[Twitter.com/EMR_Automation](https://twitter.com/EMR_Automation)

An example configuration is depicted on the title page. The delivered product may thus vary from that in the illustration. Subject to change. This Document, as well as the data, specifications and other information set forth in it, are the exclusive property of AVENTICS GmbH. It may not be reproduced or given to third parties without its consent. Only use the AVENTICS products shown in industrial applications. Read the product documentation completely and carefully before using the product. Observe the applicable regulations and laws of the respective country. When integrating the product into applications, note the system manufacturer's specifications for safe use of the product. The data specified only serve to describe the product. No statements concerning a certain condition or suitability for a certain application can be derived from our information. The information given does not release the user from the obligation of own judgment and verification. It must be remembered that the products are subject to a natural process of wear and aging.

The Emerson logo is a trademark and service mark of Emerson Electric Co. Brand logotype are registered trademarks of one of the Emerson family of companies. All other marks are the property of their respective owners. © 2017 Emerson Electric Co. All rights reserved.
2019-03



CONSIDER IT SOLVED™