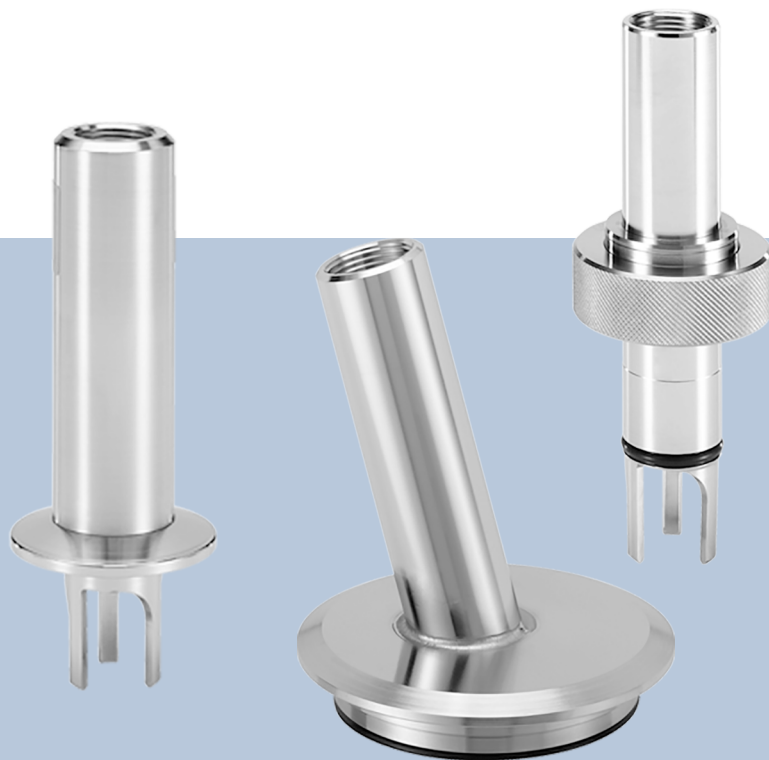


Type 8200

Hygienic Holder



Operating Instructions

We reserve the right to make technical changes without notice.

© Bürkert SAS 2013-2026

Technical documentation 2602/02_GBen_00564991_1158351499_1158381835 / Original EN

Table of Contents

1	About this document	4
1.1	Symbols	4
1.2	Terms and abbreviations	5
1.3	Manufacturer	5
2	Safety	6
2.1	Intended use	6
2.2	Safety instructions	6
3	Product description	8
3.1	Area of application	8
3.2	Available version	8
4	Technical data	9
4.1	Standards and directives	9
4.2	Conditions of use	9
4.3	Dimensions	9
4.4	Materials	9
5	Installation and commissioning	10
5.1	Safety instructions	10
5.2	Assembling the holder	11
5.3	Assembling the probe	11
6	Maintenance and cleaning	12
6.1	Safety instructions	12
6.2	Maintenance	12
6.3	Cleaning	13
7	Spare parts and accessories	14
8	Logistics	15
8.1	Transport and storage	15
8.2	Return	15
8.3	Disposal	15

1 About this document

The document is an important part of the product and guides the user to safe installation and operation. The information and instructions in this document are binding for the use of the product.

- ▶ Before using the product for the first time, read and observe the whole safety chapter.
- ▶ Before starting any work on the product, read and observe the respective sections of the document.
- ▶ Keep the document available for reference and give it to the next user.
- ▶ Contact the Bürkert sales office for any questions.



Further information concerning the product at [Products](#).

- ▶ Enter the article number from the type label in the search bar.

The illustrations in these instructions may vary depending on the product variant.

1.1 Symbols



DANGER!

Warns of a danger that leads to death or serious injuries.



WARNING!

Warns of a danger that can lead to death or serious injuries.



CAUTION!

Warns of a danger that can lead to minor injuries.

NOTICE!

Warns of property damage on the product or the installation.



Indicates important additional information, tips and recommendations.



Refers to information in this document or in other documents.

- ▶ Indicates a step to be carried out.

✓ Indicates a result.

Menu Indicates a software user-interface text.

1.2 Terms and abbreviations

The terms and abbreviations are used in this document to refer to following definitions.

Product	Hygienic holder Type 8200
---------	---------------------------

1.3 Manufacturer

Bürkert SAS

20, rue du Giessen

67220 TRIEMBACH-AU VAL

FRANCE

The contact addresses are available at [Contact](#).



Need more information or additional products?

- ▶ Explore the full range of products on our [eShop](#).

2 Safety

2.1 Intended use

Use of the hygienic holder that does not comply with the instructions could present risks to people, nearby installations and the environment.

- ▶ The 8200 hygienic holder is intended for professional use in process measurements technology, as a holder for probe with a 12 mm shaft diameter.
- ▶ Use the holder in compliance with the specifications and conditions of commissioning and use given in the contractual documents, in these operating instructions and in the operating instructions for the device which is inserted into the holder.
- ▶ Safe and trouble-free operation of the holder depends on its proper transport, storage and installation, as well as careful operation and maintenance.
- ▶ Only use the holder as intended.
- ▶ Observe any existing restraints when the holder is exported.

2.2 Safety instructions

This safety information does not take into account any contingencies or occurrences that may arise during installation, use and maintenance of the device.

The operating company is responsible for the respect of the local safety regulations including for the staff safety.

Danger due to high pressure in the installation.

Danger due to high temperatures of the medium.

Danger due to the nature of the medium.

Various dangerous situations

To avoid personal injury, take care to:

- ▶ Prevent any unintentional power supply switch-on.
- ▶ To ensure that installation and maintenance work are carried out by qualified, authorised personnel in possession of the appropriate tools.
- ▶ Use the holder only if in perfect working order and in compliance with the instructions provided in the operating instructions.
- ▶ To replace defective parts immediately.
- ▶ Observe the general technical rules when installing and using the holder.
- ▶ Not to fix, assemble or maintain the holder in explosive atmospheres.
- ▶ Not to use fluid that is incompatible with the materials from which the holder is made.
- ▶ Not to use the holder in an environment incompatible with the materials from which it is made.
- ▶ Not to subject the holder to mechanical loads (by placing objects on top of it or by using it as a step, for example).
- ▶ Not to paint the internal or external threaded parts.

The holder may be damaged by the fluid in contact with.

- ▶ Systematically check the chemical compatibility of the component materials of the holder and the fluids likely to come into contact with it (for example: alcohols, strong or concentrated acids, aldehydes, alkaline compounds, esters, aliphatic compounds, ketones, halogenated aromatics or hydrocarbons, oxidants and chlorinated agents).
- ▶ Contact with salty solutions and concentrated acids can result in corrosion.

3 Product description

3.1 Area of application

The 8200 hygienic holder is intended for professional use in process measurements technology, as a holder for probe with a 12 mm shaft diameter. Depending on the version, the hygienic holder can either be installed on a weld-in socket with a diameter of 25 mm or a clamp connection or a 2" (DN50/40) connection adapted for GEA Tuchenhagen VARINLINE process connections.

3.2 Available version

The hygienic holder is available in the following versions:

Process connection	Specification	Order code
G 1¼" internal thread ¹⁾	O-ring position (OP): 25 mm	562431
G 1¼" internal thread ¹⁾	O-ring position (OP): 50 mm	562432
2" (DN50/40) connection adapted for GEA Tuchenhagen VARINLINE process connections ¹⁾	Inclination: 15°	562433
Clamp 1½", (dia. 50.5 mm)	Insertion length: 33 mm	558885

¹⁾ The certificate 3.1 is supplied with the holder.

4 Technical data

4.1 Standards and directives

This product complies with the legal requirements applicable at the time of placing on the market and has been developed and tested in accordance with the relevant European directives/regulations and harmonized standards. The conformity is documented and, if necessary, supported by evidence. The EU Declaration of Conformity can be found behind the respective type on the home page country.burkert.com

4.2 Conditions of use

Fluid temperature	135 °C max. Temperature limits may depend on the inserted probe. Refer to the relevant operating instructions. If the temperature ranges given for the holder and the inserted probe are different, use the most restrictive range.
Pressure class	6 bar max. Pressure limits may depend on the inserted probe. Refer to the relevant operating instructions. If the pressure ranges given for the holder and the inserted probe are different, use the most restrictive range.
Storage temperature	135 °C max.

4.3 Dimensions

Refer to the related datasheet at [Type 8200](#)

4.4 Materials

Body	Stainless steel
O-ring	EPDM (FDA agreement)

5 Installation and commissioning

5.1 Safety instructions

DANGER!

Risk of injury due to high pressure in the installation.

- ▶ Stop the circulation of fluid, cut-off the pressure and drain the pipe before loosening the process connections.

DANGER!

Risk of injury due to high fluid temperatures.

- ▶ Use safety gloves to handle the holder.
- ▶ Stop the circulation of fluid and drain the pipe before loosening the process connections.

DANGER!

Risk of injury due to the nature of the fluid.

- ▶ Respect the prevailing regulations on accident prevention and safety relating to the use of hazardous products.

WARNING!

Risk of injury due to non-conforming installation.

- ▶ Fluidic installation can only be carried out by qualified and authorised personnel with the appropriate tools.
- ▶ Observe the installation instructions for the measuring device inserted into the holder.

WARNING!

Risk of injury due to an uncontrolled restart.

- ▶ Ensure that the restart of the installation is controlled after any interventions on it.

WARNING!

Danger due to nonconforming commissioning.

Nonconforming commissioning may lead to injuries and damage the holder and its surroundings.

- ▶ Before commissioning, make sure that the staff in charge have read and fully understood the contents of the manual.
- ▶ In particular, observe the safety recommendations and intended use.
- ▶ The installation must only be commissioned by suitably trained staff.

WARNING!

Gases or liquids can leak out undetected through the seals or the screws.

- ▶ Check regularly the holder for leaks.

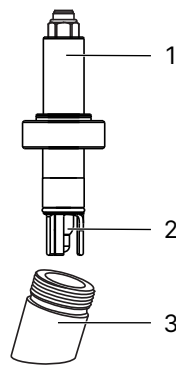
! WARNING!

Before initial operation of the holder, or after a long out-of use period:

- ▶ Ensure that the seal is tight.
- ▶ Ensure that all parts are in working order.

5.2 Assembling the holder

- ▶ Assemble the holder as described in the figure.



1 G 1¼" probes holder Type 8200 with O-ring position of 28 mm or 46 mm

2 pH/ORP probe Type 8203 or conductivity probe Type 8221 of 120 mm with PG 13.5 connection

3 Weld-in socket with 15° (Sockets 15°) Type BBS-11 which are welded on pipes or tanks.

Refer to the Operating Instructions Type 8203 or Type 8221.

The sockets have a safety construction. The socket seals only if the O-ring of the holder is exactly in the right position. Otherwise the fluid leaks through the G 1¼" coupling nut. Refer to the Operating Instructions Type BBS-11.

5.3 Assembling the probe

NOTICE!

To avoid any mechanical damage to O-rings on assembly, they should be lightly greased. After assembly, clean the probe of any remaining drops of grease.

- ▶ Ensure there is no damage to the probe or the holder.
- ▶ Check that all O-rings are in place in their appropriate grooves, and are free of damage.
- ▶ Screw the probe into the holder.

6 Maintenance and cleaning

6.1 Safety instructions

DANGER!

Risk of injury due to high pressure in the installation.

- ▶ Stop the circulation of fluid, cut-off the pressure and drain the pipe before loosening the process connections.

DANGER!

Risk of injury due to high fluid temperatures.

- ▶ Use safety gloves to handle the fitting or the adapter.
- ▶ Stop the circulation of fluid and drain the pipe before loosening the process connections.
- ▶ Keep all easily flammable fluid or material away from the fitting or the adapter.

DANGER!

Risk of injury due to the nature of the fluid.

- ▶ Respect the prevailing regulations on accident prevention and safety relating to the use of aggressive fluids.

WARNING!

Risk of injury due to non-conforming maintenance.

- ▶ Maintenance must only be carried out by qualified and skilled staff with the appropriate tools.
- ▶ Ensure that the restart of the installation is controlled after any interventions.

6.2 Maintenance

WARNING!

After repairs or maintenance.

- ▶ Ensure that the seal is tight.
- ▶ Ensure that all parts are in working order.
- ▶ For the G 1¼" check that the nut is tightly screwed in.
- ▶ Check that the probe is tightly screwed into the holder. (Weekly check recommended.)
- ▶ Check the holder for any damage or corrosion.
- ▶ Check that the holder is leak proof.
- ▶ Check for strain relief and for any damage.
- ▶ Replace O-rings as required – after 6 years latest.

6.3 Cleaning

NOTICE!

The holder may be damaged by the cleaning product.

- ▶ Clean the holder with a cloth dampened with water or a detergent compatible with the materials the holder is made of.
- ▶ Never use scouring agent containing hard particles.



- ▶ Check the O-rings from time to time.
- ▶ When mounting a new O-ring, take care not to damage the O-ring nut and the O-ring. Otherwise the tightness can no longer be guaranteed.

7 Spare parts and accessories



CAUTION!

Risk of injury and/or damage caused by the use of unsuitable parts.

Incorrect accessories and unsuitable spare parts may cause injuries and damage the product and the surrounding area.

- ▶ Use only original accessories and original spare parts from Bürkert.

Accessories	Article number
Weld-in socket 1¼" external thread, inclination 15°, O-ring position: 30 mm	747772
Weld-in socket 1¼" external thread, inclination 15°, O-ring position: 46 mm	737260

8 Logistics

8.1 Transport and storage

- ▶ Protect the device against moisture and dirt in the original packaging during transportation and storage.
- ▶ Avoid UV radiation and direct sunlight.
- ▶ Protect connections, if present, from damage with protective caps.
- ▶ Observe the permitted storage temperature.

8.2 Return



No work or tests will be carried out on the device until a valid Contamination Declaration has been received.

- ▶ To return a used device to Bürkert, contact the Bürkert sales office. A return number is required.

8.3 Disposal

Environmentally friendly disposal



- ▶ Follow national regulations regarding disposal and the environment.
- ▶ Collect electrical and electronic devices separately and dispose of them as special waste.

Further information at country.burkert.com