

1742/1746/1748

Power Quality Logger

Calibration Manual



March 2018 Rev. 1, 12/19

©2018-2019 Fluke Corporation. All rights reserved.

All product names are trademarks of their respective companies.

Specifications are subject to change without notice.

LIMITED WARRANTY AND LIMITATION OF LIABILITY

Each Fluke product is warranted to be free from defects in material and workmanship under normal use and service. The warranty period is two years and begins on the date of shipment. Parts, product repairs, and services are warranted for 90 days. This warranty extends only to the original buyer or end-user customer of a Fluke authorized reseller, and does not apply to fuses, disposable batteries, or to any product which, in Fluke's opinion, has been misused, altered, neglected, contaminated, or damaged by accident or abnormal conditions of operation or handling. Fluke warrants that software will operate substantially in accordance with its functional specifications for 90 days and that it has been properly recorded on non-defective media. Fluke does not warrant that software will be error free or operate without interruption.

Fluke authorized resellers shall extend this warranty on new and unused products to end-user customers only but have no authority to extend a greater or different warranty on behalf of Fluke. Warranty support is available only if product is purchased through a Fluke authorized sales outlet or Buyer has paid the applicable international price. Fluke reserves the right to invoice Buyer for importation costs of repair/replacement parts when product purchased in one country is submitted for repair in another country.

Fluke's warranty obligation is limited, at Fluke's option, to refund of the purchase price, free of charge repair, or replacement of a defective product which is returned to a Fluke authorized service center within the warranty period.

To obtain warranty service, contact your nearest Fluke authorized service center to obtain return authorization information, then send the product to that service center, with a description of the difficulty, postage and insurance prepaid (FOB Destination). Fluke assumes no risk for damage in transit. Following warranty repair, the product will be returned to Buyer, transportation prepaid (FOB Destination). If Fluke determines that failure was caused by neglect, misuse, contamination, alteration, accident, or abnormal condition of operation or handling, including overvoltage failures caused by use outside the product's specified rating, or normal wear and tear of mechanical components, Fluke will provide an estimate of repair costs and obtain authorization before commencing the work. Following repair, the product will be returned to the Buyer transportation prepaid and the Buyer will be billed for the repair and return transportation charges (FOB Shipping Point).

THIS WARRANTY IS BUYER'S SOLE AND EXCLUSIVE REMEDY AND IS IN LIEU OF ALL OTHER WARRANTIES, EXPRESS OR IMPLIED, INCLUDING BUT NOT LIMITED TO ANY IMPLIED WARRANTY OF MERCHANTABILITY OR FITNESS FOR A PARTICULAR PURPOSE. FLUKE SHALL NOT BE LIABLE FOR ANY SPECIAL, INDIRECT, INCIDENTAL OR CONSEQUENTIAL DAMAGES OR LOSSES, INCLUDING LOSS OF DATA, ARISING FROM ANY CAUSE OR THEORY.

Since some countries or states do not allow limitation of the term of an implied warranty, or exclusion or limitation of incidental or consequential damages, the limitations and exclusions of this warranty may not apply to every buyer. If any provision of this Warranty is held invalid or unenforceable by a court or other decision-maker of competent jurisdiction, such holding will not affect the validity or enforceability of any other provision..

Fluke Corporation
P.O. Box 9090
Everett, WA 98206-9090
U.S.A.

Fluke Europe B.V.
P.O. Box 1186
5602 BD Eindhoven
The Netherlands

Table of Contents

Title	Page
Introduction	1
How to Contact Fluke	1
Safety Information	1
Specifications	2
Environmental	2
Electrical	3
Maintenance	10
How to Clean	10
Battery Replacement	10
Replacement Parts	10
Setup	12
Required Equipment	12
Equipment Assembly	13
173x/174x Calibration Cable Assembly	13
173x/174x AUX Input Calibration Cable	14
Verification Box Assembly	16
System Requirements	16
USB Communication	17
How to Use the Spreadsheet	17
Basic Instrument Setup for all Verifications	21
Accuracy Verification Procedure	21
Voltage Measurement	21
Current Measurement	22
AUX Input Check	23
Optional Verification for Flexi or Clamp (Combined Logger and Probe Specifications)	24
17xx Auxiliary Input Adapter Verification (1732/1734/1736/1738 Only)	27
Calibration Adjust Procedure	28

Introduction

⚠⚠ Warning

To avoid electric shock or personal injury, do not perform the calibration verification tests or calibration procedures described in this manual unless you are qualified to do so. The information provided in this manual is for the use of qualified personnel only.

This Calibration Manual provides all the information necessary to perform basic maintenance and make calibration adjustments for the 1742/1746/1748 Power Quality Loggers.

For complete operating instructions, refer to the *Users Manual* on the USB drive provided with your product or at www.fluke.com.

How to Contact Fluke

To contact Fluke, call one of the following telephone numbers:

- Technical Support USA: 1-800-44-FLUKE (1-800-443-5853)
- Calibration/Repair USA: 1-888-99-FLUKE (1-888-993-5853)
- Canada: 1-800-36-FLUKE (1-800-363-5853)
- Europe: +31 402-675-200
- Japan: +81-3-6714-3114
- Singapore: +65-6799-5566
- China: +85-400-921-0835
- Brazil: +55-11-3530-8901
- Anywhere in the world: +1-425-446-5500

Or, visit Fluke's website at www.fluke.com.

To register your product, visit <http://register.fluke.com>.

To view, print, or download the latest manual supplement, visit <http://us.fluke.com/usen/support/manuals>.

Safety Information

General Safety Information is in the printed Safety Information document that ships with the Product and at www.fluke.com. More specific safety information is listed where applicable.

Specifications

Warranty

Logger2 years (battery not included)

Accessories1 year

Calibration Cycle2 years

Dimensions23.0 cm x 18.0 cm x 5.4 cm (9.1 in x 7.1 in x 2.1 in)

Weight1 kg (2.2 lb)

Environmental

Logger

Temperature

Operating-25 °C to 50 °C (-13 °F to 122 °F) warm up the Product to -10 °C (14 °F) before you turn on power

Storage without battery-25 °C to 60 °C (-13 °F to 140 °F)

Storage with battery-20 °C to 50 °C (-4 °F to 122 °F)

Operating HumidityIEC60721-3-3: 3K6:
-25 °C to 30 °C (-13 °F to 86 °F): ≤100 %
40 °C (104 °F): 55 %
50 °C (122 °F): 35 %

Altitude

Operating2000 m (up to 4000 m derate to 1000 V CAT II/600 V CAT III/300 V CAT IV)

Storage.....12 000 m

BatteryLi-ion 3.7 V, 8.5 Wh, customer-replaceable

Temperature

Storage.....-20 °C to 50 °C (-4 °F to 122 °F)

Charge0 °C to 45 °C (32 °F to 113 °F)

IP RatingIEC 60529: IP50 / IEC 60529: IP65 with IP65 rated voltage connector

VibrationIEC 60721-3-3 / 3M2

Safety

GeneralIEC 61010-1: Pollution Degree 2

Mains Input (IEC C8).....Overvoltage Category II

Mains Input (4 mm test lead).....Overvoltage Category IV

MeasurementIEC 61010-2-033: CAT IV 600 V / CAT III 1000 V

Power SupplyOvervoltage Category IV, Pollution Degree 2

Mains Adapter MA-C8CAT II 300 V

Electromagnetic Compatibility (EMC)

InternationalIEC 61326-1: Industrial

CISPR 11: Group 1, Class A

Group 1: Equipment has intentionally generated and/or uses conductively-coupled radio frequency energy that is necessary for the internal function of the equipment itself.

Class A: Equipment is suitable for use in all establishments other than domestic and those directly connected to a low-voltage power supply network that supplies buildings used for domestic purposes. There may be potential difficulties in ensuring electromagnetic compatibility in other environments due to conducted and radiated disturbances.

Emissions that exceed the levels required by CISPR 11 can occur when the equipment is connected to a test object.

Korea (KCC).....Class A Equipment (Industrial Broadcasting & Communication Equipment)

Class A: Equipment meets requirements for industrial electromagnetic wave equipment and the seller or user should take notice of it. This equipment is intended for use in business environments and not to be used in homes.

USA (FCC)47 CFR 15 subpart C.

Wireless Radio with Adapter with USB/WiFi or USB/WiFi + BLE Adapter (optional accessory)

Frequency Range.....2412 MHz to 2462 MHz

Output Power<100 mW

Electrical

Power Supply

Voltage Range	
using safety plug input with power from the measurement circuit	100 V to 500 V
using MA-C8 with standard power cord (IEC 60320 C7)	100 V to 240 V
Power consumption	Maximum 50 VA (maximum 15 VA when powered using MA-C8 adapter)
Maximum no-load consumption	<0.3 W only when powered using IEC 60320 input
Efficiency	≥68.2 % (in accordance with energy efficiency regulations)
Mains Frequency	50/60 Hz ±15 %
Battery Power	Li-ion 3.7 V, 9.25 Wh, customer-replaceable
On-Battery Runtime	Typically 4 hr
Charging Time	<6 hr

Voltage Inputs

Number of Inputs	4 (3 phases referenced to neutral)
Maximum Input Voltage	1000 V _{rms} , CF 1.7
Input Impedance	10 MΩ
Bandwidth	42.5 Hz to 3.5 kHz
Scaling	1:1 and variable

Current Inputs

Number of Inputs	4 (3 phases and neutral), mode selected automatically for attached sensor
Input Voltage	
Clamp	500 mV _{rms} / 50 mV _{rms} ; CF 2.8
Rogowski Coil	150 mV _{rms} / 15 mV _{rms} at 50 Hz, 180 mV _{rms} / 18 mV _{rms} at 60 Hz; CF 4; all at nominal probe range
Range	1 A to 150 A / 10 A to 1500 A with thin flexible current probe i17XX-flex1500 IP 24 in 3 A to 300 A / 30 A to 3000 A with thin flexible current probe i17XX-flex3000 IP 24 in 6 A to 600 A / 60 A to 6000 A with thin flexible current probe i17XX-flex6000 IP 36 in 40 mA to 4 A / 0.4 A to 40 A with 40 A clamp i40s-EL
Bandwidth	42.5 Hz to 3.5 kHz
Scaling	1:1 and variable

Auxiliary Inputs

Number of Inputs	2 (Analog with auxiliary adapter, or up to 2 BLE devices simultaneously)
Input Range	0 V dc to ±10 V dc or 0 V dc to ±1000 V dc (with optional adapter, 1 reading/s)
Displayed Units	User configurable (7 characters, for example °C, psi, or m/s)

Wireless Bluetooth connection (check for availability)

Number of Inputs	2
Supported Modules	Fluke Connect® 3000 series
Acquisition	1 reading/s

Data Acquisition

Resolution	16-bit synchronous sampling
Sampling Frequency	10.24 kHz at 50/60 Hz, synchronized to mains frequency
Input Signal Frequency	50/60 Hz (42.5 Hz to 69 Hz)
Circuit Types	1- Φ , 1- Φ IT, Split phase, 3- Φ wye, 3- Φ wye IT, 3- Φ wye balanced, 3- Φ delta, 3- Φ Aron/Blondel (2-element delta), 3- Φ delta open leg, 3- Φ high leg delta, 3- Φ delta balanced. Currents only (load studies)
Data Storage	Internal flash memory (not user replaceable)
Memory Size	Typical 20 logging sessions of 4 weeks with 1-minute intervals and 500 events

Trend Interval

Measured Parameter	Voltage, Current, Aux, Frequency, THD V, THD A, Power, Power Factor, fundamental Power, DPF, energy
Averaging Interval	User selectable: 5 min, 10 min, 15 min, 20 min, 30 min, off
Averaging time min/max values	Voltage, Current: Full cycle RMS updated every half cycle (URMS1/2 according to IEC 61000-4-30) AUX, Power: 20 ms

Demand Interval

Measured Parameter	Energy (Wh, varh, VAh), PF, maximum demand, cost of energy
Interval	User selectable: 5 min, 10 min, 15 min, 20 min, 30 min, off

Interfaces

USB-A	File transfer via USB Drive, Firmware updates, max. supply current: 120 mA
WiFi (x2)	
Supported modes	Direct connection and connection to infrastructure
Security	WPA2-AES with pre-shared key

Accuracy at Reference Conditions

Parameter		Range	Maximum Resolution	Intrinsic Accuracy at Reference Conditions (% of Reading + % of Range)	
Voltage		1000 V	0.1 V	± 0.1 % of nominal voltage ^{[1][2]}	
Current	Direct Input ^[3]	Rogowski Mode	15 mV	0.01 mV	$\pm(0.3$ % + 0.02 %)
			150 mV	0.1 mV	$\pm(0.3$ % + 0.02 %)
		Clamp Mode	50 mV	0.01 mV	$\pm(0.2$ % + 0.02 %)
			500 mV	0.1 mV	$\pm(0.2$ % + 0.02 %)
	1500 A Flexi	150 A	0.01 A	$\pm(1$ % + 0.02 %)	
		1500 A	0.1 A	$\pm(1$ % + 0.02 %)	
	3000 A Flexi	300 A	1 A	$\pm(1$ % + 0.03 %)	
		3000 A	10 A	$\pm(1$ % + 0.03 %)	
	6000 A Flexi	600 A	1 A	$\pm(1.5$ % + 0.03 %)	
		6000 A	10 A	$\pm(1.5$ % + 0.03 %)	
40 A	4 A	1 mA	(0.7 % + 0.02 %)		
	40 A	10 mA	(0.7 % + 0.02 %)		
Frequency		42.5 Hz to 69 Hz	0.01 Hz	± 0.1 %	
Auxiliary Input		± 10 V dc	0.01 mV	$\pm(0.2$ % + 0.02 %)	
Voltage Min/Max		1000 V	0.1 V	± 2 % of nominal input voltage ^[1]	
Current Min/Max		defined by accessory	defined by accessory	$\pm(5$ % + 0.2 %)	
THD on Voltage		1000 %	0.1 %	$\pm(2.5$ % + 0.05 %)	
THD on Current		1000 %	0.1 %	$\pm(2.5$ % + 0.05 %)	
Voltage Harmonics 2nd ... 50th		1000 V	0.1 V	≥ 1 V: ± 5 % of reading	
				< 1 V: ± 0.05 V	

Accuracy at Reference Conditions (cont.)

Parameter	Range	Maximum Resolution	Intrinsic Accuracy at Reference Conditions (% of Reading + % of Range)
Current Harmonics 2nd ... 50th	defined by accessory	defined by accessory	≥3 % of current range: ±5 % of reading
			<3 % of current range: ±0.15 % of range
Flicker P _{LT} , P _{ST}	0 to 20	0.01	5 %

[1] In the range of 100 V to 500 V (also known as Udin).
 [2] 0 °C to 45 °C: Accuracy at reference condition x2 / outside of 0 °C to 45 °C: Accuracy at reference condition x3.
 [3] Only for calibration laboratories.

Intrinsic Uncertainty ±(% of measurement value + % of power range)

Parameter	Influence Quantity	Direct Input ^[1]	iFlex1500-12	iFlex3000-24	iFlex6000-36	i40S-EL
		Clamp: 50 mV/500 mV Rogowski: 15 mV/150 mV	150 A / 1500 A	300 A / 3000 A	600 A / 6000 A	4 A / 40 A
Active Power P Active Energy E_a	PF ≥0.99	0.5 % + 0.005 %	1.2 % + 0.005 %	1.2 % + 0.0075 %	1.7 % + 0.0075 %	1.2 % + 0.005 %
	0.1 ≤ PF <0.99	see Formula 1	see Formula 2	see Formula 3	see Formula 4	see Formula 5
Apparent Power S Apparent Energy E_{ap}	0 ≤ PF ≤1	0.5 % + 0.005 %	1.2 % + 0.005 %	1.2 % + 0.0075 %	1.2 % + 0.0075 %	1.2 % + 0.005 %
Reactive Power Q Reactive Energy E_r	0 ≤ PF ≤1	2.5 % of measured apparent power/energy				
Power Factor PF Displacement Power Factor DPF/cosφ	-	Reading ±0.025				
Additional uncertainty (% of power high-range)	V _{P-N} >250 V	0.015 %	0.015 %	0.0225 %	0.0225 %	0.015 %

[1] Only for calibration laboratories

Reference Conditions:

Environmental: 23 °C ±5 °C, instrument operating for at least 30 minutes, no external electrical/magnetic field, RH <65 %

Input conditions: CosΦ/PF=1, Sinusoidal signal f=50/60 Hz, power supply 120 V/230 V ±10 %

Current and power specifications: Input voltage 1ph: 120 V/230 V or 3ph wye/delta: 230 V/400 V

Input current >10 % of current range

Primary conductor of clamps or Rogowski coil in center position

Temperature Coefficient: Add 0.1 x specified accuracy for each degree C above 28 °C or below 18 °C

$$\text{Formula 1: } \left(0.5 + \frac{\sqrt{1 - PF^2}}{3 \times PF} \right) \% + 0.005 \%$$

$$\text{Formula 2: } \left(1.2 + \frac{\sqrt{1 - PF^2}}{2 \times PF} \right) \% + 0.005 \%$$

$$\text{Formula 3: } \left(1.2 + \frac{\sqrt{1 - PF^2}}{2 \times PF} \right) \% + 0.0075 \%$$

$$\text{Formula 4: } \left(1.7 + \frac{\sqrt{1 - PF^2}}{2 \times PF} \right) \% + 0.0075 \%$$

$$\text{Formula 5: } \left(1.2 + 1.7 \times \frac{\sqrt{1 - PF^2}}{PF} \right) \% + 0.005 \%$$

Example:

Measurement at 120 V/16 A using an iFlex1500-12 in low range. Power Factor is 0.8

Active power uncertainty σ_P :

$$\sigma_P = \pm \left(\left(1.2 \% + \frac{\sqrt{1 - 0.8^2}}{2 \times 0.8} \right) + 0.005 \% \times P_{\text{Range}} \right) = \pm (1.575 \% + 0.005 \% \times 1000 \text{ V} \times 150 \text{ A}) = \pm (1.575 \% + 7.5 \text{ W})$$

The uncertainty in W is $\pm (1.575 \% \times 120 \text{ V} \times 16 \text{ A} \times 0.8 + 7.5 \text{ W}) = \pm 31.7 \text{ W}$

Apparent power uncertainty σ_S :

$$\sigma_S = \pm (1.2 \% + 0.005 \% \times S_{\text{Range}}) = \pm (1.2 \% + 0.005 \% \times 1000 \text{ V} \times 150 \text{ A}) = \pm (1.2 \% + 7.5 \text{ VA})$$

The uncertainty in VA is $\pm (1.2 \% \times 120 \text{ V} \times 16 \text{ A} + 7.5 \text{ VA}) = \pm 30.54 \text{ VA}$

Reactive/non-active power uncertainty σ_Q :

$$\sigma_Q = \pm (2.5 \% \times S) = \pm (2.5 \% \times 120 \text{ V} \times 16 \text{ A}) = \pm 48 \text{ var}$$

In case of a measured voltage that is >250 V, the additional error is calculated with:

$$\text{Adder} = 0.015 \% \times S_{\text{High Range}} = 0.015 \% \times 1000 \text{ V} \times 1500 \text{ A} = 225 \text{ W/VA/var}$$

iFlex Probe Specifications

Flexible Current Probe Specifications	i17XX-FLEX1.5KIP	i17XX-FLEX3KIP	i17XX-FLEX6KIP
Measuring range	1 A ac to 150 A ac 10 A ac to 1500 A ac	3 A ac to 300 A ac 30 A ac to 3000 A ac	6 A ac to 600 A ac 60 A ac to 6000 A ac
Weight	170 g (0.38 lb)	170 g (0.38 lb)	190 g (0.42 lb)
Probe Cable Length	610 mm (24 in)	610 mm (24 in)	915 mm (36 in)
Probe Cable Diameter	7.5 mm (0.3 in)		
Minimum Bending Radius	38 mm (1.5 in)		
Nondestructive current	100 kA (50/60 Hz)		
Intrinsic Error at reference condition	±0.7 % of reading [Reference Condition: Environmental: 23 °C ±5 °C, no external electrical/magnetic field, RH 65 %. Single primary conductor in center position]		
Accuracy Logger + iFlex	±(1 % of reading + 0.02 % of range)		±(1.5 % of reading + 0.03 % of range)
Temperature Coefficient over operating temperature range	0.05 % of reading / °C (0.028 % of reading / °F)		0.1 % of reading / °C (0.056 % of reading / °F)
Working Voltage	1000 V CAT III, 600 V CAT IV		
Output Cable length	2.5 m (8.2 ft)		
Probe Cable Material	TPR		
Coupling Material	POM + ABS/PC		
Output Cable Material	TPR/PVC		
Temperature, operating	-25 °C to +70 °C (-13 °F to +158 °F) temperature of conductor under test shall not exceed 80 °C (176 °F)		
Temperature, non-operating	-40 °C to +80 °C (-40 °F to +176 °F)		
Relative humidity, operating	IEC 60721-3-3: 3K6: -25 °C to +30 °C (-13 °F to +86 °F): ≤100 % 40 °C (104 °F): 55 % 50 °C (122 °F): 35 %		
Flexible Current Probe Specifications	i17XX-FLEX1.5KIP	i17XX-FLEX3KIP	i17XX-FLEX6KIP
Altitude, operating	2000 m (6500 ft) up to 4000 m (13 000 ft) derate to 1000 V CAT II/600 V CAT III/300 V CAT IV		
Altitude, storage	12 km (40 000 ft)		
IP Rating	IEC 60529:IP65		
Warranty	1 year		
External magnetic field rejection in reference to external current (with cable >100 mm from the head-coupling and r-coil)	40 dB		
Phase shift	< ±0.5°		
Bandwidth	10 Hz to 23.5 kHz		
Frequency derating	I x f ≤385 kA Hz		

<p>Positioning error with position of conductor in the probe window.</p>	A: $\pm(1\% \text{ of reading} + 0.02\% \text{ of range})$	$\pm(1.5\% \text{ of reading} + 0.03\% \text{ of range})$
	B: $\pm(1.5\% \text{ of reading} + 0.02\% \text{ of range})$	$\pm(2.0\% \text{ of reading} + 0.03\% \text{ of range})$
	C: $\pm(2.5\% \text{ of reading} + 0.02\% \text{ of range})$	$\pm(4\% \text{ of reading} + 0.03\% \text{ of range})$

i40s-EL Current Clamp Specifications

See Table 1 for setup instructions.

Table 1. i40s-EL Setup

	Item	Description
	1	Single Insulated current carrying conductor
	2	Release button
	3	Load direction arrow
	4	Tactile barrier

Measuring range	40 mA to 4 Aac / 0.4 Aac to 40 Aac
Crest factor	≤ 3
Nondestructive current	200 A (50/60Hz)
Intrinsic Error at reference condition	$\pm 0.5\%$ of reading
Accuracy 174x + clamp	$\pm(0.7\% \text{ of reading} + 0.02\% \text{ of range})$
Phase shift	
<40 mA	unspecified
40 mA to 400 mA	$< \pm 1.5^\circ$
400 mA to 40 A	$< \pm 1^\circ$
Temperature Coefficient over	
Operating temperature range	0.015 % of reading / °C 0.0083 % of reading / °F

Influence of adjacent conductor	≤15 mA/A (@ 50/60 Hz)
Influence of conductor position in jaw opening	±0.5 % of reading (@ 50/60 Hz)
Bandwidth	10 Hz to 2.5 kHz
Working Voltage.....	600 V CAT III, 300 V CAT IV
[1] Reference Condition:	
• Environmental: 23 °C ±5 °C, no external electrical/magnetic field, RH 65 %	
• Primary conductor in center position	
Size (H x W x L)	110 mm x 50 mm x 26 mm (4.33 in x 1.97 in x 1.02 in)
Maximum conductor size	15 mm (0.59 in)
Output cable length	2 m (6.6 ft)
Weight.....	190 g (6.70 oz)
Material	Case ABS and PC Output cable: TPR/PVC
Temperature operating	-10 °C to +55 °C (-14 °F to 131 °F)
Temperature, non-operating	-20 °C to +70 °C (-4 °F to 158 °F)
Relative Humidity, operating	15 % to 85 % non-condensing
Max Operating Altitude	2000 m (6500 ft) up to 4000 m (13 000 ft) derate to 600 V CAT II/300 V CAT IV
Max Storage Altitude	12 km (40 000 ft)
Warranty	1 year

GPS Receiver Specifications (Fluke-174X-GPS-REC)

Supported Global Navigation Satellite System	GPS
Receiver sensitivity	minimum -185 dBW
Time accuracy.....	±1 µs
Acquisition time.....	Cold start: Approx. 45 s Reacquisition: 2 s
Power consumption	4.0 V to 5.5 V, 90 mA
Case material.....	Polycarbonate thermoplastic, black
Ingress protection	Receiver: IEC 60529 IPX7, immersion in 1 meter of water for 30 minutes. Connector mated with 174x: IEC 60529 IP65
Cable length.....	5 m
Dimensions	Ø 6.1 cm x 2 cm (Ø 2.4 in x 0.77 in)
Weight.....	170 g (5.9 oz)
Mounting options.....	Magnet, central threaded recess M3 x 4mm
Operating temperature (Receiver only).....	-30 °C to +80 °C (-22 °F to +176 °F)
Storage temperature	-25 °C to +85 °C (-13 °F to +185 °F)

Maintenance

If the Logger is used appropriately it does not require special maintenance or repair. Maintenance work may be executed only by trained and qualified personnel. This work may only be done at a company related service center within the guarantee period. See www.fluke.com for locations and contact information of Fluke Service Centers worldwide.

Warning

To prevent possible electrical shock, fire, or personal injury:

- Do not operate the Product with the battery door removed or the case open. Hazardous voltage exposure is possible.
- Remove the input signals before you clean the Product.
- Use only specified replacement parts.
- Have an approved technician repair the Product.

How to Clean

Caution

To prevent damage, do not use abrasives or solvents on this Product.

If the Logger is dirty, wipe it off carefully with a damp cloth (without cleaning agents). Mild soap may be used.

Battery Replacement

The Logger has an internal rechargeable Lithium-ion battery.

To replace the battery:

1. Unscrew the three screws and remove the battery door.
2. Replace the battery.
3. Replace and fasten the battery door.

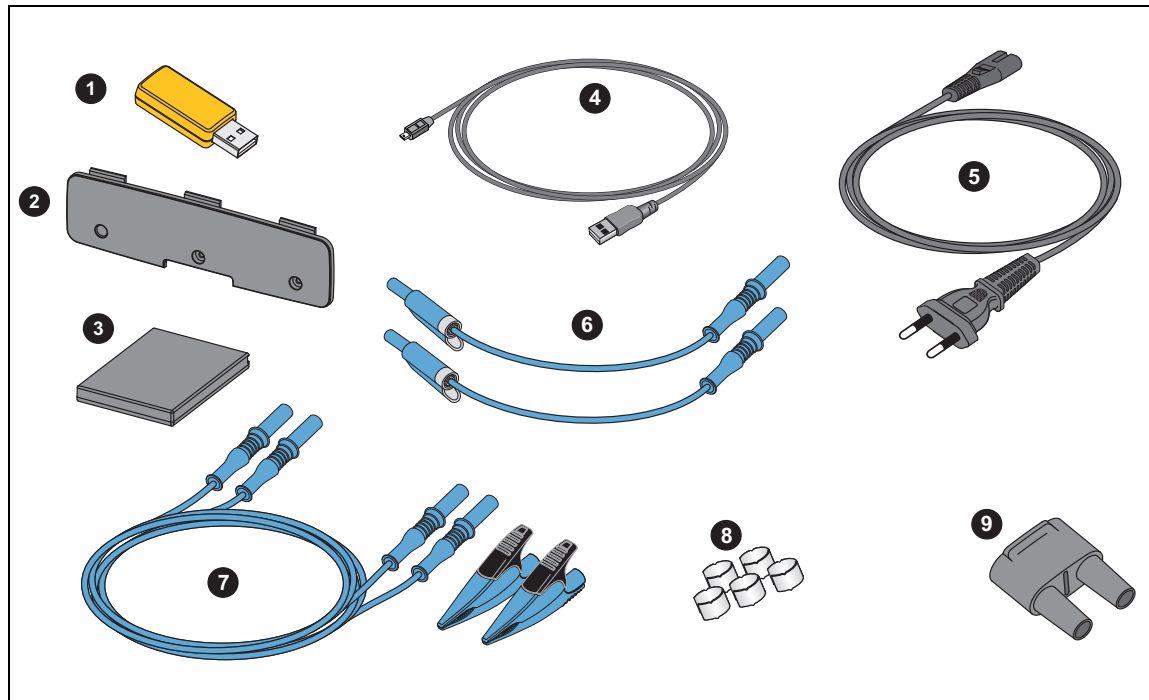
Caution

To prevent damage to the Product, use only original Fluke batteries.

Replacement Parts

Table 2 is a list of replacement parts and accessories. To order parts and accessories, see *How to Contact Fluke*.

Table 2. Replacement Parts



Ref.	Description	Qty.	Fluke Part or Model Number
①	WiFi-to-USB Adapter	2	4723989
②	Battery Door	1	4388072
③	Battery Pack, Li-ion 3.7 V 2500 mAh	1	4146702
④	USB Cable	1	1671807
⑤	Line Cord, country specific (N. American, Europe, UK, Australia, Japan, India/S. Africa, Brazil)	1	varies
⑥	Test Leads 0.8 m blue, 1000 V CAT III	1 set	5016873
⑦	Test Leads 2 m, 2x Alligator Clips, blue, 1000 V CAT III	1 set	5020006
⑧	Cable Marker	1 set	5046009
⑨	Mains Adapter MA-C8	1	4945842

Setup

Before you start the verification procedures or make calibration adjustments, refer to this section for the equipment, system, and setup requirements.

Required Equipment

See Table 3 for a list of requirements for the verification tests and calibration adjustment of the Logger.

Table 3. Required Equipment

Equipment	Model	Notes	Used on:	
			Verification Tests	Calibration Adjustment
Calibrator	5520A/5522A with 8508A Reference DMM	Use 5700A/5730A Calibrator if 8508A is not available.	X	X
Digital Multimeter (DMM)	8508A or 8846A	Voltage verification/ calibration and AUX Adapter verification	X	X
Cable Assembly	3PHVL-1730	Voltage Test Lead 3-Phase+N	X	X
173x/174x AUX Input Calibration Cable ^[1]	NA	1732/1734/1736/1738 only	X	X
173x/174x Calibration Cables – Voltage-to-Current Input Cable Assembly ^[1]	NA	1732/1734/3540 FC: Qty. 3 required 1736/1738: Qty. 4 required	X	X
173x/174x Verification Box ^[1]	NA		optional	X
USB cable	type A-to-mini B		X	X
Coil	5500A/COIL Optional: 52120A with Coils	for Flexi verification	X	
Coil	NA	5 turns	X	
Banana-to-Pin Adapter	Pomona Electronics 4690	for AUX Adapter verification	X	
[1] The 173x/174x calibration cables and verification box are not available from Fluke. See <i>Equipment Assembly</i> for information on how to make these items.				

Equipment Assembly

The 173x/174x calibration cables and verification box are not available from Fluke. If you plan to calibrate your Product rather than send it to a Fluke Service Center, use the assembly instructions that follow.

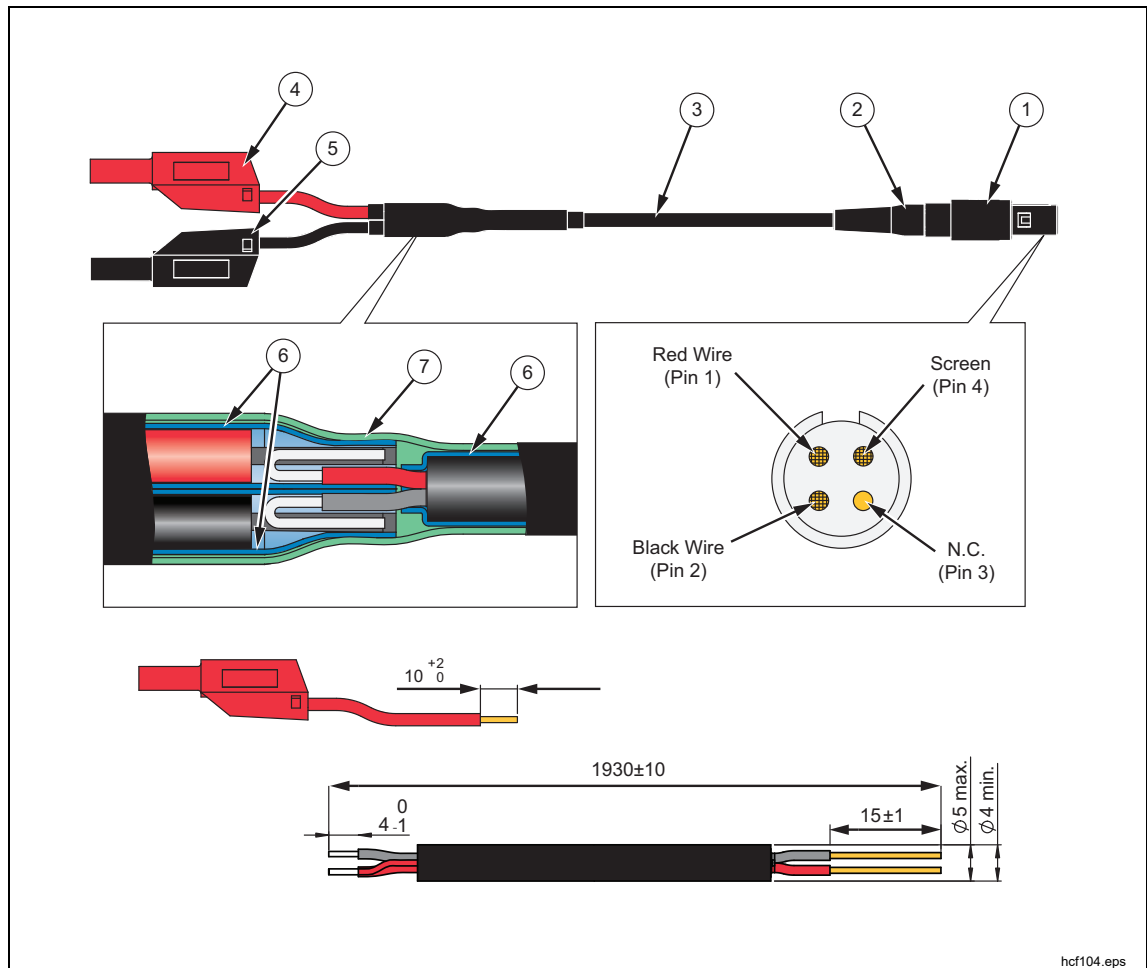
173x/174x Calibration Cable Assembly

See Table 4 for instructions on how to make the calibration cables.

⚠ Caution

Cable must be marked with “max. 30 V to earth.” Remove any voltage-, category-, or current-ratings on safety plugs.

Table 4. 173x/174x Calibration Cables, Voltage-to-Current-Input



hcf104.eps

Item	Description	Part Number/Info	QTY
①	Straight Plug, IP50, 4-Pole	ODU: S21M08-P04MJG0-528S	1
②	Cable Bend Relief	ODU: 701-023208965-040	1
③	Signal-Cable, 2x AWG 22-24, shielded	Ø4-5 mm (Fluke equiv. # 3803634)	1
④	Test Lead with 4 mm Safety Plug, stackable	red	1
⑤	Test Lead with 4 mm Safety Plug, stackable	black	1
⑥	Heat Shrink Tubing, 2:1	Ø=4.8 mm (3/16"); L=35 mm	3
⑦	Heat Shrink Tubing, 3:1, adhesive	Ø=12 mm (1/2"); L=60 mm	1

173x/174x AUX Input Calibration Cable

See Table 5 and Figure 1 for instructions on how to make the calibration cable.

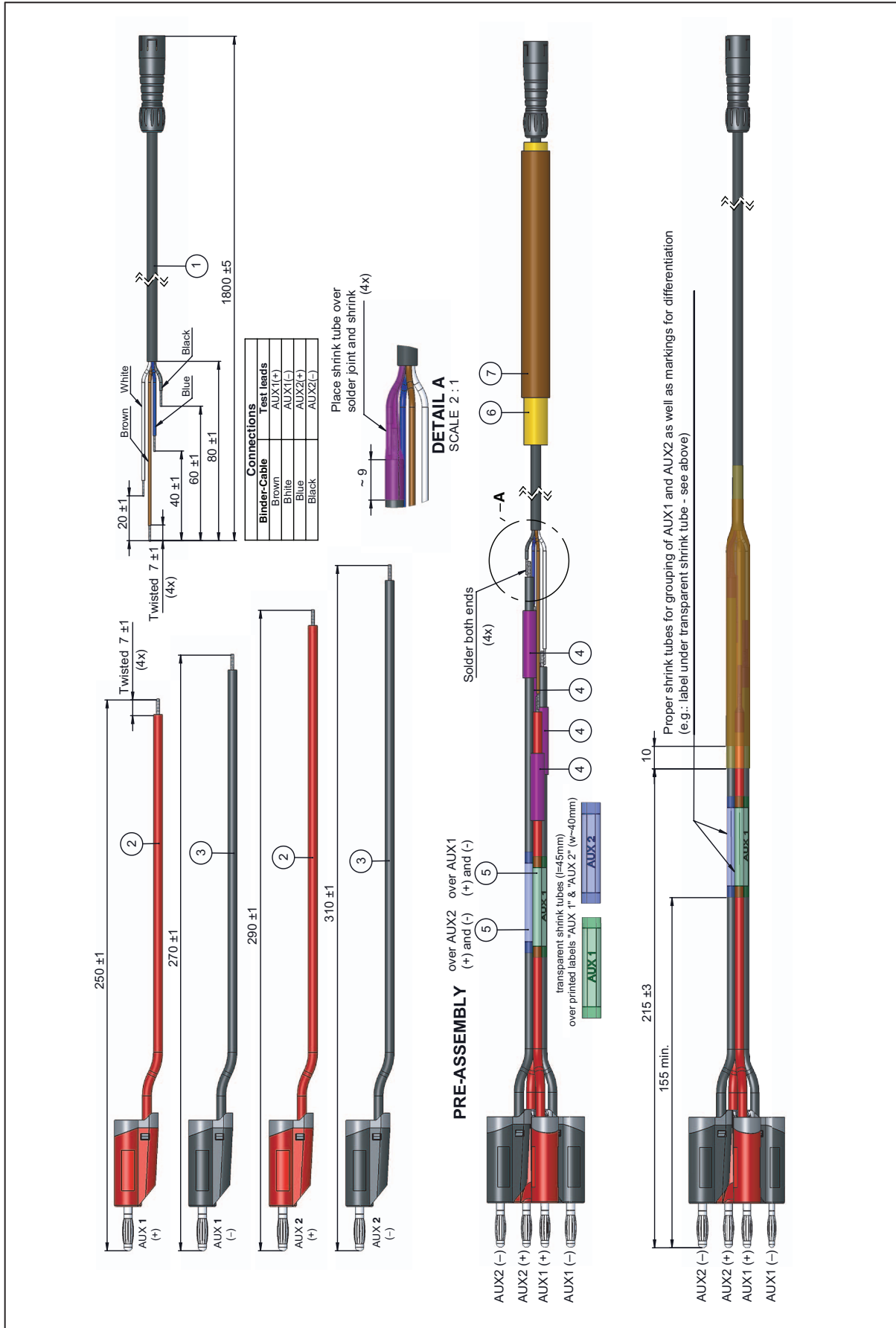
⚠ Caution

Cable must be marked with “max. 30 V to earth.” Remove any voltage-, category-, or current-ratings on safety plugs.

Table 5. 173x/174x AUX Input Calibration Cable

Item	Description	Part Number/Info	QTY
①	Binder: Series 620 - Male Cordset, 4-pole, 2 m	Binder: 79 9241 020 04	1
②	Test Lead 0.75 mm ² with 4 mm Banana Plug, stackable	red	2
③	Test Lead 0.75 mm ² with 4 mm Banana Plug, stackable	black	2
④	Shrink tube Ø 5-6 mm, black, thin wall, 3:1	L = 30 mm	4
⑤	Shrink tube Ø 8-10 mm, transparent, thin wall, 2:1	L = 45 mm	2
⑥	Shrink tube Ø 10-12 mm, black, thin wall, adhesive, 3:1	L = 135 mm	1
⑦	Shrink tube Ø 12-14 mm, black, thin wall, 3:1	L = 110 mm	1

Figure 1. 173x/174x AUX Input Calibration Cable



Verification Box Assembly

This Verification Box provides more accurate voltages than a direct connection to the 5520A. The 5520A uses a divider with a 50 Ω output impedance when sourcing <330 mV. Due to variations in the Logger input impedance, the actual applied voltage is less than the programmed voltage. Using an external divider where the parallel resistance is ~30 Ω allows calculation of the applied voltage with confidence that the Logger input loading will not significantly impact the applied voltage.

Fluke recommends using a verification box that has a divider with 30 Ω across the Logger input and 10 kΩ in series with high side of the input. See Table 6 for instructions on how to make the verification box.

Table 6. 1730 Verification Box

hcf105.eps

Item	Description	Part Number/Info	Fluke Part Number	QTY
①	Multi-Contact Box: MA 524	Type: XKH-4/19/A Order-No.: 66.9045-33	NA	1
②	Resistor, Metal Foil 10 kΩ, ±0.1 %, 0.6 W, ±4.5 PPM	Red Plug/Red Socket	2114858	1
③	Resistor, 30 Ω, 1W, 1% 20 PPM	Red Socket/Black Socket + Bridge Black Plug/Socket	1757740	1

System Requirements

The system requirements for this verification procedure are:

- WinXP 32-bit, Windows 7 32/64-bit, Windows 8 32/64-bit, Windows 10 32/64-bit
- Monitor, 1280 x 1024 (@4:3) or 1440 x 900 (@16:10), wide-screen (16:10) at higher resolution recommended
- USB 2.0 port
- RS232 port or USB-to-RS232 converter to control the calibrator (optional)
- Microsoft Excel 2010 32-bit software or higher (versions below 2010 not tested)
- Fluke Energy Analyze software version 3.0 or higher

USB Communication

Range changes in the verification can require remote commands to set the range. To communicate between the PC and the Logger, the USB driver must be installed. This driver is installed when the Fluke Energy Analyze software is installed.

To find the COM port:

1. Make sure the instrument is powered and connected with the PC.
2. On the PC keyboard, push **Windows** key and type **R**.
3. Type **devmgmt.msc** and push **ENTER**.
4. Go to **Ports (COM & LPT)** and double-click to open the sub-tree.
5. Find **Fluke PQ Monitors/Loggers**. The port number is shown in parenthesis after this text, for example, (COM6).

For a detailed description of the spreadsheet, see the *How to Use the Spreadsheet* section.

How to Use the Spreadsheet

The Excel workbook, *Fluke17xx_354x-ExcelTool_Vx.xx.xlsm*, (ExcelTool-available at www.fluke.com), communicates with the Logger using remote commands through the USB ports. The Excel file supports the 5520A, 5522A, 5700A, and 5730A Calibrators.

Note

The Excel file uses macros. Make sure execution of macros is enabled on your PC.

Make sure that Fluke Energy Analyze is closed when using the Excel program. After closing Energy Analyze, disconnect and reconnect the USB cable or turn off and turn on the instrument to reset the communication protocol in the instrument.

You must know which COM port the Logger uses to communicate.

To find the COM port:

1. Make sure the instrument is powered and connected with the PC.
2. On the PC keyboard, push **Windows** key and type **R**.
3. Type **devmgmt.msc** and push **ENTER**.
4. Go to **Ports (COM & LPT)** and double-click to open the sub-tree.
5. Find **Fluke PQ Monitors/Loggers**. The port number is shown in parenthesis after this phrase, for example, (COM6).

The workbook contains sheets for various tasks:

- **Dashboard** – Live measurement parameters, set current input range/mode, COM port configuration
- **Phasor** – Displays a phasor diagram
- **Calibration & Verification** – Procedures to perform the calibration and verification

Dashboard

The Dashboard sheet provides all parameters at a glance that are available with the Meter and Power buttons on the instrument plus the phase angles and calculated Neutral current I_N . You can configure phase mapping, invert current inputs, and set the hardware range/mode of the current inputs, as well as configure the used COM port in the dashboard. These settings are used also in all other sheets. See Table 7.

Table 7. Dashboard in Excel Worksheet

The screenshot shows the 'Meter (3-ph WYE)' dashboard with the following data:

Phase	RMS	h01	$\phi (U_i \Rightarrow U_j)$
A/L ₁	235.306 V	235.238 V	0.00 °
B/L ₂	231.400 V	231.305 V	-119.62 °
C/L ₃	235.478 V	235.395 V	120.97 °

Phase	RMS	h01	$\phi (U_i \Rightarrow I_j)$
A/L ₁	5.319 A	5.318 A	-7.23 °
B/L ₂	4.876 A	4.874 A	-15.44 °
C/L ₃	4.859 A	4.859 A	-10.00 °

Neutral current: $I_N = 0.000$ A, $I_{Neutral} = 0.003$ A

Phase	THD Voltage	THD Current
A/L ₁	2.58 %	2.91 %
B/L ₂	2.65 %	2.15 %
C/L ₃	2.66 %	0.89 %

Parameter	Value
P	233.97
N	2.49
Z	0.26
u2	1.06%
u0	0.11%
Frequency	50.041 Hz

Active Power	Total
A/L ₁	1.2 kW
B/L ₂	1.1 kW
C/L ₃	1.1 kW
Total	3.455 kW

Apparent Power	Total
A/L ₁	1.3 kVA
B/L ₂	1.1 kVA
C/L ₃	1.1 kVA
Total	3.527 kVA

Non-Active Power	Total
A/L ₁	157.37 var
B/L ₂	301.64 var
C/L ₃	201.70 var
Total	706.631 var

Power Factor	Total
A/L ₁	0.992 i
B/L ₂	0.964 i
C/L ₃	0.984 i
Total	0.980 i

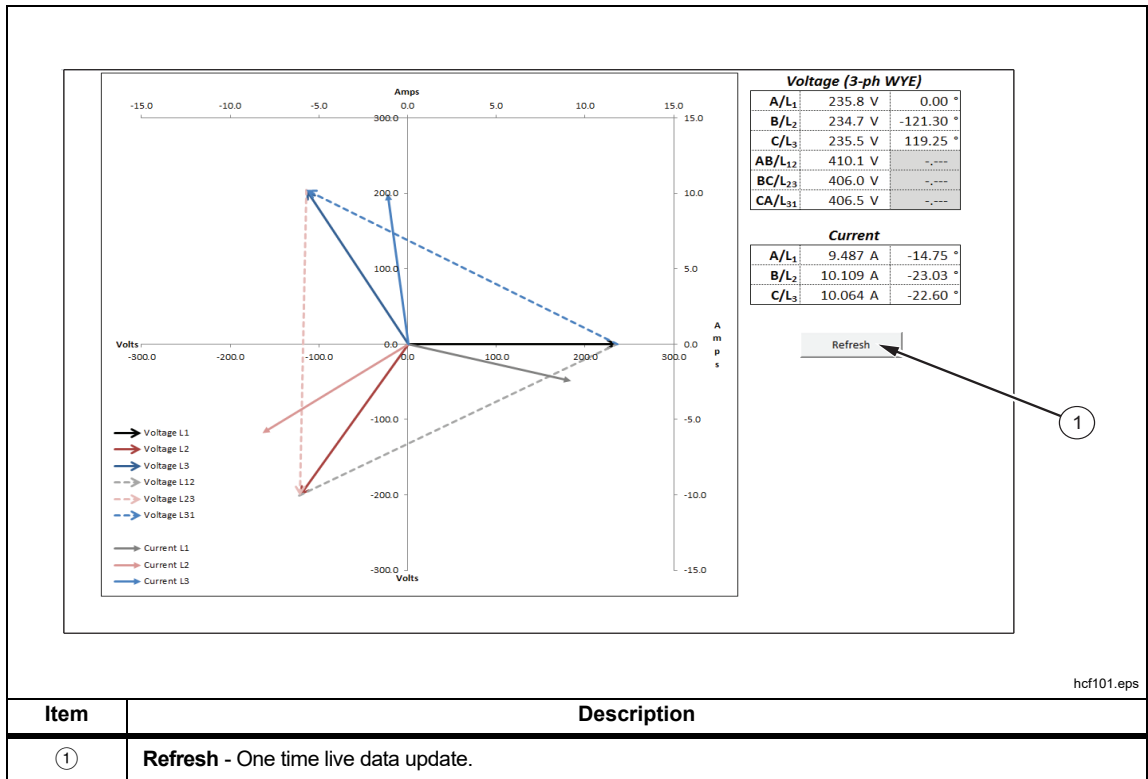
hcf100.eps

Item	Description
①	Start live data read-out. The readings are refreshed every 1 s. Use the same button to stop live updates. During the live updates only the Dashboard and Phasor sheets are accessible.
②	One time live data update.
③	Resets phase mapping and inverted current inputs to default.
④	Selected COM port. Click on the text to get a list of available COM ports. See <i>USB Communication</i> for instructions on how to identify the port used by the Logger.
⑤	Phase mapping and inverting current inputs.
⑥	Configure Range as AUTO, High, or Low. Different from the Measurement configuration dialog on the instrument, the settings High and Low can be configured without a connected sensor.
⑦	Configure the current input for Rogowski coils (Flexi coils) or Clamps. When set to AUTO, the attached accessory determines the configuration.

Phasor

The Phasor sheet provides live data read-out as a phasor diagram. See Table 8.

Table 8. Phasor in Excel Worksheet



Item	Description
①	Refresh - One time live data update.

hcf101.eps

Calibration and Verification

The Calibration and Verification sheet are the built-in procedures. See Table 9.

Table 9. Calibration and Verification in Excel Worksheet

Item	Description
	<p>The screenshot shows the '173x Calibration & Verification' software interface. At the top, there are fields for 'Date' (2/1/2016 15:37), 'Serial No.' (33111159), and 'Calibrator' (FLUKE 5520A, SN 9450012). Below these are 'Type/Range' and 'Applied Signal' settings. A central window titled '173x Calibration & Verification' is open, showing 'Verification' selected. It has sub-sections for 'Voltage Input', 'Aux Input', and 'Current Input'. A 'Sensor' dropdown is set to 'DIRECT'. A 'Start' button is circled with '2'. Below the software window is an Excel spreadsheet with columns for 'Lower Limit' and 'Phase Deviation (°)'. A 'Start' button in the top left of the software window is circled with '1'. Below the main screenshot are three smaller screenshots: 'Verification' (circled '3'), 'Calibration' (circled '4'), and 'Setup' (circled '6' and '7').</p>
①	Start button – When the selection window ② has been closed with Quit, click the Start button again to open.
②	Selection window – Click on Verification, Calibration, and Setup tabs to select the action. Close the window with Quit . Open again with Start ①.
③	Verification items – Select Voltage Input, AUX Input or Current Input to verify. For a Logger verification, all three items must be verified sequentially. Make sure the sensor selector ④ is set to DIRECT for the Logger verification. A specific order is not required.
④	Sensor selector – select items from the list for a verification of the accessory. Use DIRECT for the Fluke Logger verification.

Table 9. Calibration and Verification in Excel Worksheet (cont.)

Item	Description
⑤	Calibration items – Select Voltage, AUX Input or Current input for calibration. For a Logger calibration all three items need to be calibrated sequentially. A specific order is not required.
⑥	Calibrator Control setup – When the calibrator is connected to the PC using a RS232 cable select <i>Automatic</i> to control the calibrator. Use the drop-down list box to configure the COM port. Otherwise select <i>Manual</i> .
⑦	Voltage Divider setup – Configure the resistor values, R1 and R2, of the voltage divider for current verification. Store the Excel workbook to keep the applied values for future use.
Supported Calibrators: Fluke 5520A and 5522A with reference DMM 8508A. 5700A or 5730A for voltage verification/calibration only. Calibrator settings: Baud rate: 9600 Data bits: 8 Stop bit: 1 Parity: None Stall: XON/XOFF EOL: CR/LF	

Basic Instrument Setup for all Verifications

The *Fluke17xx_354x-ExcelTool_x.xx* (ExcelTool) has built-in procedures to verify and adjust the Logger. The Verification uses an external divider. This divider, (see *Verification Box Assembly*) provides more accurate voltages than a direct connection to the 5520A. The 5520A uses a divider with a 50 Ω output impedance when sourcing <330 mV. Due to variations in the Logger input impedance, the actual applied voltage is less than the programmed voltage. Using an external divider where the parallel resistance is ~30 Ω allows calculation of the applied voltage with confidence that the Logger input loading will not significantly impact the applied voltage.

The ExcelTool calculates the voltage that should be applied based on the values entered in the setup screen.

1. Apply power to the Logger using the power supply and line cord.
2. Turn on the Logger.
3. Connect the Logger USB to the PC and start *Energy Analyze*.
4. Go to **Instrument Setup > Measurement** tab.
5. Select **3-phase Wye** topology and set the scaling factors for voltage and current to **1:1**. Configure both AUX channels to use the wired ±10 V input.

Accuracy Verification Procedure

The procedure verifies the Power Logger accuracy at ambient temperature 23 °C ±5 °C (intrinsic error).

A complete accuracy verification of the Fluke 174x consists of:

- Voltage Measurement
- Current Measurement
- AUX Measurement
- Optional Flexi or Current Clamp Verification

Voltage Measurement

1. Select the setup. See *Basic Instrument Setup for all Verifications*.
2. Make sure the Logger is on battery power with ≥50 % charge.
3. Connect the 3PHVL-1730 "N" lead to the calibrator NORMAL LO.
4. Use the 552xA calibrator to:
 - a. Connect the calibrator NORMAL V output to the 3PHVL-1730 L1+L2+L3 leads.
 - b. Connect the calibrator NORMAL V output to the V input of the reference DMM.
 - c. Sequentially set the calibrator to the voltages indicated in Table 10 and check that the Logger reading is between the limits.

Note

Use the DMM readings as reference with the 552xA calibrator.

4. Do this for all ranges indicated in Table 10:
 - Set the calibrator to supply a 57.0 Hz sine wave for all voltages
 - Wait until each reading has stabilized

The spreadsheet is the first choice for readings. Readings will have more resolution from the spreadsheet.

5. Use Energy Analyze software and go to **Instrument Setup > Connection Verification** to see the voltage readings.

Table 10. Voltage Verification

Declared Nominal Voltage U _{din}	Range	Calibrator voltage 57 Hz sine wave	Minimum Reading -0.1 % of U _{din}	Maximum Reading +0.1 % of U _{din}
			for 10 % to 150 % of supported U _{din} : ± (0.1 % of U _{din}), otherwise 0.1 % of range	
120 V	1000 V	12 V	11.88 V	12.12 V
	1000 V	120 V	119.88 V	120.12 V
	1000 V	180 V	179.88 V	180.12 V
230 V	1000 V	23 V	22.77 V	23.23 V
	1000 V	230 V	229.77 V	230.23 V
	1000 V	345 V	344.77 V	345.23 V
480 V	1000 V	48 V	47.52 V	48.48 V
	1000 V	480 V	479.52 V	480.48 V
	1000 V	720 V	719.52 V	720.48 V
N/A	1000 V	1000 V	999 V	1001 V

6. When you are done, set the calibrator to Standby.

Current Measurement

Fluke recommends using a divider with 30 Ω across the Logger input and 10 kΩ in series with high side of the input:

- Fluke PN 2114858 (10 kΩ)
- Fluke PN 1757740 (30 Ω) – see Table 6 for the recommended assembly of this divider. Best practice is to measure the resistor values at time of use.

⚠ Caution

Be careful when you set the calibrator output voltages. High voltages applied to the current input will damage the Logger.

1. Connect the Voltage-to-Current Input Cable Assembly to the Power Logger current probe input. See Table 4.
2. Connect the 3PHVL-1730 "N" lead to the calibrator AUX LO.
3. Connect the calibrator AUX HI output to the 3PHVL-1730 L1+L2+L3 leads.
4. Stack the 173x/174x Calibration Cable Assembly together: red to red and black to black.
5. Plug the attenuator into the calibrator Normal HI and LO.
6. Connect the stacked Calibration Cable Assembly to the attenuator. Connect the black leads to NORMAL LO.

Note

For accurate results, it is important to connect the 173x/174x Calibration Cable Assemblies to all four current inputs on the device.

7. For all ranges in Table 11, set the calibrator to the voltages indicated in the given order. Check that the values are between the limits.

Table 11. Flexi Current Probe Input Verification

Range	Calibrator output ^[1] (57 Hz sine wave, 5V out AUX)	Nominal Reading	Logger Reading Limits
Direct Flexi Low	1.000 mV	1.000 mV	0.994 to 1.006
	10.000 mV	10.000 mV	9.967 to 0.033
	15.000 mV	15.000 mV	14.952 to 15.048
Direct Flexi High	10.00 mV	10.00 mV	9.94 to 10.06
	100.00 mV	100.00 mV	99.67 to 100.33
	150.00 mV	150.00 mV	149.52 to 150.48
Direct Clamp Low	5.00 mV	5.00 mV	4.98 to 5.02
	10.00 mV	10.00 mV	9.97 to 10.03
	50.00 mV	50.00 mV	49.89 to 50.11
Direct Clamp High	50.0 mV	50.0 mV	49.8 to 50.2
	100.0 mV	100.0 mV	99.7 to 100.3
	500.0 mV	500.0 mV	498.9 to 501.1
[1] Calibrator Output Impedance and Logger loading will effect actual voltage being applied. Use of divider and Spreadsheet described above recommended			

8. When you are finished, set the calibrator to Standby.

AUX Input Check

1. Connect 173x/174x AUX input calibration cable to the Logger AUX inputs.
2. Stack the two red banana plugs together and connect them to the calibrator Normal HI.
3. Stack the two black banana plugs together and connect them to the calibrator Normal LO.
4. For each voltage in Table 12, set the calibrator and check that the values are between the limits.

Table 12. AUX Input Verification

Calibrator Out DC Volts	Upper Limit Vdc	Lower Limit Vdc
-10.0000	-9.978	-10.022
-5.0000	-4.988	-5.012
-1.0000	-0.996	-1.004
-0.5000	-0.497	-0.503
-0.1000	-0.0978	-0.1022
-0.0100	-0.00798	-0.01202
0.0100	0.01202	0.00798
0.1000	0.1022	0.0978
0.5000	0.503	0.497
1.0000	1.004	0.996
5.0000	5.0122	4.9878
10.0000	10.022	9.978

5. Set the calibrator to Standby.

Optional Verification for Flexi or Clamp (Combined Logger and Probe Specifications)

This feature of the spreadsheet checks the Logger combined with current probes. These tests use the 552x and the 5500 Coil, or the 52120A Coil as an option. The Test Uncertainty Ratios (TUR) is typically <2:1. This system can only source 1000 A, consequently, this test will not be made at full-scale of the Flexi probes.

To connect the customer current probes to the Logger:

1. Connect the 3PHVL-1730 "N" lead to the calibrator NORMAL LO.
2. Connect the calibrator NORMAL V output to the 3PHVL-1730 L1+L2+L3 leads.
3. Connect the calibrator AUX jacks:
 - For the 5500 Coil verification (see Table 13) connect the 5500 coil to the calibrator and the black jack to AUX LO. For a i40S-EL clamp, connect a 5-turn coil to the calibrator. Connect the red jack to either the AUX jack when <3 A is requested or the 20 A jack when >3 A is requested.
 - For the 52120A Coil verification (see Table 14) connect calibrator AUX HI and LO to the 52120A INPUT HI and LO.
4. Connect the current probes under test:
 - For the 5500 Coil verification through the 5500 Coil with arrows pointing up for the correct phase match.
 - Pass the Flexi, or clamp under test through a single loop, or 3 KA coil, or 6 KA coil, with arrows pointing up for the correct phase match as indicated in the table.
5. The spreadsheet Verification tab has an Attached Sensor drop-down list box to select the probe that is connected.

6. Set the calibrator to source 100 V @ 57 Hz and the appropriate currents for the current probe under test.
- For the 5500 Coil verification (see Table 13) when the 20 A jack column is “No” use the AUX HI connections. When “Yes,” use a 20 A connection. The calibrator switches to the Standby mode when the jack requirement changes.
 - For the 52120A Coil verification (see Table 14) source the voltages listed in the table on the AUX jack, maintaining the 100 V @ 57 Hz out the Normal jacks.

Table 13. Clamp Current Probe Input Verification with 5500A/COIL

Type/Range	20 A Jack	5520A Voltage	Applied Signal	Upper Limit	Lower Limit
i40S-EL, Clamp 40A HIGH	No	0.08 A	0.4 A	0.4108	0.3892
i40S-EL, Clamp 40A HIGH	No	0.8 A	4 A	4.036	3.964
i40S-EL, Clamp 40A HIGH	Yes	8 A	40 A	40.288	39.712
i40S-EL, Clamp 40A LOW	No	0.008 A	0.04 A	0.04108	0.03892
i40S-EL, Clamp 40A LOW	No	0.08 A	0.4 A	0.4036	0.3964
i40S-EL, Clamp 40A LOW	No	0.8 A	4 A	4.0288	3.9712
i17xx-FLEX1.5KIP, Flexi 1500A HIGH	Yes	20 A	1000 A	1010.3	989.7
i17xx-FLEX1.5KIP, Flexi 1500A HIGH	Yes	10 A	500 A	505.3	494.7
i17xx-FLEX1.5KIP, Flexi 1500A HIGH	No	2 A	100 A	101.3	98.7
i17xx-FLEX1.5KIP, Flexi 1500A LOW	No	2 A	100 A	101.03	98.97
i17xx-FLEX1.5KIP, Flexi 1500A LOW	No	0.2 A	10 A	10.13	9.87
i17xx-FLEX1.5KIP, Flexi 1500A LOW	No	0.02 A	1 A	1.04	0.96
i17xx-FLEX3KIP, Flexi 3000A HIGH	Yes	20 A	1000 A	1010.9	989.1
i17xx-FLEX3KIP, Flexi 3000A HIGH	Yes	10 A	500 A	505.9	494.1
i17xx-FLEX3KIP, Flexi 3000A HIGH	No	2 A	100 A	101.9	98.1
i17xx-FLEX3KIP, Flexi 3000A LOW	No	2 A	100 A	101.09	98.91
i17xx-FLEX3KIP, Flexi 3000A LOW	No	0.2 A	10 A	10.19	9.81
i17xx-FLEX3KIP, Flexi 3000A LOW	No	0.02 A	1 A	1.10	0.90
i17xx-FLEX6KIP, Flexi 6000A HIGH	Yes	20 A	1000 A	1016.8	983.2
i17xx-FLEX6KIP, Flexi 6000A HIGH	Yes	10 A	500 A	509.3	490.7
i17xx-FLEX6KIP, Flexi 6000A HIGH	No	2 A	100 A	103.3	96.7
i17xx-FLEX6KIP, Flexi 6000A LOW	No	2 A	100 A	101.68	98.32
i17xx-FLEX6KIP, Flexi 6000A LOW	No	0.2 A	10 A	10.33	9.67
i17xx-FLEX6KIP, Flexi 6000A LOW	No	0.02 A	1 A	1.195	0.805

Table 14. Clamp Current Probe Input Verification with 52120A Coil

Type/Range	52120A Range	5520A Voltage	Applied Signal	Upper Limit	Lower Limit
i40S-EL, Clamp 40A HIGH	2 A	0.4 V	0.4 A	0.4108	0.3892
i40S-EL, Clamp 40A HIGH	20 A	0.4 V	4 A	4.036	3.964
i40S-EL, Clamp 40A HIGH	120 A	0.4 V	40 A	40.288	39.712
i40S-EL, Clamp 40A LOW	2 A	0.04 V	0.04 A	0.04108	0.03892
i40S-EL, Clamp 40A LOW	2 A	0.4 V	0.4 A	0.4036	0.3964
i40S-EL, Clamp 40A LOW	20 A	0.4 V	4 A	4.0288	3.9712
i17xx-FLEX1.5KIP, Flexi 1500A HIGH	120 A + 3 KA COIL ^[1]	0.6 V	1500 A	1515.3	1484.7
i17xx-FLEX1.5KIP, Flexi 1500A HIGH	120 A + 3 KA COIL ^[1]	0.32 V	800 A	808.3	791.7
i17xx-FLEX1.5KIP, Flexi 1500A HIGH	120 A	1 V	100 A	101.3	98.7
i17xx-FLEX1.5KIP, Flexi 1500A LOW	120 A	1.1 V	110 A	111.04	108.6
i17xx-FLEX1.5KIP, Flexi 1500A LOW	120 A	0.6 V	60 A	60.9	59.1
i17xx-FLEX1.5KIP, Flexi 1500A LOW	2 A	1 V	1 A	1.04	0.96
i17xx-FLEX3KIP, Flexi 3000A HIGH	120 A + 3 KA COIL ^[1]	1 V	2500 A	2525.9	2474.1
i17xx-FLEX3KIP, Flexi 3000A HIGH	120 A + 3 KA COIL ^[1]	0.48 V	1200 A	1212.9	1187.1
i17xx-FLEX3KIP, Flexi 3000A HIGH	120 A	1 V	110 A	101.6	98.4
i17xx-FLEX3KIP, Flexi 3000A LOW	120 A + 3 KA COIL ^[1]	0.1 V	250 A	253.4	246.6
i17xx-FLEX3KIP, Flexi 3000A LOW	120 A	1.1 V	110 A	112.0	108.0
i17xx-FLEX3KIP, Flexi 3000A LOW	2 A	1 V	1 A	1.07	0.93
i17xx-FLEX6KIP, Flexi 6000A HIGH	120 A + 6 KA COIL ^[1]	1.1 V	5500 A	5584.3	5415.7
i17xx-FLEX6KIP, Flexi 6000A HIGH	120 A + 6 KA COIL ^[1]	0.5 V	2500 A	2539.3	2460.7
i17xx-FLEX6KIP, Flexi 6000A HIGH	120 A	1 V	100 A	103.3	96.7
i17xx-FLEX6KIP, Flexi 6000A LOW	120 A + 6 KA COIL ^[1]	0.11 V	550 A	560.1	540.0
i17xx-FLEX6KIP, Flexi 6000A LOW	120 A	1.1 V	110 A	113.5	106.6
i17xx-FLEX6KIP, Flexi 6000A LOW	2 A	1 V	1 A	1.20	0.80

[1] Steps that use coils are for performance check only due to the low TUR (Test Uncertainty Ratio).

7. When you are done, set the calibrator to Standby.

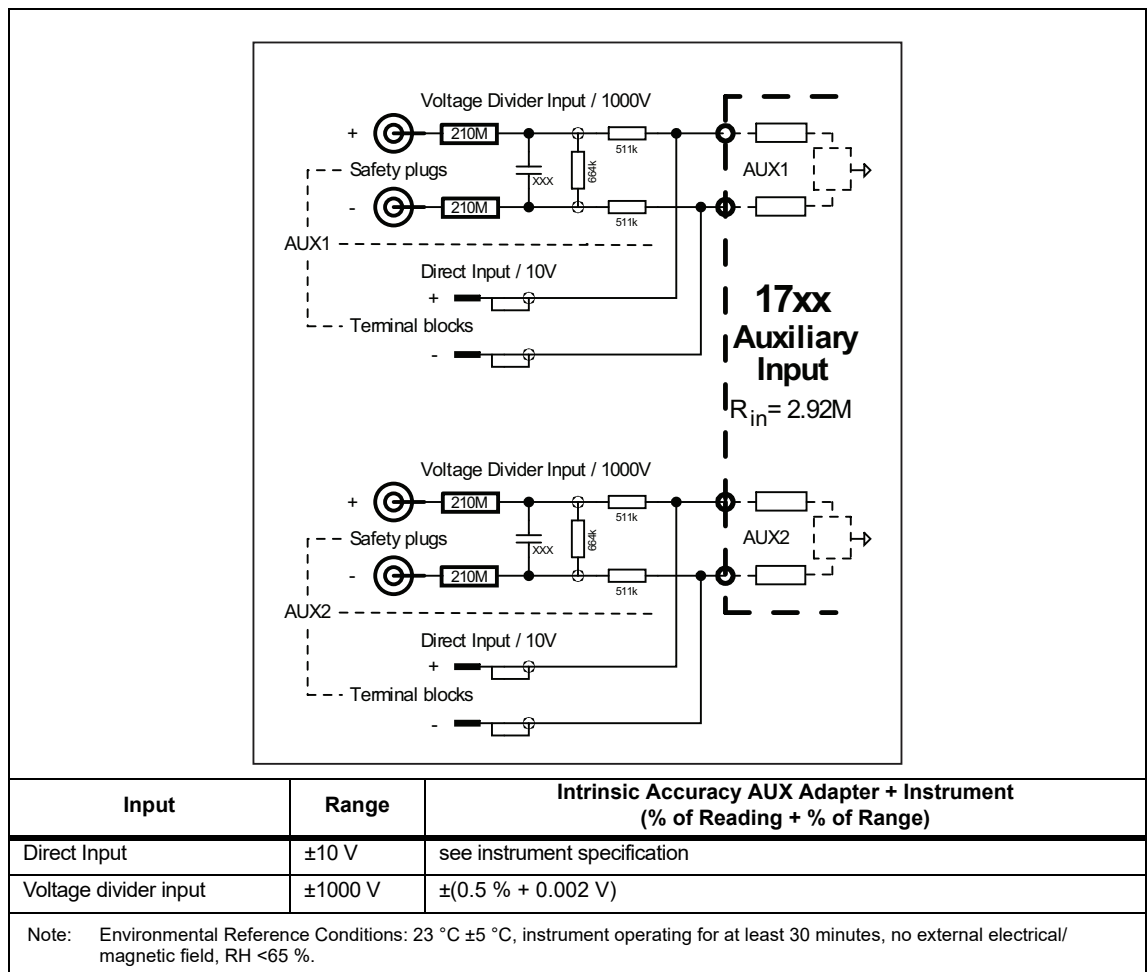
17xx Auxiliary Input Adapter Verification (1732/1734/1736/1738 Only)

The Auxiliary Input Adapter has a 1000:1 divider that can be verified with a calibrator and an 8846A. To connect to the Connector pins, use a banana-to-pin adapter (Pomona Electronics 4690 is recommended). See Table 15 and Table 16.

Table 15. 173x AUX Adapter Pin-out

Pin	Signal
1	AUX 1 +
2	AUX 1 -
3	AUX 2 +
4	AUX 2 -

Table 16. 173x AUX Voltage Divider Input



1. Connect the 4-pin connectors AUX 1 + (pin 1) to the 8846A INPUT HI.
2. Connect the 4-pin connectors AUX 1 – (pin 2) to the 8846A INPUT LO.
3. Connect the 17xx AUX Adapter box AUX 1 + and AUX 2 + to the calibrator Normal HI
4. Connect the 17xx AUX Adapter box AUX 1 – and AUX 2 – to the calibrator Normal LO.
5. Set the 8846A to DC V.
6. Apply the voltages in Table 17.
7. Verify that the AUX 1 readings are between the limits.

8. After the values are checked for AUX 1, move the 4-pin connectors leads to AUX 2; Pin 3 to the 8846A INPUT HI; pin 4 connected to the 8846A INPUT LO.
9. Apply the voltages in Table 17. Verify that the AUX 2 readings are between the limits.

Table 17. AUX Input Verification

Calibrator Out DC Volts Vdc	Lower Limit Vdc	Upper Limit Vdc
300.000	2.9848	3.0152
600.000	5.9698	6.0302
990.000	9.8503	9.09497

10. When finished, set the calibrator to Standby.

Calibration Adjust Procedure

This procedure adjusts the Logger accuracy at ambient temperature $23\text{ }^{\circ}\text{C} \pm 5\text{ }^{\circ}\text{C}$ (intrinsic error).

The required equipment and cables for calibrating the Product are listed in Table 3. See *USB Communication* for instructions on how to set up the PC.

⚠⚠ Warning

To prevent electrical shock, personal injury, or fire:

- **Do not perform the calibration procedures or calibration verification tests described in this manual unless you are qualified to do so.**
- **Repairs or service should be performed only by qualified personnel.**

The spreadsheet contains an automated adjust in the *Calibration & Verification* worksheet. When used, it provides connection instructions, can control the calibrator to apply the required voltage, and then will calculate and store the new calibration factors.

When this worksheet is active, the selection box should pop up. If not, click the **Start** button on the upper right of the worksheet.

In the Setup tab, only the calibrator control needs to be set (the Voltage divider is not used in the 174x Adjust).

To set the calibrator control:

1. Select the **Calibration** tab of the 17xx/354x Calibration & Verification pop-up. Choose Voltage, AUX, or Current calibration and check the boxes to select items for adjustment.
2. When selection is complete, click **Start**.
3. Follow the instructions provided in the automated procedure.

When the 17xx/354x Calibration & Verification popup box shows again, the calibration factors have been calculated and stored in the Logger.