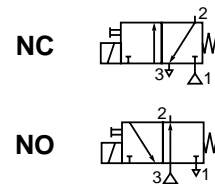


SOLENOID VALVES

ISO 15218 (CNOMO, size 30) interface
direct operated, pad mounting body
instant fittings or G 1/8 subbases



FEATURES

- Size 30 CNOMO pilot adapted for the piloting of actuators or spool valves
- Version with M12 connection, integrated Led and protection, in compliance with "UL" standard
- Manual operator as standard

GENERAL

Fluid	Air or neutral gaz, filtered, lubricated or not
Operating pressure	0 to 10 bar
Maximum allowable pressure	16 bar
Fluid temperature	-10°C to +60°C
Ambient temperature	-10°C to +60°C
Flow (Qv at 6 bar)	See "specifications"
Response time	5 ms
Base	ISO 15218 (CNOMO 06.05.80/NF E 49066, size 30)



CONSTRUCTION

Body	PA + FV (glass filled polyamide 6/6)
Pad mounting body	Ports 1 and 2 on subbase, port 3 tapped M5
Exhaust	M5 female (NC function)
Seals	NBR (nitrile)
Electrical equipment	Conforming to NF C79300 standard

ELECTRICAL CHARACTERISTICS

coil type	voltages	consumption		insulation class	protection degree	electrical connection	
		inrush	hold				
size 22	with pins	~ 24V-48V-115V-230V/50Hz	6VA	3,5VA (2,5W)	F	IP 65	spade plug size 22 connector, DIN 43650, 11 mm industry standard B
		= 24V-48V	2,5W/3W (hot/cold)				
	M12 with Led and protection	= 24V	2,5W/3W (hot/cold)		F	IP 65	M12 connection, 3 pins CNOMO E03.62.520.N

SPECIFICATIONS

orifice size (mm)	flow				allowable differential pressure (bar)		(M)	catalogue number				
	at 6 bar l/min (ANR)		coefficient Kv		min.	max.		without DIN connector	with DIN connector	with DIN connector with visual indicator (Led) and electrical protection (VDR)		with M12 connection
	1 → 2	2 → 3	1 → 2	2 → 3						24 V =	115 V ~	
NC - Normally closed												
1,2	50	56	0,7	0,8	0	10	×	18900025	18900007	(1)	(1)	-
							●	18900002	18900001	18900019	18900018	18900073

*10 bar on request (with coil size 25)

(M) Type of manual operator : X : without ● : maintained

(1) To obtain these versions, please order both the solenoid valve without connector , code : **18900025** and the connector with visual indicator (Led) and electrical protection (VDR), code : **88122405** (24V =) ou **88122407** (115V ~)

SUBBASES : see overleaf

OPTIONS

SOLENOID VALVE WITH COIL FOR DIN CONNECTOR

- Others voltages or 60 Hz frequency, on request
- NO function
- Solenoid head EEx complying with European standards for explosive atmospheres "m" (PV), zones 1-21
- Solenoid head for dusty explosive atmospheres (DU), zone 22
- Solenoid head "CSA" approved
- Conformity to standard "UL", catalogue number: **612100**
- Exhaust port regulator ØM5 adaptable on port 3 - catalogue number: **34600380**
- Connector with cable outlet, 2m long: **88122413**

SOLENOID VALVE WITH M12 CONNECTION COIL


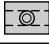


- Exhaust port regulator ØM5 adaptable on port 3 - catalogue number: **34600380**

OPTIONS

SOLENOID VALVE WITH COIL FOR DIN CONNECTOR


- Straight M12 connector with 5 female contacts, Ø4 to 6mm cable entry, catalogue number: **88100304**
- Straight M12 connector with 5 female contacts, Ø6 to 8mm cable entry, catalogue number: **88100256**
- Straight M12 connector with 5 female contacts, cable length 5m, catalogue number: **88130212**
- Right-angle M12 connector with 5 female contacts, cable length 5m, catalogue number: **88130213**

SUBBASES

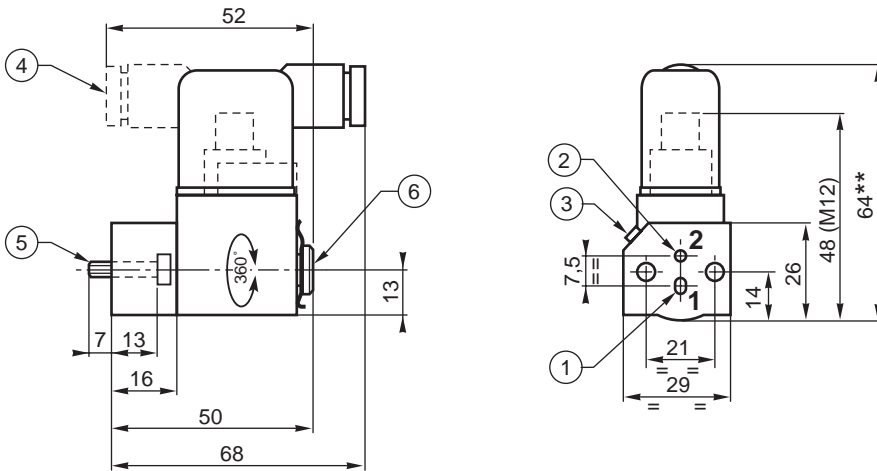
connection	description	composition	catalogue number
with instant fittings (6/6 polyamide subbases)	1 single subbase		35300069
	1 joinable subbase		35300070
	set of 2 joinable end subbases, right-hand pressure intake, ext. Ø 6 mm instant fitting	Plugged endpiece Instant fitting endpiece ext. Ø 6mm Ext. Ø 4 mm instant fitting subbases	35300071
	set of 2 joinable end subbases, right-hand and/or left-hand pressure intake, ext. Ø 6 mm instant fittings	Instant fitting endpiece ext. Ø 6mm Plug Instant fitting endpiece Ø 6mm Ext. Ø 4 mm instant fitting subbases	35300072 (1)
G 1/8 tapped (Zinc diecast subbases)	1 laterally-connected single subbase		35300047
	1 laterally-connected joinable subbase		35300048

(1) Equipment can be used for 2 different pressure intakes.

These subbases can be directly mounted on EN 50022 - AFNOR NF C63015 rail using 2 or more mounting clips (clips sold in packets of 10, cat no. **33400036**).

DIMENSIONS (mm), WEIGHTS (kg) 

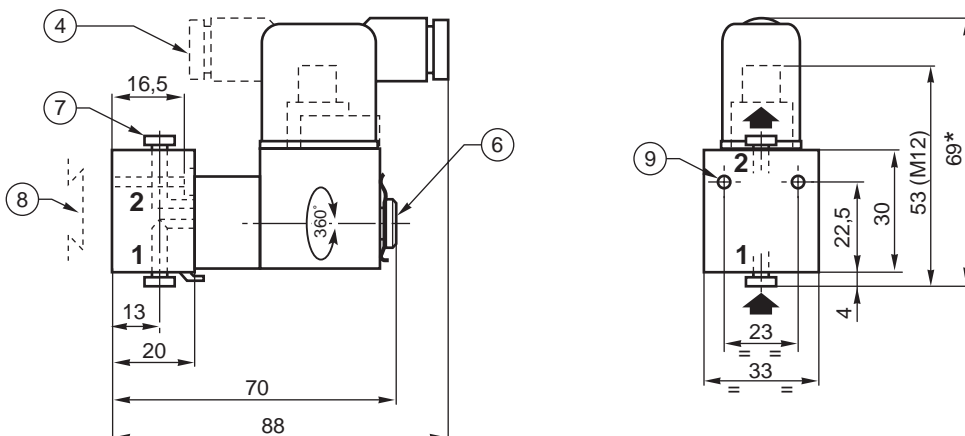
PAD MOUNTING SOLENOID VALVE ALONE



weight	
with DIN coil	with M12 connection
0,120	0,105

PAD MOUNTING SOLENOID VALVE ON SINGLE INSTANT-FITTING SUBBASE

Subbase: catalogue number **35300069**



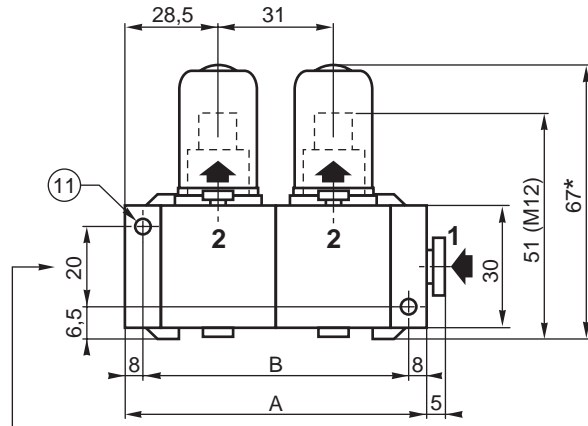
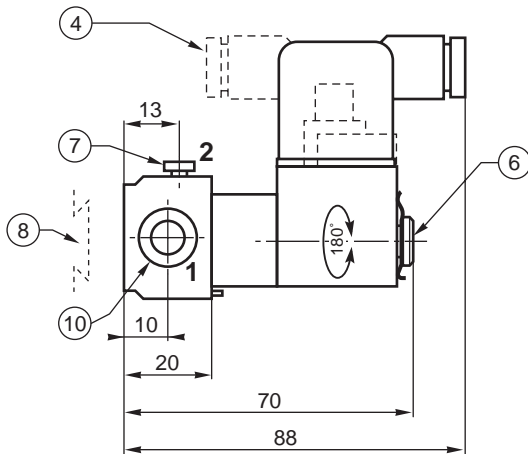
weight	
with DIN coil	with M12 connection
0,135	0,120

DIMENSIONS (mm), WEIGHTS (kg)

SOLENOID VALVE ON JOINABLE INSTANT-FITTING SUBBASE

Subbase: catalogue number **35300070**

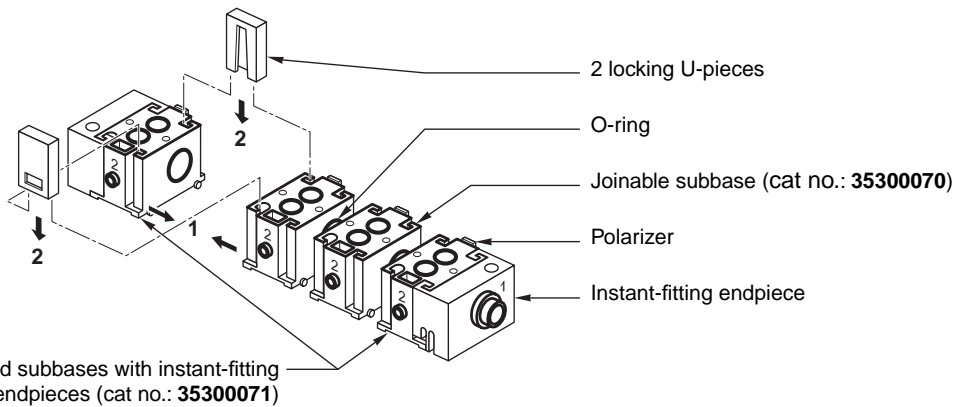
Subbases with endpieces: catalogue number **35300071**



Left-hand pressure intake option or 2 different pressure intakes by procuring the set of two end subbases with end pieces
Catalogue number: **35300072**

When mounted on DIN rail, it is recommended to use a securing clip on the end subbases as well as on the central subbase.

Assembly



- ① Port 1
- ② Port 2
- ③ Manual operator
- ④ Connector : size 22 rotatable by 180°
- ⑤ Fixing : two CM4x20 screws
- ⑥ Port 3 : connection Ø M5, depth 5,5
- ⑦ Instant-fitting connection for 4 mm OD tube
- ⑧ Adaptable clips
- ⑨ Mounting : two 3,5 dia securing holes, 6,5 dia counter-bores, depth 3,5
- ⑩ Instant-fitting connection for 6 mm OD tube
- ⑪ Mounting : 2 x Ø 4,5

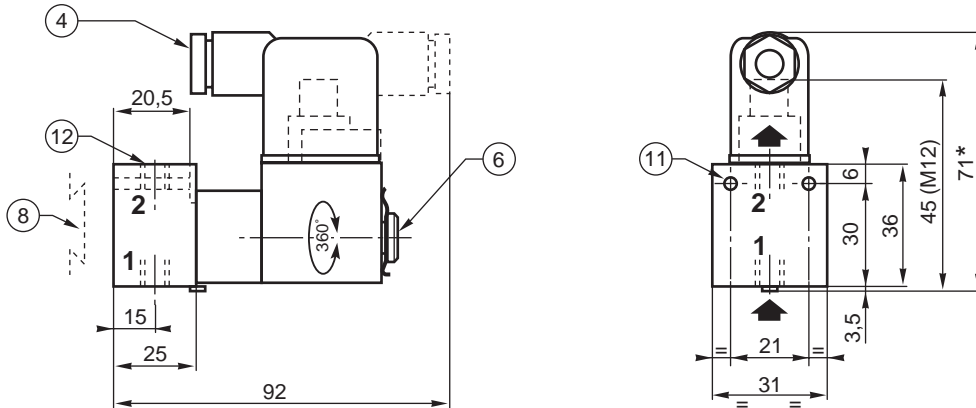
* + 15 mm for connector removal

number of subbases	A	B	weight with subbases	
			DIN coil	M12 connection
2	88	72	0,295	0,265
3	119	103	0,430	0,385
4	150	134	0,565	0,505
5	181	165	0,700	0,625
6	212	196	0,835	0,745
7	243	227	0,970	0,865
8	274	258	1,105	0,985

DIMENSIONS (mm), WEIGHTS (kg)

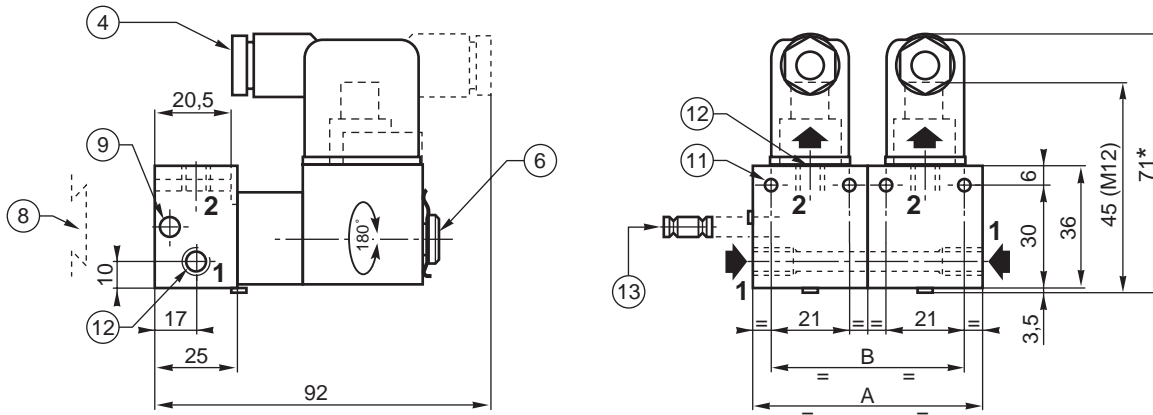
SOLENOID VALVE MOUNTED ON SINGLE SUBBASE

Subbase: catalogue number **35300047**

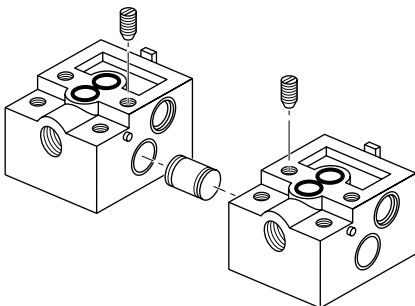


SOLENOID VALVE MOUNTED ON JOINABLE SUBBASE

Subbase: catalogue number **35300048**



Assembly



Joinable subbases assembled with adapter locked by sunk set screws

When mounted on DIN rail it is recommended to use a securing clip on each end subbase as well as on the central subbase.

- ④ Connector : size 22 rotatable by 180°
- ⑥ Port 3 : connection Ø M5, depth 5,5
- ⑧ Adaptable clips
- ⑨ Mounting : two 3,5 dia securing holes, 6,5 dia counter-bores, depth 3,5
- ⑪ Fixing : two CM4x20 screws
- ⑫ Ports 1 and 2 : G 1/8
- ⑬ Adapter

* + 15 mm for connector removal

number of subbases	A	B	weight with subbases	
			DIN coil	M12 connection
2	62	52	0,400	0,370
3	93	83	0,600	0,555
4	124	114	0,800	0,740
5	155	145	1,000	0,925
6	186	176	1,200	1,110
7	217	207	1,400	1,295
8	248	238	1,600	1,480

Subbases delivered with seals, set screws and joining unit for complete assembly.