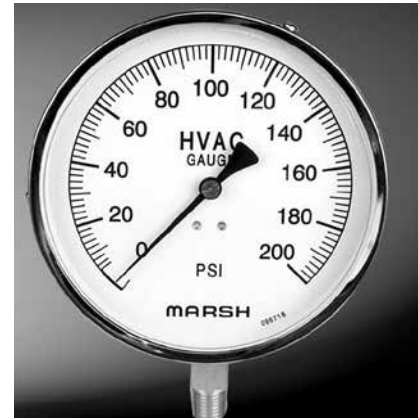


# HVAC/R Gauges



## CONTRACTOR'S GAUGE

- 4½" Dial
- Polished Stainless Steel Case
- Adjustable Pointer
- 1% Accuracy

Marsh Instruments Contractor's HVAC Service Gauge is a newly redesigned gauge with a long-life movement to meet the needs of contractors in air conditioning, heating, plumbing and refrigeration. This rugged and reliable gauge is economically priced and offers many features normally found on more expensive gauges such as adjustable pointer, acrylic lens and polished stainless steel case.

Marsh Instruments Contractor's Gauges are designed for use on plumbing and HVAC equipment.

### STANDARD RANGES & PART NUMBERS

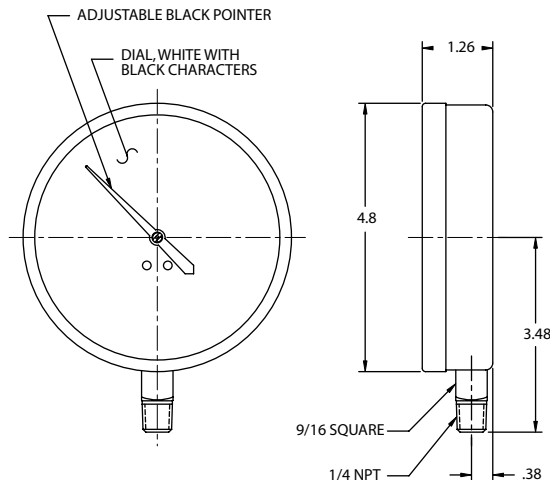
TYPE	CONTRACTOR'S GAUGES
Size	4½"
Case Material	Polished Stainless Steel
Internals	Copper Alloy
Mounting / Case Style	LM
Connection	¼ NPT
Scale Standard	psi
30" Hg VAC to 30 psi	W0480
30" Hg VAC to 160 psi	W0487
0 to 30 psi	W0481
0 to 60 psi	W0483
0 to 100 psi	W0484
0 to 160 psi	W0486
0 to 200 psi	W0488
0 to 300 psi	W0490
0 to 600 psi	W0492

### CONTRACTOR'S GAUGE OPTIONS

OPTION	TYPE	SUFFIX	AVAILABLE ON MODELS
Restrictors	Push Fit .008 or .018	H	all models
Catalog dials	psi and kPa	W3	all models
All other dials - consult factory for lead time			25 Piece minimum

### SPECIFICATIONS

- ACCURACY**  
ASME Grade A - ±2/1/2% (1% of range across middle half of scale)
- CASE SIZE**  
4½" diameter
- CASE MATERIAL**  
Polished stainless steel
- CASE STYLE**  
LM - Lower Mount
- TUBE & SOCKET**  
Copper alloy
- MOVEMENT**  
Brass sector and pinion
- CONNECTION**  
¼ NPT
- RANGES**  
Compound 30" Hg Vac to 160 psi;  
30 to 600 psi
- DIAL STANDARD**  
Single scale psi
- DIAL COLOR**  
Black markings on white
- POINTER**  
Aluminum, black painted
- WINDOW**  
Acrylic
- WEIGHT** 1.0 lb



ALL DIMENSIONS ARE NOMINAL