

82 Threaded Isolation Ring

FEATURES

- 360° instrument rotation and removal with Safe Quick Release™ (SQR™) option
- Process Connections ½ thru 2 NPT
- Selection of ½ or ¼ NPT instrument connection
- Non-clogging, low maintenance flow-thru design
- Ensures reliable and accurate pressure readings
- Attaches to a variety of instruments

TYPICAL USES

- Water and wastewater
- Mining
- Pulp and paper
- Chemicals



SPECIFICATIONS

Process connection:	½ thru 2 NPT
Flexible liner:	Buna, EPDM, natural rubber, Viton®, PTFE
Flange material:	316SS, carbon steel, PVDF
Body Material:	316SS or carbon steel
Instrument	
Connection Size:	¼ or ½ NPT
Pressure rating:	150 psi

ATTACHMENT OPTIONS

Direct connection
Safe Quick Release™ (SQR™)
Needle valve
Needle valve & Safe Quick Release™ (SQR™)

TEMPERATURE LIMITS

Liner process:	Buna-N	-30/225 °F (-34/107 °C)
	Viton	-15/350 °F (-25/177 °C)
	Natural rubber	-30/225 °F (-34/107 °C)
	EPDM	-40/300 °F (-40/149 °C)
Fill fluids:	Glycerin :	0/400 °F (-18/204 °C)
	Silicone (10Cst):	-40/500 °F (-40/260 °C)
	Halocarbon	-30/225 °F (-34/107 °C)

Consult Factory for Additional Fluids

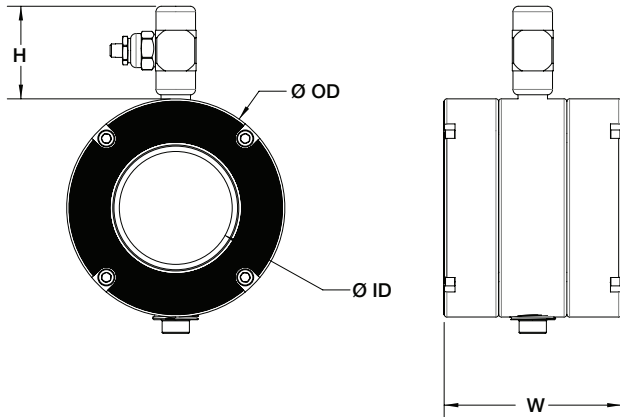
KEY BENEFITS

- Protects instrumentation from clogging
- Short lead times
- Economical design
- Variety of fill fluids for every application

Data Sheet

82 Threaded Isolation Ring

DIMENSIONS (dimensions in inches)



Nom. Pipe Size	Inner Dia. (ID)	Outer Dia. (OD)	Width (W)	Flange Thread (NPT-TPI)	Height		
					(None)	(Valve)	(SQR)
½"	1.05	3.00	3.00	.5 - 14	0	1.70	2.04
1"	1.05	3.00	3.25	1 - 11.5			
1½"	1.61	3.50	3.25	1½ - 11.5			
2"	2.07	4.00	3.25	2 - 11.5			

ORDERING CODE

Example:

82 50 E B B 02T N 000 CK

Type	82	50	E	B	B	02T	N	000	CK
Threaded Isolation Ring	82								
Size									
½ NPT		50							
1 NPT		01							
1.5 NPT		15							
2 NPT		02							
Inner Flexible Wall									
Buna			E						
Viton			Y						
EPDM			P						
Natural Rubber			R						
PTFE (2 NPT only)			T						
Flange Material									
Carbon Steel				B					
Stainless Steel				S					
PVDF				F					
Body Material									
Carbon Steel					B				
Stainless Steel					S				
Instrument Connection									
¼ NPT						02T			
½ NPT						04T			
Instrument Removal Option									
Direct Mount (Standard)							N		
Needle Valve							V		
Safe Quick Release™ (SQR™)							Q		
Needle Valve and (SQR™)							Z		
Flange Class									
Not Applicable to Type 82								000	
Fill Fluid (When attached to an instrument)									
Silicone (50 cSt)									CK
Silicone (10 cSt)									DJ
Halocarbon									CF