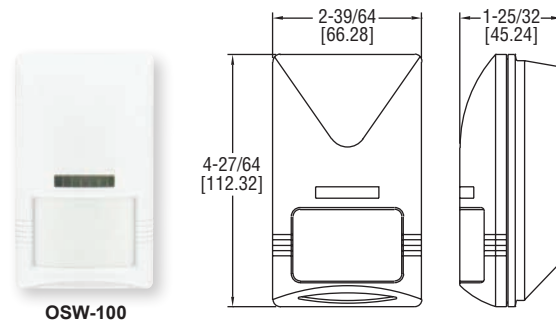
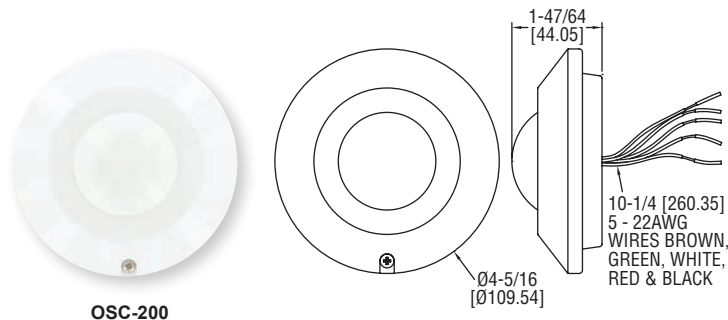


# OCCUPANCY SENSOR

## Wide Viewing Angle, Easy To Install



The **MODEL OSC-200** Omnidirectional Occupancy Sensor helps to automate building control systems. A spherical Fresnel lens provides a 360° detection zone with the use of infrared technology.

The **MODEL OSW-100** Wall Mount Occupancy Sensor is an infrared sensor designed to help automate building control systems. The Model OSW-100 has a wide 110° viewing angle to capture movement up to 49.2' (15 m) away.

### FEATURES/BENEFITS

- Delay processor suppresses switch activation during momentary occupancy

### APPLICATIONS

- Lighting control
- Building energy conservation

### SPECIFICATIONS

**Infrared Sensor:** Dual element.

**Range:** OSC-200: 34.4' (10.5 m) diameter at 13.8' (4.2 m) mount height; OSW-100: 49.2' (15 m).

**Detectable Speed:** 0.33 to 9.8 ft/s (0.1 to 3.0 m/s).

**Control Output Rating:** SPDT, 0.2 A @ 30 VDC.

**Ambient Operating Temperature:** -4 to 140°F (-20 to 60°C).

**Power Consumption:** Standby: 5 mA; Operating: 18 mA.

**Mounting Height:** OSC-200: 7.9 to 13.8' (2.4 to 4.2 m); OSW-100: 5.9 to 11.8' (1.8 to 3.6 m).

**Power Requirements:** 22 to 26 VAC/DC.

**Weight:** OSC-200: 2.4 oz (68 g); OSW-100: 3.2 oz (90.7 g).

**Agency Approvals:** CE.

### MODEL CHART

Model	Description
OSC-200	Omnidirectional occupancy sensor
OSW-100	Wall mount occupancy sensor