



FITTINGS AND TEES

Saddles, Tees, and Weld/Braze Fittings for Series PDWS



PWF-B-PXX



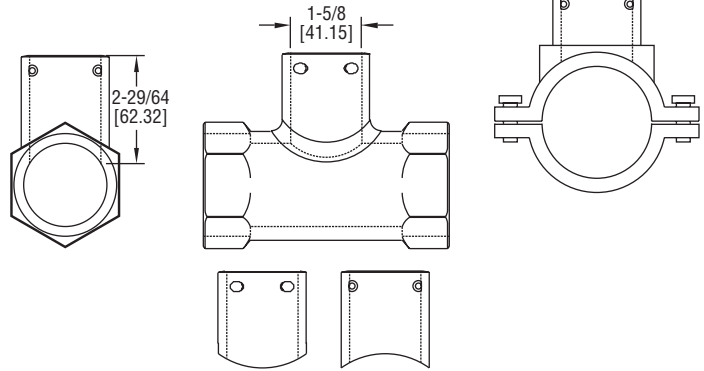
PWF-S-BXX



PWF-S-DXX



PWF-T-SFT-SS



The **SERIES PWF** Fittings and Tees are to be used with the Series PDWS Insertion Paddlewheel Flow Sensors. The Series PWF allows for accurate sensor insertion of the Series PDWS in a wide range of pipe sizes. These fittings and tees are available in bronze, 304 SS, 316 SS, and PVC, further expanding application prospects.

FEATURES/BENEFITS

- Multiple end connections are available to allow for easy installation in a variety of applications

APPLICATIONS

- Irrigation
- Ground water remediation
- Cooling systems
- Pump protection
- Leak detection
- Filtration systems

SPECIFICATIONS

- Service:** Compatible liquids.
- Wetted Materials:** See model chart.
- Temperature Limits:** See model chart.
- Pressure Limits:** See model chart.
- Connections:** 1/2 to 8".
- Weight:** Consult factory.

MODEL CHART - TEE FITTING

Model	Description	PDWS-1XX							
		1/2"	3/4"	1"	1-1/2"	2"	3"	4"	
PWF-T-BFS	Bronze/female sweat (for copper tubing)	X	X	X	X	X	X	X	
PWF-T-BFT	Bronze/female thread	X	X	X	X	X	X	X	
PWF-T-PME	PVC/male stub end	X	X	X	X	X	X	X	
PWF-T-CFT	Carbon steel/female thread	X	X	X	X	X	X	X	
PWF-T-SFT	304 SS/female thread	X	X	X	X	X	X	X	
-SS	All 316 SS option	X	X	X	X	X	X	X	
-HP	High pressure option (SS or CS only)	X	X	X	X	X	X	X	

⑥ Items are subject to Schedule B discounts.

MODEL CHART - SADDLE FITTING

Model	Description	PDWS-1XX		PDWS-2XX	
		3"	4"	6"	8"
PWF-S-DXX	Ductile iron	X	X	X	X
PWF-S-PXX	PVC	X	X	X	X
PWF-S-BXX	Bronze	X	X	X	X
-LPS	Installed on 16" long pipe stub option (PVC only)	X	X	X	X

⑥ Items are subject to Schedule B discounts.

MODEL CHART - WELD/BRAZE FITTING

Model	Description	PDWS-1XX		PDWS-2XX	
		3"	4"	6"	8"
PWF-W-BXX	Bronze	X	X	X	X
PWF-W-CXX	Carbon steel	X	X	X	X
PWF-W-SXX	316 stainless steel	X	X	X	X
-HP	High pressure option (SS or CS only)	X	X	X	X

⑥ Items are subject to Schedule B discounts.

Example: PWF-T-CFT-0050-S

To order an all 316 SS female thread 1/2" tee for Series PDWS-1XX Paddlewheel Flow Meter.