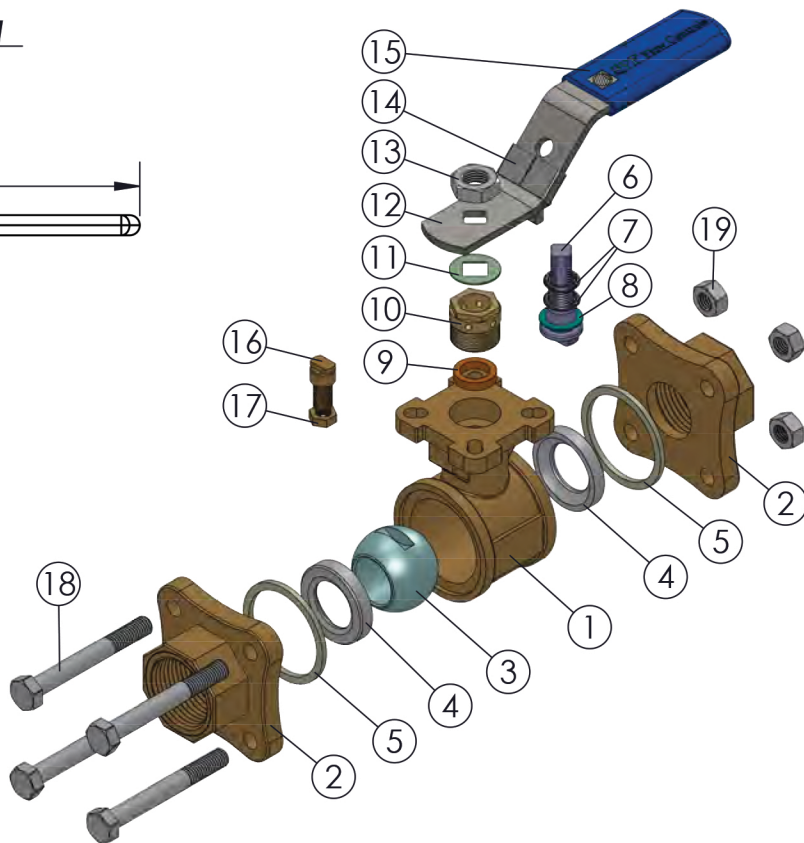
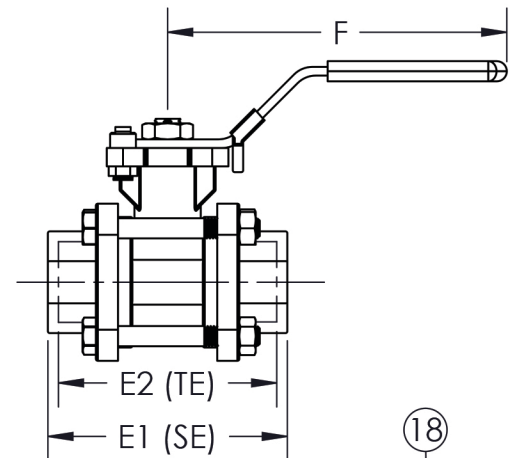
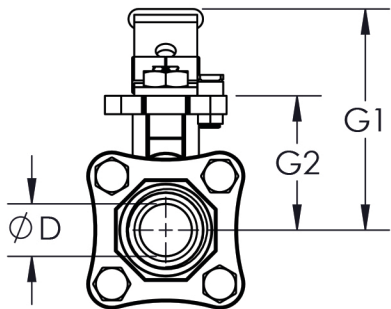


* AT FULL DIFFERENTIAL PRESSURE FOR CLEAN FLUIDS WITH PTFE SEATS

SIZE	A	øD	E1	E2	F	G1	G2	H	øL1	øL2	J	øK1	øK2	øO	NPT THREAD	ISO 5211	WEIGHT (lbs)	Cv	TORQUE* (in-lbf)	BODY BOLT SIZE	BODY NUT SIZE
1/2"	0.38 (10)	0.59 (15)	2.91 (74)	2.60 (66)	4.4 (111)	2.72 (69)	1.57 (40)	1.9 (48)	1.42 (36)	1.65 (42)	0.35 (9)	0.24 (6)	0.24 (6)	0.63 (16)	1/2"-14NPT	F03-F04	1.7	23	31	M6-1.0 X 50	M6-1.0P
3/4"	0.43 (11)	0.81 (21)	3.19 (81)	3.07 (78)	4.4 (111)	3.09 (79)	1.85 (47)	1.9 (48)	1.42 (36)	1.65 (42)	0.35 (9)	0.24 (6)	0.24 (6)	0.88 (22)	3/4"-14NPT	F03-F04	2.2	50	66	M6-1.0 X 55	M6-1.0P
1"	0.45 (11)	0.98 (25)	3.74 (95)	3.62 (92)	5.0 (127)	3.37 (86)	2.05 (52)	1.9 (48)	1.65 (42)	1.97 (50)	0.43 (11)	0.24 (6)	0.26 (7)	1.13 (29)	1"-11.5NPT	F04-F05	3.1	57	113	M8-1.25 X 65	M8-1.25P
1-1/2"	0.54 (14)	1.50 (38)	4.37 (111)	4.53 (115)	5.9 (149)	4.51 (115)	2.83 (72)	2.7 (69)	1.97 (50)	2.76 (70)	0.55 (14)	0.26 (7)	0.33 (8)	1.63 (41)	1-1/2"-11.5NPT	F05-F07	5.9	170	240	M8-1.25 X 80	M8-1.25P
2"	0.54 (14)	1.97 (50)	5.20 (132)	5.71 (145)	5.9 (149)	4.94 (126)	3.15 (80)	2.8 (71)	1.97 (50)	2.76 (70)	0.55 (14)	0.26 (7)	0.33 (8)	2.13 (54)	2"-11.5NPT	F05-F07	8.9	340	260	M8-1.25 X 100	M8-1.25P



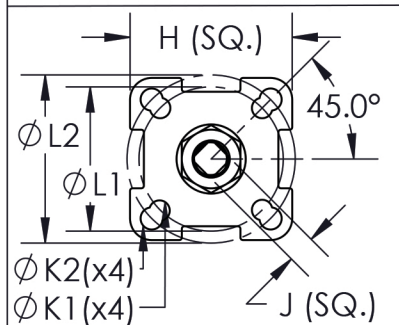
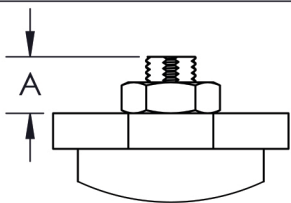
PRODUCT INFORMATION:

1. END CONNECTIONS AVAILABLE IN: SCREWED (FNPT), AND SWEAT (FOR COPPER TUBING)
2. SERVICES INCLUDE: OXYGEN CLEANING, DEGREASING, AND VENT/RELIEF HOLE
3. BALL IS VENTED ON STEM SLOT AREA
4. LOCKING DEVICE IS A STANDARD COMPONENT
5. COMPLETE VALVE AUTOMATION

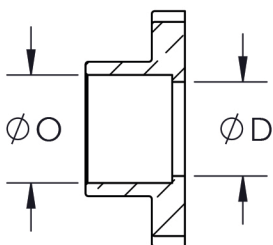
APPLICABLE STANDARDS:

1. API 598: INSPECTION AND TESTING
2. ISO 5211: MOUNTING
3. ANSI B1.20.1: NPT
4. CGA G-4.1: CLEANING FOR OXYGEN SERVICE
5. USP CLASS VI: CONFIRMATION OF COMPLIANCE (PTFE MATERIAL)

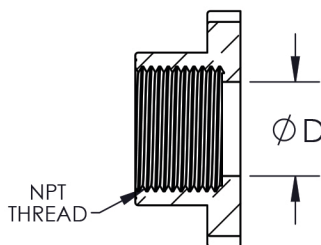
TOPWORKS



END CONFIGURATIONS:



SWEAT END



SCREWED END

ITEM NO.	DESCRIPTION	MATERIALS	QTY.
1	BODY	BRONZE C84400	1
2	END	BRONZE C84400	2
3	BALL	316 STAINLESS STEEL	1
4	SEAT	PTFE	2
5	BODY SEAL	PTFE	2
6	STEM	316 STAINLESS STEEL	1
7	O-RING	NBR	2
8	STEM THRUST WASHER	PTFE	1
9	GLAND PACKING	PTFE	1
10	GLAND	BRASS	1
11	WASHER	304 STAINLESS STEEL	1
12	LEVER HANDLE	304 STAINLESS STEEL	1
13	HANDLE NUT	304 STAINLESS STEEL	1
14	LOCKING DEVICE	304 STAINLESS STEEL	1
15	HANDLE SLEEVE	PVC	1
16	STOP PIN	BRASS	1
17	STOP NUT	BRASS	1
18	BODY BOLT	304 STAINLESS STEEL	4
19	BODY NUT	304 STAINLESS STEEL	4

DRAWN BY C.L.	DATE 08/02/2017
CHECKED BY E.P.	DATE 03/11/2019
APPROVED BY J.S. <small>(FOR USE ONLY IF NOT APPROVED)</small>	DATE 03/11/2019
<small>THE INFORMATION CONTAINED IN THIS DRAWING IS THE SOLE PROPERTY OF SVF FLOW CONTROLS, INC. ANY REPRODUCTION IN PART OR IN WHOLE WITHOUT THE WRITTEN CONSENT OF SVF FLOW CONTROLS, INC. IS PROHIBITED.</small>	



DESCRIPTION:
1/2" - 2" BZ9 3-PIECE BALL VALVE, FULL PORT

UNITS: INCH (MILLIMETERS)	DATE: 03/11/2019	REV: C
---------------------------	------------------	--------