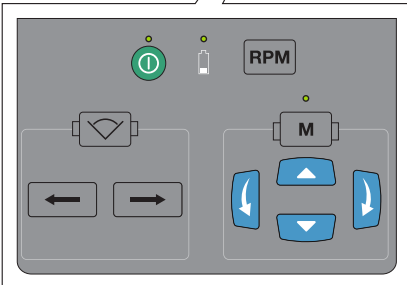
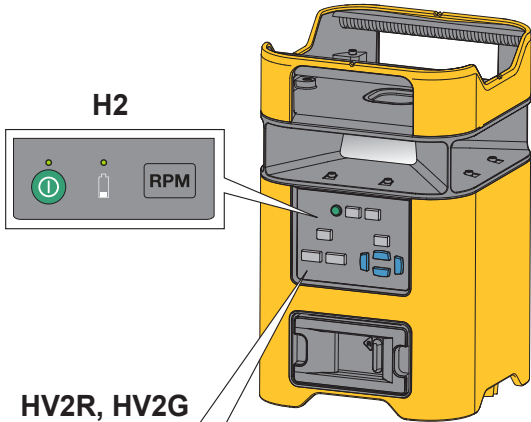


H2, HV2R, HV2G Rotary Laser Levels



www.plslaser.com



① =

= $> 5^\circ$

= 1 sec

① HV2R, HV2G SYS/KIT

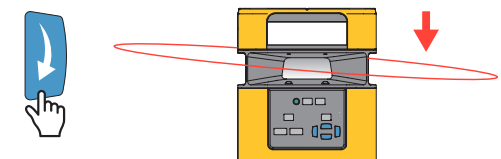
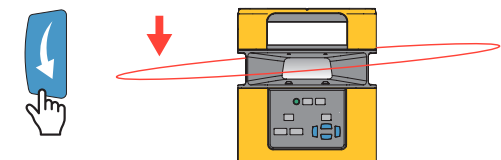
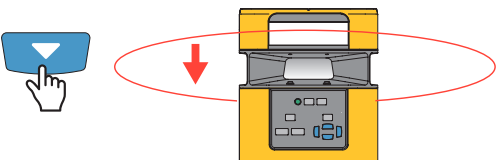
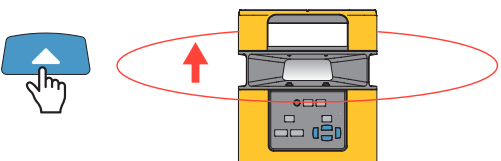
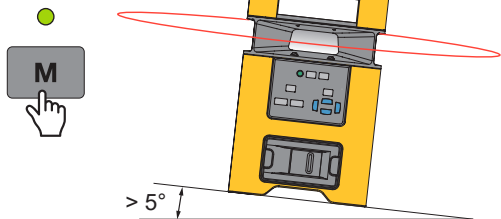
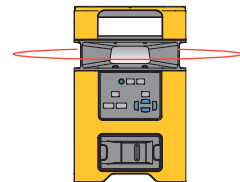
= 10 sec

RPM

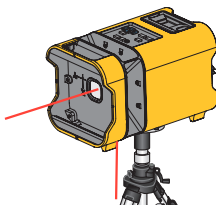
	H2	HV2R, HV2G
0x	600 RPM	600 RPM
1x	150 RPM	150 RPM
2x	300 RPM	300 RPM
3x	600 RPM	600 RPM
4x	150 RPM	0 RPM

HV2R, HV2G

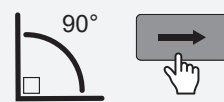
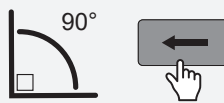
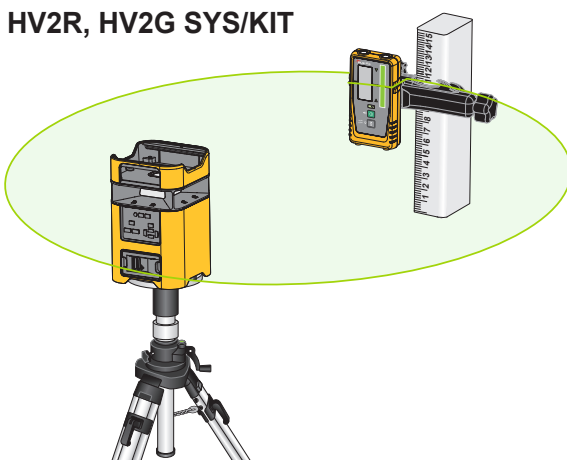
0x	0 RPM
1x	150 RPM
2x	300 RPM
3x	600 RPM
4x	0 RPM

M**HV2R, HV2G****HV2R, HV2G**

0x	360°
1x	10°
2x	45°
3x	90°
4x	10°

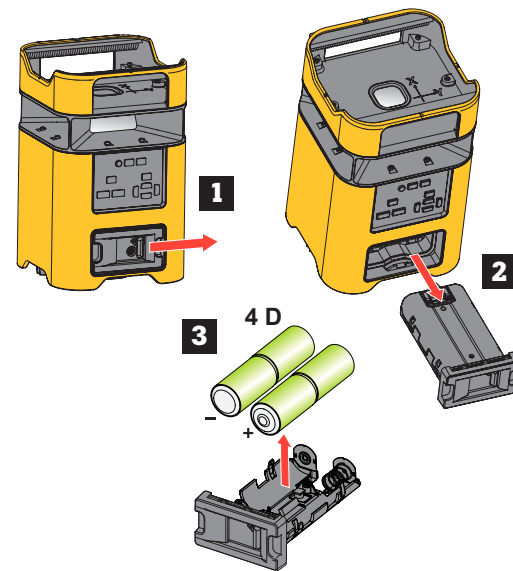


0x	0°
1x	10°
2x	45°
3x	90°
4x	10°

**HV2R, HV2G SYS/KIT**

>20 %

≤20 %

**NiMH****H2, HV2R, HV2G SYS/KIT**