

Type 2071A Commercial Gauges



FEATURES

- *Aluminum back flanged case (black) with attractive chrome-plated steel ring*
- *Adjustable pointer as standard*
- *ASME B40.100, Grade A accuracy ($\pm 2-1-2\%$)*

The tradition of providing accurate, distinctive, reliable pressure instruments continues in Ashcroft 4½" Type 2071A commercial gauges.

Ashcroft 4½" Type 2071A, Contractor gauges, are constructed with a back flanged aluminum case, painted black, and a chrome ring with a glass window. These gauges are designed to meet the needs of heating, ventilating, plumbing and air conditioning contractors. The accuracy of these gauges is ASME B40.100, Grade A, $\pm 2-1-2\%$.

Incorporated in Type 2071A gauges is the PowerFlex™ movement. This movement provides superior resistance to shock, vibration, and pulsation; thereby assuring longer life for your pressure instrument.

True Zero™ indication, a standard feature on these gauges, reduces the potential risk of installing a damaged gauge on your equipment. Other benefits of this unique safety feature include reduced manufacturing and inspection costs.

COMMONLY USED ON

HVAC, plumbing applications

PRODUCT SPECIFICATIONS

Ashcroft® Model No.: 2071A

Size:	4½"
Case:	Black painted aluminum with back flange
Ring:	Chrome plated steel, friction fit
Window:	Glass
Dial:	Black figures on white background, aluminum
Pointer:	Adjustable, black, aluminum
Bourdon Tube:	"C"- shaped bronze, soldered, siphon required for steam service
Movement:	PowerFlex™ with polyester segment
Socket:	Brass
Connection:	¼ NPT lower
Ranges:	Vacuum – 600 psi and compound
Accuracy:	ASME B40.100, Grade A, $\pm 2-1-2\%$
Operating Temperature:	-40°F to 150°F, -40°C to 65°C

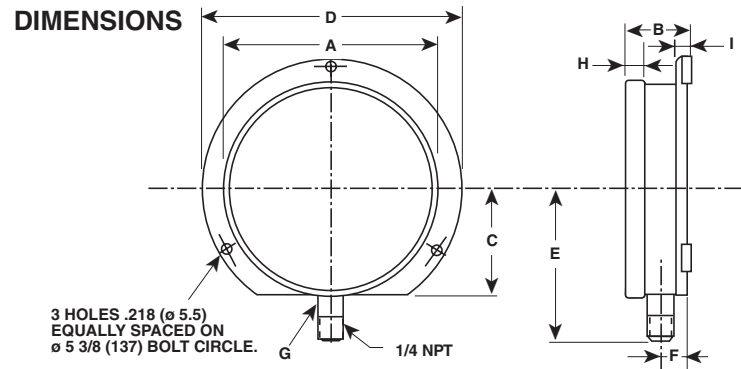
OPTIONAL FEATURES

Case:	Case color (other than black)
Window:	Plastic
Pointer:	Non-adjustable
Socket:	Nickel plated Throttle plugs – 0.007, "0.013, "0.020, "0.063" orifices
Others:	Customized dials Non-standard ranges Special calibration on application

HOW TO ORDER (Typical example)

	45	W	2071	A	02L	XT5	100#
Dial Size: 4½"							
Movement: Patented PowerFlex™							
Case Type Number: 2071							
Connection Material: Brass							
Connection Size/Location: ¼ NPT Lower							
Option: .013" orifice throttle plug							
Range: 100 psi							

Type 2071A Commercial Gauges



TYPE 2071A

T-2071A 4 1/2"	A	B	C	D	E	F	Wrench Flats G	H	I	Weight
Inches	4.75	1.41	2.38	5.81	3.38	0.47	9/16	0.42	0.25	17.21 oz
(mm)	(121)	(36)	(60)	(148)	(86)	(12)	(14)	(11)	(6)	.488 kg