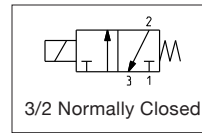


- The S Series solenoid valves are designed for use with air and inert gases
- Compact light-weight architecture and low power consumption make them ideal for portable medical devices
- Larger orifice sizes and vacuum capability make these valves extremely versatile across multiple disciplines
- Available in a variety of different porting configurations for manifold and in-line mounting
- Meets all relevant CE directives, and is RoHS compliant
- Typical applications include:
 - Respiratory Therapy
 - Anesthesia Delivery
 - Dental
 - Industrial Gas Analyzers



Fluids*	Temperature Range	Seal Materials*
Air or Inert Gases ¹	-23 °C to 66 °C (-10 °F to 150 °F)	FKM (fluoroelastomer)

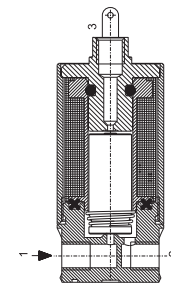
¹ Filtered at 10µm

* Ensure that the compatibility of the fluids in contact with the materials is verified

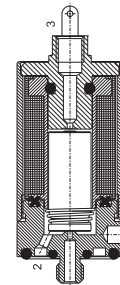
General Valve Information*	
Body	Stainless steel
Seals	FKM, EPDM available on request
Others	Stainless steel
Response Time	< 10ms
Vacuum Rating	-1 bar (-14.5 psi)

* Other materials on request

Electrical Characteristics	
Standard Voltages	12 VDC, 24 VDC
Power Consumption	0.65, 2.0 W



3/2 NC Line Mount



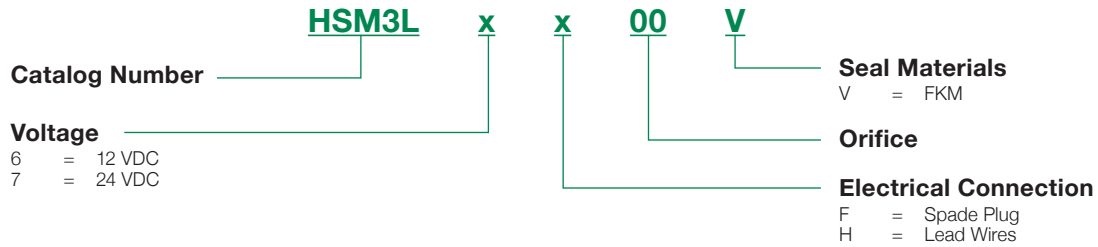
3/2 NC Manifold Mount

Insulation Class	Coil Insulation °C (°F)	Protection VA	Power Ratings				Ambient Temperature Range °C (°F)	Electrical Connection	Type ¹
			Inrush VA	Holding VA W		Hot/Cold W			
B	-	IP40 (EN 60529)	-	-	-	1.5/1.5	-23 to 66 (-10 to 150)	Spade plug or lead wires 20 AWG, length 300mm (11.8in)	01

¹ Refer to the dimensional drawings on the following page

Specifications											
Connection	Orifice Size		Flow Coefficient		Pressure Differential bar (psi)			Power Coil		Catalog Number	
	mm (inches)		Kv (m ³ /h)	Cv	min.	max.		W	W	Threaded Body	Screw-in Type Body
	Port 1	Port 2				air and gases					
3/2 NC - Normally Closed											
M5	0.75 (0.03)	1 (0.04)	0.016	0.018	-0.9 (-13)	-	7 (102)	-	1.5	HSM3Lxx00V	HSM3Mxx00V
	1 (0.04)	1 (0.04)	0.025	0.029	-0.9 (-13)	-	7 (102)	-	1.5	HSM3Lxx10V	HSM3Mxx10V
	2 (0.08)	1 (0.04)	0.058	0.067	-0.9 (-13)	-	3.5 (51)	-	1.5	HSM3Lxx50V	HSM3Mxx50V

How to Order

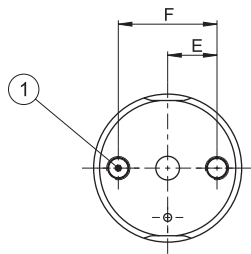


Dimensions: mm (inches)

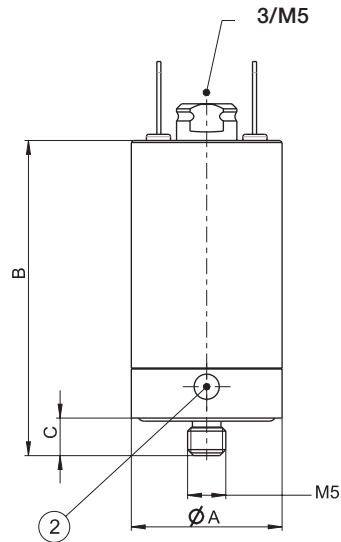
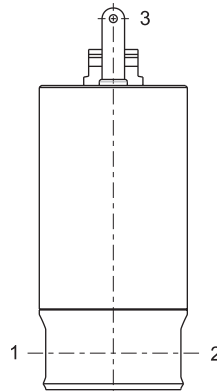
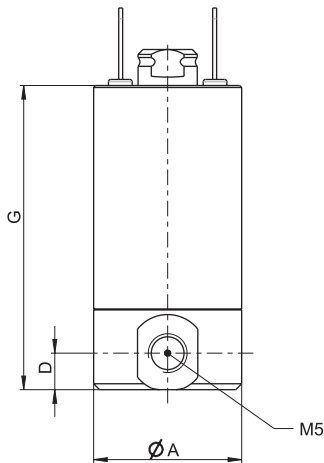
Dimensional Drawings

HSM3Lxx00V/HSM3Lxx10V/HSM3Lxx50V
 HSM3Lxx00V/HSM3Lxx10V/HSM3Lxx50V

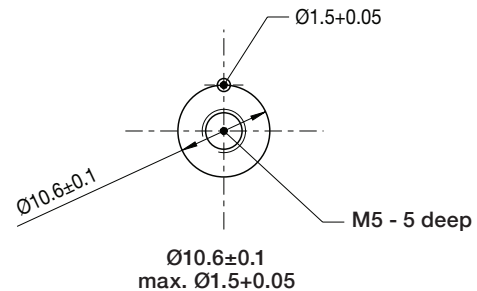
HSM3Mxx00V/HSM3Mxx10V/HSM3Mxx50V
 HSM3Mxx00V/HSM3Mxx10V/HSM3Mxx50V



- ① 2 mounting holes ØM3x0.5
- ② Mounting with hook spanner wrench DIN 1810B



Manifold Mounting Pattern



Connection Type	Catalog Number	A	B	C	D	E	F	G
threaded body	HSM3Lxx00V/HSM3Lxx10V/HSM3Lxx50V HSM3Lxx00V/HSM3Lxx10V/HSM3Lxx50V	19.05 (0.75)	-	-	4.7 (0.18)	6.35 (0.25)	12.7 (0.50)	39.11 (1.54)
screw-in type body	HSM3Mxx00V/HSM3Mxx10V/HSM3Mxx50V HSM3Mxx00V/HSM3Mxx10V/HSM3Mxx50V	19.05 (0.75)	39.62 (1.56)	4.8 (0.19)	-	-	-	-

Options

- EPDM seals available on request
- Oxygen service
- Other pipe connections available on request (10-32 UNF-3B)

Installation

- The solenoid valves can be mounted in any position without affecting operation
- Threaded solenoid valves have 2 mounting holes in body