

# COMPACT ULTRASONIC FLOWMETER

Cost Effective, Compact & Adjustable Design, Non-Invasive



Scan here  
to watch  
product video

The **MODEL UFM** Compact Ultrasonic Flowmeters is an economical, clamp-on, ultrasonic flowmeter. The Model UFM implements the transit-time difference to measure flow rates in pipes and can measure velocity and flow in pipes with outside diameters ranging from 0.98 to 4.62" (24.89 to 117.35 mm). This model comes with a volume pulse and 4 to 20 mA flow rate output.

## FEATURES/BENEFITS

- Non-invasive pipe measurement
- Simple installation with all necessary components included such as converter, sensor, cables and mounting accessories
- Compact and lightweight design, featuring an easily installed, all in one clamp-on unit intended for homogeneous liquids that contain no air
- Screen offers easy to read text displaying both flow rate and total with a convenient backlight for visual comfort

## APPLICATIONS

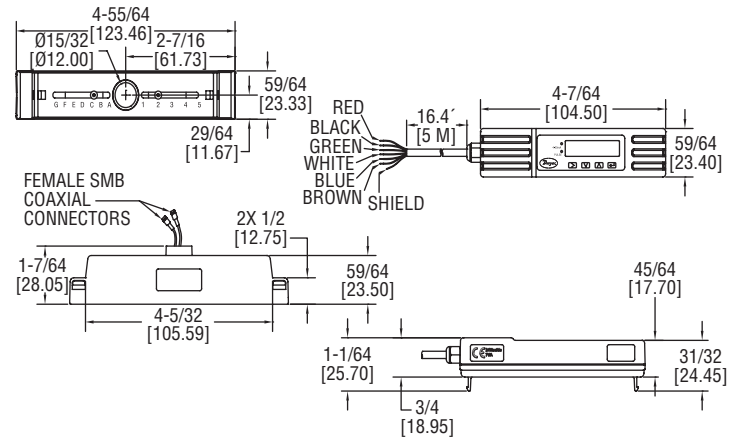
- Flow measurement for heat metering
- Chilled water metering & monitoring
- Potable water metering & monitoring
- Process water metering & monitoring

## KIT INCLUDES

- Converter with adjustable guiderail
- Set of 1.81 to 2.75" (46 to 70 mm) clamps
- Set of 2 to 5" (51 to 127 mm) clamps
- Set of small pipe adaptor circle clamps
- Set of small pipe adaptor V clamps
- Ultrasonic coupling grease

## MODEL CHART

Model	Description
UFM-1	Compact ultrasonic flowmeter



## SPECIFICATIONS

**Service:** Clean water with < 3% by volume of particulate content.  
**Range:** 0.33 to 32.8 ft/s (0.1 to 10 m/s).  
**Display:** Backlit: 3.27" H x 0.74" W (83.1 mm x 18.8 mm), 2 line x 16 characters.  
**Accuracy:** ±3% of flow reading for > 0.98 ft/s (> 0.3 m/s).  
**Power Requirements:** 12 to 24 VDC or VAC.  
**Power Consumption:** 7 W max.  
**Temperature Limits:** Process: 32 to 185°F (0 to 85°C); Ambient: 32 to 122°F (0 to 50°C).  
**Outputs:** Analog: 1 opto-isolated: 4 to 20 mA; Error current: 3.5 mA; Load resistance: 620 Ω max; Pulse: 1 opto-isolated MOSFET relay, 500 mA max, 166 pps max, 200 Hz max.

**Enclosure Rating:** IP54.  
**Enclosure Material:** Plastic polycarbonate.  
**Repeatability:** ±0.5% of measured value.  
**Electrical Connections:** 16.4" (5 m) cable.  
**Response Time:** < 1 s.  
**Weight:** 2.9 lb (1.315 kg).  
**Agency Approvals:** CE.

## ADDITIONAL SPECIFICATIONS

**Applicable Pipe Material:** Steel, copper, or plastic.  
**Pipe Outside Diameter:** 0.98 to 4.62" (24.89 to 117.35 mm).  
**Applicable Pipe Lining:** None.  
**Pipe Wall Thickness:** 0.02 to 0.39" (0.5 to 10 mm).

## OPTION

Use order code:	Description
NISTCAL-FU	NIST traceable calibration certificate