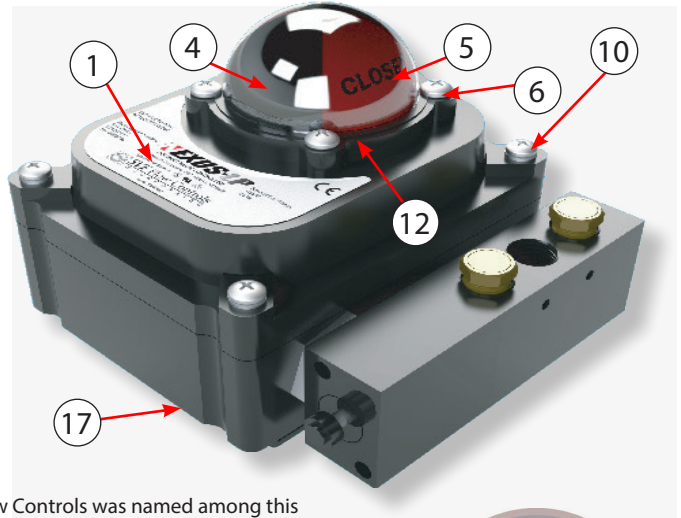


NEXUS-LP™ is a discrete valve controller providing an optimized solution for on/off valve control & position sensing for the process industries. Equipped with a low watt miniature pilot valve and position switches or sensors, the NEXUS-LP™ helps plants, platforms, and pipelines improve productivity and increase safety in the harshest environments and toughest applications.

NEXUSLP DESIGN FEATURES

- ✓ Integrated Solution (switches, sensors, pilot and spool valve in a single platform)
- ✓ NEMA 4/4X, IP67 certified
- ✓ Suitable for use on rotary applications for double acting or spring return actuators
- ✓ NAMUR and ISO 5211 adjustable mounting bracket
- ✓ 5/2 Aluminum spool valve, anodized and polyester coated
- ✓ 2 x 1/2" NPT conduit entries
- ✓ Single pilot actuated, with manual operator (Cv=1.4)
- ✓ Optional C3 Coil for Intrinsic Safe Applications

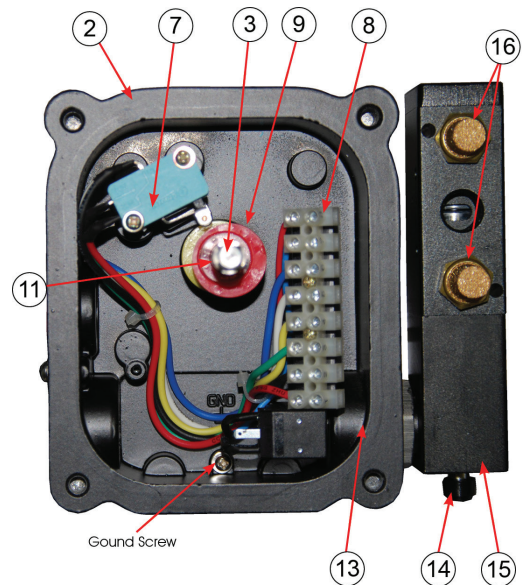


MATERIALS OF CONSTRUCTION

ITEM	DESCRIPTION	MATERIALS SPECIFICATIONS
1	Box Cover	Die Cast Aluminum*
2	Box Housing	Die Cast Aluminum*
3	Shaft	Stainless Steel
4	Indicator Cover	Polycarbonate
5	Indicator	ABS
6	Indicator Fasteners	Stainless Steel
7	Switches	Mechanical Switches
8	Terminal Strip	Polycarbonate
9	Cams	Polycarbonate
10	Cover Fasteners	Stainless Steel
11	Shaft O-Ring	Buna "N"
12	Indicator O-Ring	Buna "N"
13	Pilot Base	Die Cast Aluminum
14	Manual Operator	Die Cast Aluminum
15	Spool Valve	Die Cast Aluminum
16	Breathers	Copper Alloy
17	Mounting Bracket	Carbon Steel

*With Polyester Coating

SVF Flow Controls was named among this year's Flow Control Innovation Awards winners for the key innovations represented by our NEXUS-LP/LPX Integrated Solenoid Valve & Limit Switch System. Based on votes from readers of Flow Control Magazine, the NEXUS-LP/LPX was honored this year for novel features and contributions to the process of fluid movement, measurement and/or containment.



WORKING PRESSURE: 40 psi ~ 120 psi (2.8 bar ~ 8 bar)
 WORKING MEDIUM: Filtered and dried air
 TEMPERATURE RATING: -4 °F ~ +185 °F (-20 °C ~ +85 °C)

NEXUSLP™ DIMENSIONS AND WEIGHT

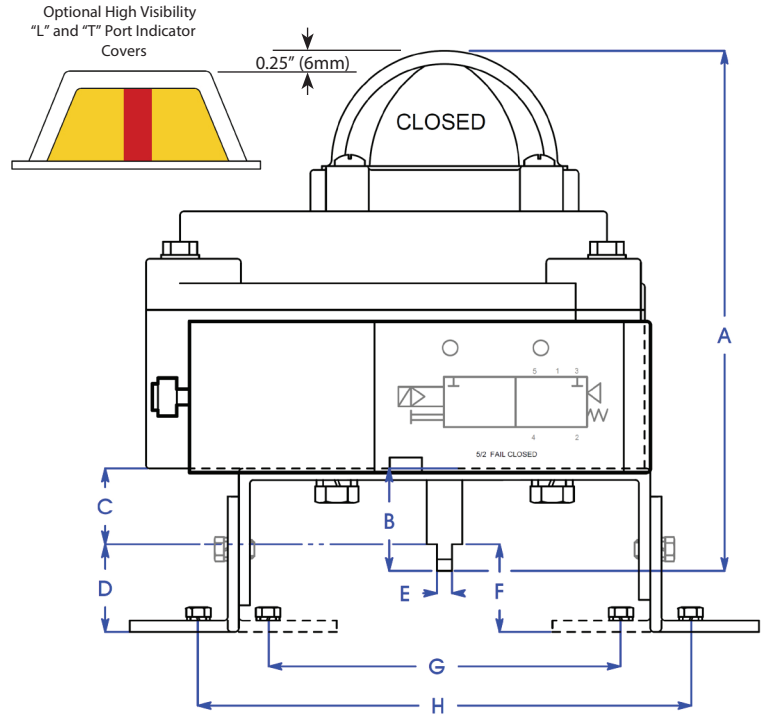
Item	Dimension	
	in.	mm
A	5.43	138
B	1.06	27
C	0.79	20
D	1.18	30
E	0.16	4
F	0.79	20
G	3.15	80
H	5.12	130
J	5.20	132
K	5.65	144
L	4.33	110
M	0.43	11
N	4.53	115
P	1.50	38
R	1.18	30
S	1.06	27
T	1.57	40

Weight:
2.5lbs. (1.13 kg)

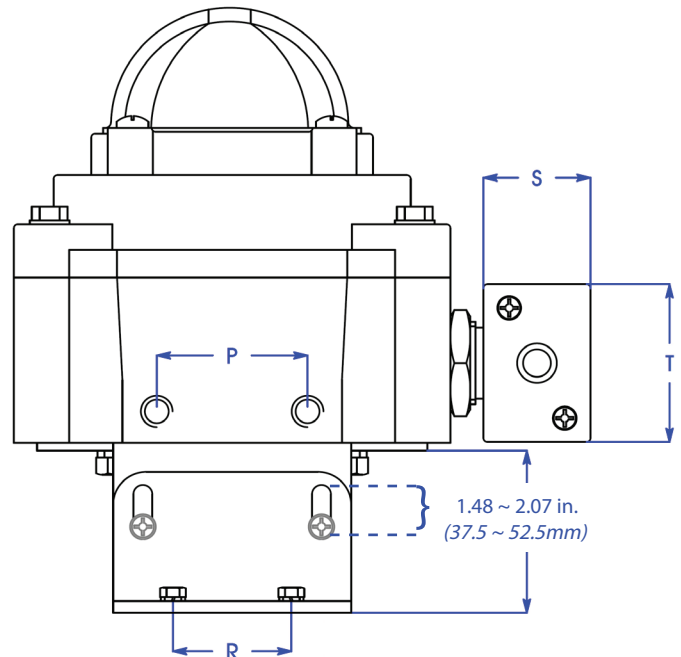
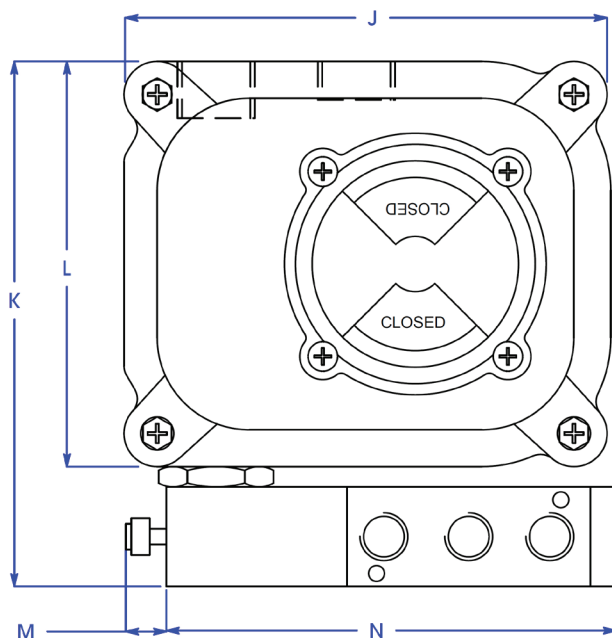
NEXUS-LP™
Discrete VALVE CONTROLLER



NEXUS-LP™
Discrete Valve Controller
shown with *aero2*
actuator &
SVF B41C ANSI Class
150# Flanged Ball Valve.
(Shown with optional
stainless steel tubing)



The overall height of the NEXUS-LP including the mounting bracket is:
5.93" when installing on *aero2* models A2DS-10 ~ A2DS-500 (Quad4 Models Q15 ~ Q45)
6.33" when installing on *aero2* models A2DS-550 ~ A2DS-700 (Quad4 Models Q60 & Q75)



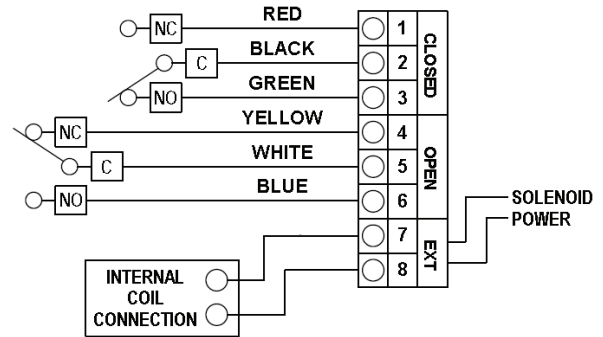
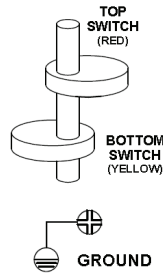
WIRING DIAGRAM



Wiring Diagram located inside top cover.

See next page for Wiring Diagrams for Optional Switches & Sensors

Mechanical Switches M2B= (Standard) 2 SPDT, 15A 125-250VAC
Part # NEXUSLP(*)M2B(**) - Wiring Diagram # WDNX2PM2C

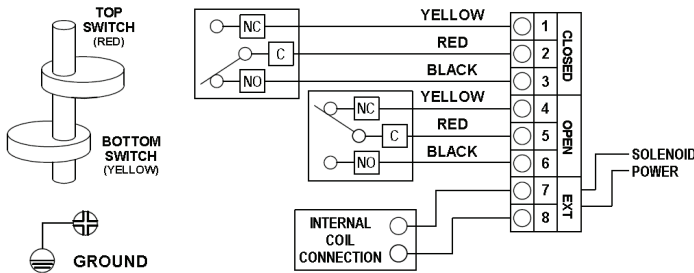


HOW TO ORDER GUIDE

SERIES	PILOT COIL VOLTAGE	SWITCHES/SENSORS	POSITION INDICATOR
<p>NEXUSLP= TWO POSITION DISCRETE VALVE CONTROLLER</p> <p>NEMA 4, 4X. IP67</p>  <p>Order Example: (NEXUSLP4M2B)</p> <p>NEXUS-LP two-position discrete valve controller, 110VAC (Standard), M2B Mechanical Switches (Standard), 90 Degree Open/Closed Position Indicator.</p> <p><i>NEXUSLP</i></p>	<p>4 = 110 VAC (< 2.8VA) (Standard)</p> <p>2 = C2 Coil 24VDC (< 1.3 W)</p> <p>5 = 220VAC (< 2.8VA)</p> <p>For Intrinsically Safe*</p> <p>3 = C3 Coil 24VDC (<1W)</p>	<p>Mechanical Switches M2B= (Standard) 2 SPDT 15A 125-250VAC, 3A/24VDC</p> <p>M50= 2 DPDT 15A 125-250VAC, 3A/24VDC</p> <p><u>Optional Switches:</u> Proximity Sensors</p> <p>Q30 = Magnetic Reed Switch 2 SPDT 5-240VAC/VDC, 300mA</p> <p>P30 = Inductive NPN-NO 3 wire 10-30 VDC, 150mA</p> <p>P3A = Inductive NPN-NC 3 wire 10-30 VDC, 150mA</p> <p>P3B = Inductive PNP-NO 3 wire 10-30 VDC, 150mA</p> <p>P3C = Inductive PNP-NC 3 wire 10-30 VDC, 150mA</p> <p>PP0 = (P & F) Inductive, NC 2 wire 8VDC, 1mA</p> <p>P20 = Inductive, NO 2 wire 10-30VDC, 150mA</p>	<p>Leave Blank for Standard 90 degree Position Indicator Yellow Open, Red Closed</p>  <p>L = High Visibility Three Way "L" Yellow Base, Red Flow Bar</p>  <p>T = High Visibility Three Way "T" Yellow Base, Red Flow Bar</p>  <p>Consult SVF for other options available.</p> <p><i>(BLANK)</i></p>

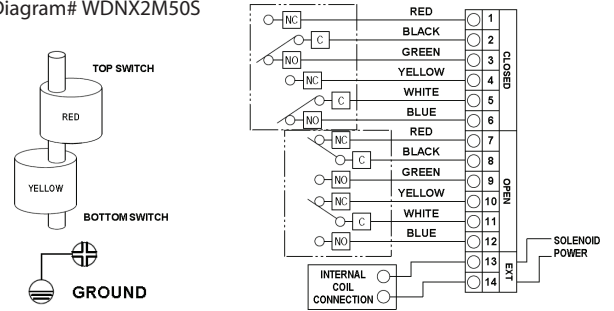
WIRING DIAGRAM

Wiring Diagram# WDNX2Q30S



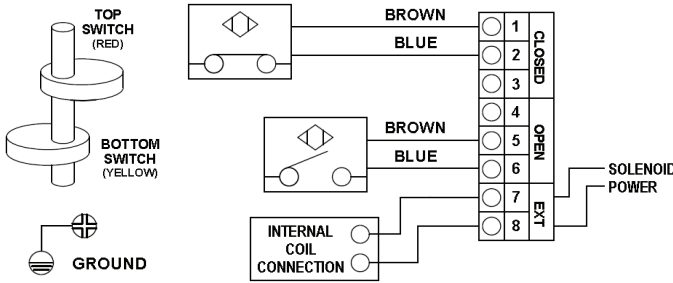
Part # NEXUSLP(*)Q30(**) = Proximity Sensors NC (3-Wire) Magnetic Sensors

Wiring Diagram# WDNX2M50S



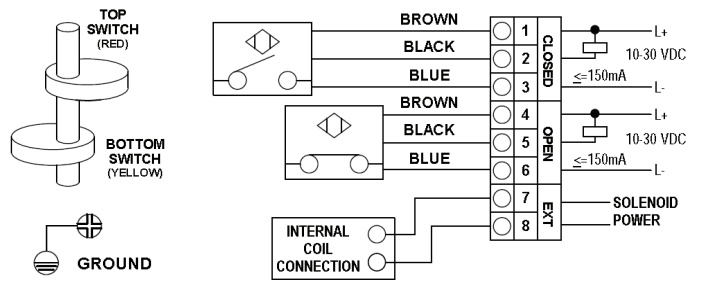
Part # NEXUSLP(*)M50(**) = Mechanical Switches 2 DPDT

Wiring Diagram# WDNX2P20S



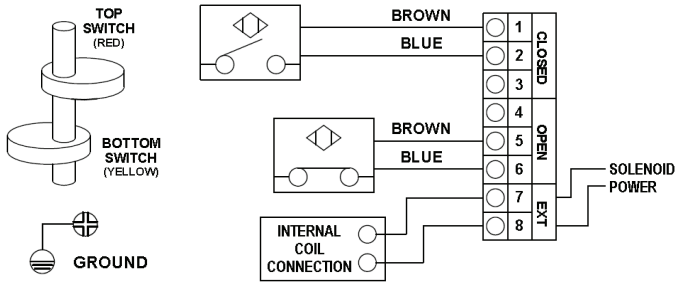
Part # NEXUSLP(*)P20(**) = Proximity Sensors NO (2-Wire) Inductive Sensors

Wiring Diagram# WDNX2P3AS



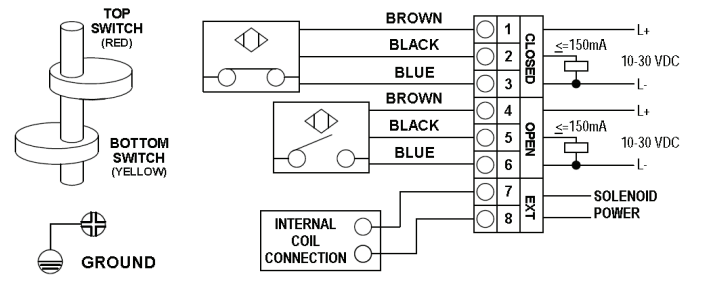
Part # NEXUSLP(*)P3A(**) = Proximity Sensors NPN NC (3-Wire) Inductive Sensors

Wiring Diagram# WDNX2PP0S



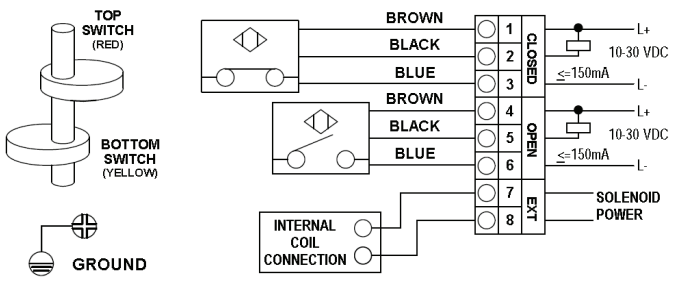
Part # NEXUSLP(*)PP0(**) = Proximity Sensors NC (2-Wire) (P & F) Inductive Sensors

Wiring Diagram# WDNX2P3BS



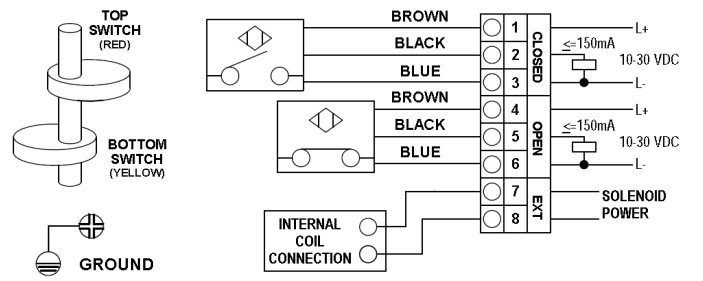
Part # NEXUSLP(*)P3B(**) = Proximity Sensors PNP NO (3-Wire) Inductive Sensors

Wiring Diagram# WDNX2P30S



Part # NEXUSLP(*)P30(**) = Proximity Sensors NPN NO (3-Wire) Inductive Sensors

Wiring Diagram# WDNX2P3CS



Part # NEXUSLP(*)P3C(**) = Proximity Sensors PNP NC (3-Wire) Inductive Sensors