

SERIES L4 | W.E. ANDERSON FLOTECT® FLOAT SWITCH

FEATURES/BENEFITS

- Unique magnetically actuated switching design gives superior performance
- No bellows, springs, or seals to fail
- Free-swinging float attracts a magnet within the solid metal switch body, actuating a snap switch by means of a simple lever arm
- Float arm hinge design limits the arm angle to prevent vertical hang up

APPLICATIONS

- Direct pump control for maintaining level
- Automatic tank dump operations
- Level control
- Valve control
- Level alarm in sumps, scrubber systems, hydro-pneumatic tanks, boilers, and water/wastewater treatment processes



DESCRIPTION

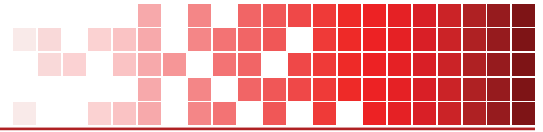
The **SERIES L4** FloTECT® Float Switches is a rugged and reliable float switch which operates automatically to indicate tank level.

SPECIFICATIONS

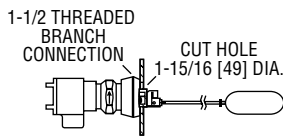
Service	Liquids compatible with wetted materials.
Wetted Materials	Float and Rod: 316 SS; Body: Brass or 316 SS standard; Magnet Keeper: 430 SS standard, 316 SS or nickel optional.
Temperature Limits	4 to 275 °F (-20 to 135 °C) standard, MT high temperature option 400 °F (205 °C) [MT option not UL, CSA, ATEX or IECEx]. ATEX and IECEx options: Ambient temperature -4 to 163 °F (-20 to 73 °C); Process temperature -4 to 163 °F (-20 to 73 °C).
Pressure Limit	Brass body 1000 psig (69 bar), 316 SS body 2000 psig (138 bar). Standard float rated 100 psig (6.9 bar). For other floats, see options.
Enclosure Rating	Weatherproof and Explosion-proof. **Listed with UL and CSA for Class I, Groups C and D; Class II, Groups E, F, and G. ATEX $\text{CE 0344 Ex II 2 G Ex d IIB T6 Gb -20}^\circ\text{C}\leq\text{Tamb}\leq\text{73}^\circ\text{C}$. -20 °C ≤ Process Temp ≤ 73 °C. EC-Type Certificate No.: KEMA 03 ATEX 2383. ATEX Standards: EN60079-0: 2009; EN60079-1: 2007. IECEx Certified: For Ex d IIB T6 Gb -20 °C ≤ Tamb ≤ 73 °C. -20 °C ≤ Process Temp ≤ 73 °C. IECEx Certificate of Conformity: IECEx DEK 11.0071. IECEx Standards: IEC 60079-0: 2007; IEC 60079-1: 2007.
Switch Type	SPDT snap switch standard, DPDT snap switch optional.
Electrical Rating	UL, FM, ATEX and IECEx models: 10 A @ 125/250 VAC (V~). CSA models: 5 A @ 125/250 VAC (V~); 5 A res., 3 A ind. @ 30 VDC (V---). MV option: 1 A @ 125 VAC (V~); 1 A res., .5 A ind. @ 30 VDC (V---). MT option: 5 A @ 125/250 VAC (V~). [MT and MV option not UL, CSA, FM, ATEX or IECEx].
Electrical Connections	UL and CSA models: 16 AWG, 6" (152 mm) long. ATEX and IECEx unit: terminal block.
Conduit Connection	3/4" female NPT standard or M25 with -BSPT option.
Process Connection	1-1/2" male NPT or 1-1/2" male BSPT standard, 2-1/2" male NPT or 2-1/2" male BSPT standard optional floats.
Mounting Orientation	Horizontal installation standard, optional vertical top mount.
Dead Band	3/4" (19 mm) for standard float.
Specific Gravity	0.7 minimum with standard float. For other floats see model chart.
Weight	4 lb 9 oz (2.07 kg).
Agency Approvals	ATEX, CE, CSA, FM, IECEx, UL**.

**No housing option (-NH) has no approvals

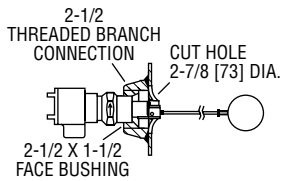




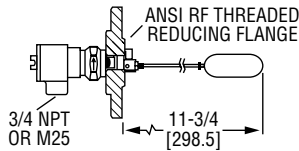
DIMENSIONS



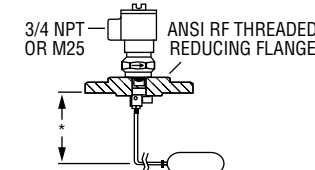
Standard Installation



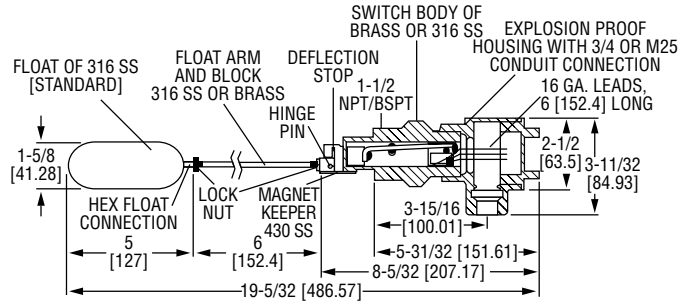
Horizontal, 2-1/2 Threaded Branch Connection Installation with Optional 2-1/2 [64] Spherical Float



Horizontal, Flange Installation



Vertical, Flange Installation



HOW TO ORDER

Use the **bold** characters from the chart below to construct a product code.

<p>SERIES</p> <p>L4 - FLOTECT® Float switch</p> <p>BODY</p> <p>BLANK - Brass</p> <p>-SS - 316SS (body and float with 430SS magnet keeper (wetted part))</p> <p>HOUSING</p> <p>BLANK - With housing</p> <p>-NH - No housing (has no approvals)</p>	<p>L4</p> <p>-SS</p> <p>-BSPT</p>	<p>OPTIONS</p> <p>-D - DPDT contacts</p> <p>-MV - Gold plated contacts, options for dry circuits*</p> <p>-MT - High temperature, option rated 400°F (204°C)*</p> <p>-TRI - Time delay relay with 2 SPDT contacts, adjustable from 0-1 to 0-31 minutes (increasing flow)</p> <p>-TRD - Time delay relay with 2 SPDT contacts, adjustable from 0-1 to 0-31 minutes (decreasing flow)*</p> <p>-316 - 316 SS magnet keeper, option to replace standard 430 SS (316SS body and float with 430SS magnet keeper (wetted part))</p> <p>-AT - ATEX compliant construction</p> <p>-IEC - IECEx certified construction</p> <p>-TOP - Top mounted for vertical flange installation [distance from flange face to centerline of float to be specified, 20" (508 mm) max]</p> <p>-50 - Optional float (2-1/2" spherical) 304 SS rated 50 psig (3.5 bar) and 0.5 min. s.g.</p> <p>-150 - Optional float (2-1/2" spherical) 316 SS rated 150 psig (10.3 bar) and 0.7 min. s.g.</p> <p>-300 - Optional float (2-1/2" spherical) 304 SS rated 300 psig (20.7 bar) and 0.7 min. s.g.</p> <p>-BSPT - 1-1/2" or 2-1/2" male BSPT process connection and M25 conduit connection</p>
---	--	---

*See electrical rating in specification, no listings or approvals

Important Notice: Dwyer Instruments, Inc. reserves the right to make changes to or discontinue any product or service identified in this publication without notice. Dwyer advises its customers to obtain the latest version of the relevant information to verify, before placing any orders, that the information being relied upon is current.

