

Type 1005S Commercial Pressure Gauge



Shown with Optional Rubber Boot

FEATURES

- Case material is stainless steel
- These gauges have a heat-resistant push-in polycarbonate window
- Patented PowerFlex™ movement with polyester segment
- True Zero™ indication, a unique safety feature

Ashcroft® Type 1005S gauges are available in 1½" and 2" dial sizes. The full-view polycarbonate push-in window allows for better dial visibility. For added resistance to harsh environmental conditions, the 1005S dial material is aluminum.

Ashcroft Type 1005S gauges use the patented PowerFlex movement with polyester segment, which increases the ability to resist rough usage, thereby helping to lengthen the life of the gauge.

True Zero indication reduces the potential risk of installing a damaged gauge on your equipment.

FlutterGuard™ is available to eliminate pointer flutter and extend gauge life.

COMMONLY USED ON

Applications requiring a high degree of corrosion resistance, automotive applications, medical equipment, industrial machining and a variety of other applications

PRODUCT SPECIFICATIONS

Ashcroft® Model No.: 1005S

Size: 1½", 2"

Case: Stainless steel

Window: Polycarbonate, push-in

Dial: Black figures on white background, aluminum

Pointer: Black, aluminum

Bourdon tube: "C" shaped bronze (Vac.-600 psi and compound)

Movement: Patented PowerFlex with polyester segment

Socket: Brass

Connection: 1½" Gauges ½ NPT back only
2" Gauges ½ and ¼ NPT lower and back connect.

Ranges: Vac.- 600 psi and compound
(1½" available in vac.-300 psi only)

Accuracy: ASME B40.100, Grade B (±3-2-3% of span)

Operating

temperature: -40°F to 150°F, -40°C to 65°C

OPTIONAL FEATURES

Factory variation code in ()

Case: Vent hole (VH)

Pointer: Adjustable (AP)

Socket: Nickel plated brass (NP)
Nonstandard length or thread
Throttle plugs, 0.007", 0.013",
0.020", 0.063" orifices
Teflon taped threads (TC)

Movement: FlutterGuard (SF)

Others: Bulk packaging (ZO)

Customized dials

Non standard ranges and special calibration on application

Top or side connection: (02D = right side); (02E = left side); (02T = top connection)

Receiver ranges: 3/15 psi, 0/10 square root, 0/100% (PR)

Black Rubber Gauge Boot for 2" lower connect gauge

HOW TO ORDER (Typical example)

Dial Size: 2" 20 W 1005 S H 02L XAP 100#

Movement: Patented PowerFlex™ _____

Case Type Number: 1005 _____

Case Material: Stainless Steel _____

Socket Material: Brass _____

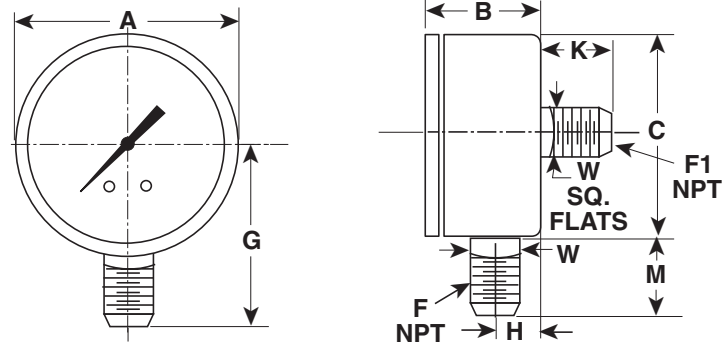
Connection Size/Location: ¼ NPT Lower _____

Option: Adjustable Pointer _____

Range: 100 psi _____

Type 1005S Commercial Pressure Gauge

DIMENSIONS



DIAL SIZE Inches (mm)	A	B		C	F NPT	F1 NPT	G	H	K	M	W		WEIGHT OZ / KG	
		LOWER	BACK								LOWER	BACK	LOWER	BACK
1½"	1.62 (42)	—	0.99 (25)	1.60 (41)	—	⅛	—	—	0.67 (17)	—	—	0.44 (11)	—	1.98 oz 0.056 kg
2"	2.09 (53)	1.04 (26)	1.04 (26)	2.05 (52)	⅜ or ¼	⅝ or ¼	1.85 (47)	0.34 (9)	0.88 (22)	0.82 (21)	0.56 (14)	0.56 (14)	2.96 oz 0.084 kg	3.46 oz 0.098 kg