

FEATURES

- Direct acting valves with stainless steel seat ensure a long continuous cycling life in severe steam applications
- The solenoid valves have forged brass bodies, compact design, to minimize heat radiation parts
- Valves do not require a minimum operating pressure
- RoHS compliance
- Compliance with UL and CSA standards
- The solenoid valves satisfy all relevant EU Directives

GENERAL

Differential pressure See «SPECIFICATIONS» [1 bar =100 kPa]
Response time 5 - 25 ms

fluids (*)	temperature range (TS)	seal materials (*)
hot water, steam	-20°C to +160/165°C	PTFE

CONSTRUCTION

MATERIALS IN CONTACT WITH FLUID	
(*) Ensure that the compatibility of the fluids in contact with the materials is verified	
Body	Brass
Shading coil	Copper
Core tube	Stainless steel, AISI 305
Core and plugnut	Stainless steel, AISI 430F
Springs	Stainless steel, AISI 302
Seal	PTFE
Disc	PTFE

ELECTRICAL CHARACTERISTICS

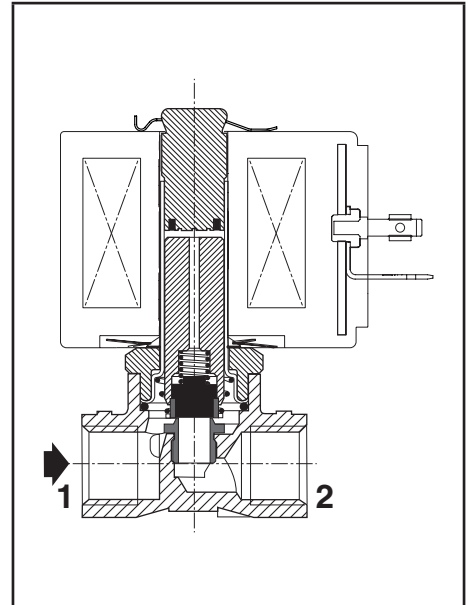
Coil insulation class	H (AC)
Connector	Spade plug (cable Ø 6-10 mm)
Connector specification	ISO 4400 / EN 175301-803, form A
Electrical safety	IEC 335
Electrical enclosure protection	Moulded IP65 (EN 60529)
Standard voltages	(Other voltages and 60 Hz on request) AC (~) : 24V - 48V - 115V - 230V/50 Hz

operator ambient temperature range (TS) (°C)	power ratings				replacement coil ⁽¹⁾	
	inrush ~ (VA)	holding ~ (VA) (W)		hot/cold = (W)	~ 230 V/50 Hz	= 24 V DC
0 to +55	50	25	10,1	-	238813-059	-

⁽¹⁾ All 238 basic numbers are UL & CSA approved and marked with the UR (recognised component) & CSA logos.

OPTIONS

Connector with visual indication and peak voltage suppression or with cable length of 2 m (www.asco.com)

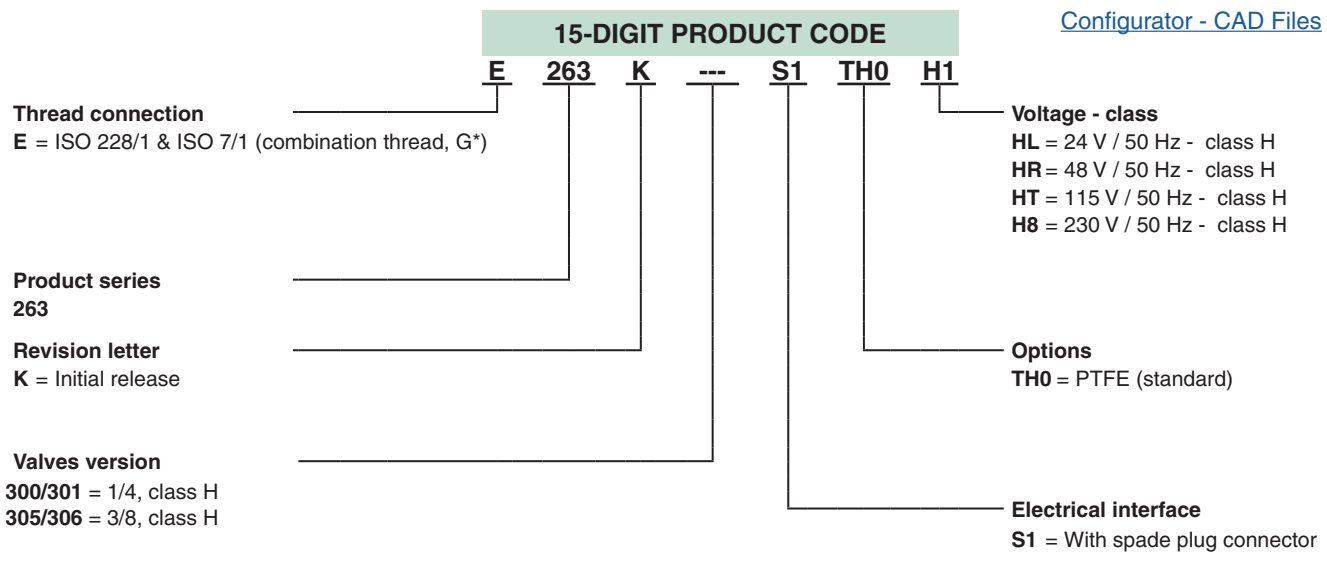


SPECIFICATIONS

pipe size	orifice size (mm)	flow coefficient Kv (m ³ /h) (l/min)		operating pressure differential (bar)				max. fluid temp. (°)	class	power coil (W)	thread type	dimensions / type (1)	15-DIGIT PRODUCT CODE					
				min.	max. (PS)		brass						voltage code					
					steam (*)	water (*) (2)							24 V/50 Hz	48 V/50 Hz	115 V/50 Hz	230 V/50 Hz	.	.
WITHOUT MANUAL OPERATOR																		
NC - Normally closed																		
1/4	4	0,45	7,5	0	7,6	14,5	165	H	10,1	G*	01	E263K300S1TH0	HL	HR	HT	H8	-	-
	5,6	0,45	7,5	0	4,8	6,6	160	H	10,1	G*	01	E263K301S1TH0	HL	HR	HT	H8	-	-
3/8	4	0,63	10,5	0	7,6	13,8	165	H	10,1	G*	01	E263K305S1TH0	HL	HR	HT	H8	-	-
	5,6	0,63	10,5	0	4,8	6,6	160	H	10,1	G*	01	E263K306S1TH0	HL	HR	HT	H8	-	-

(1) For dimensions, see drawing(s) for each construction type on the following page(s).
 (2) Water temperature should not exceed 100°C.

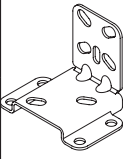
(*) Ensure that the compatibility of the fluids in contact with the materials is verified.



[Configurator - CAD Files](#)

SPARE PARTS KITS CODE (*)			
AC (-)			PTFE
	E263K300	M200045	TH0
	E263K301	M200050	TH0
	E263K305	M200045	TH0
	E263K306	M200050	TH0

(*) Ensure that the compatibility of the fluids in contact with the materials is verified.

		ACCESSORIES CODE
	Mounting bracket Steel version (AISI 1010 / 1.1121)	M200094A00
	Mounting bracket Stainless steel version (AISI 304 / 1.4301)	M200095A00

INSTALLATION

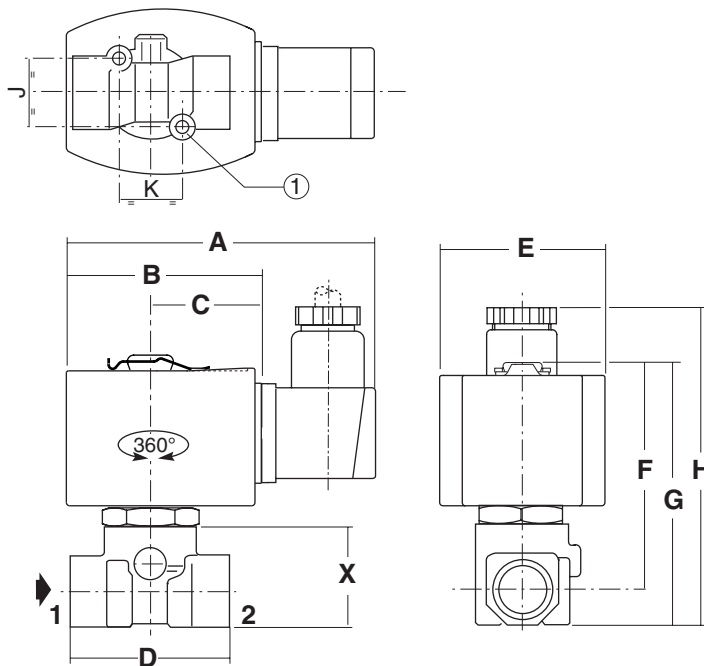
- The solenoid valves can be mounted in any position without affecting operation
- Solenoid valves have 2 mounting holes in body
- Thread connection “E” have standard thread according to ISO 228/1 and ISO 7/1
- Installation/maintenance instructions are included with each valve

DIMENSIONS (mm), WEIGHT (kg)

[Configurator - CAD Files](#)



TYPE 01
 Electrical interface “S1”
 Epoxy moulded
 IEC 335 / ISO 4400
 IP65



type	pipe size	A	B	C	D	E	F	G	H	X	weight ⁽¹⁾
01	1/4	95	57	33	40	50	65	75	92	30	0,61
	3/8	95	57	33	48	50	64	76	93	32	0,63

① 2 mounting holes M5 dia., depth 6 mm.

⁽¹⁾ Incl. coil(s) and connector(s).

