

Series K8 Ball Valve

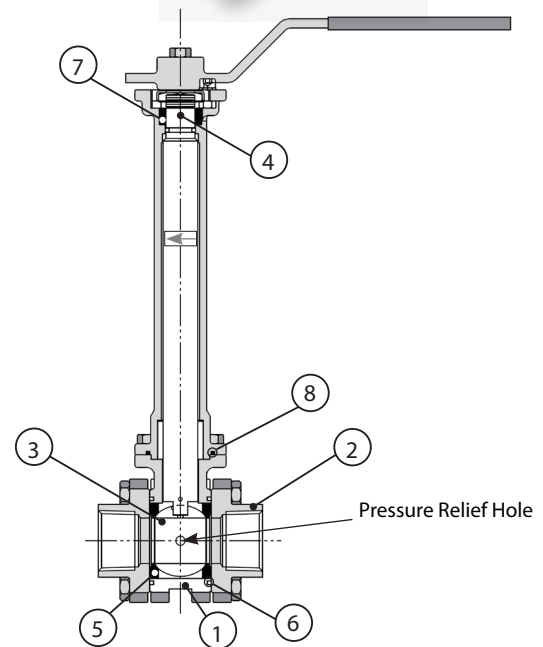
Three-Piece Cryogenic Ball Valve, Standard Port
 Sizes 1/2" ~ 2"



The SVF Series K8 Cryogenic Ball Valve is the quality solution for tough application involving all types of cryogenics: oxygen, hydrogen, methane, ammonia, nitrogen, fluorine and LNG. Our complete line of K8 Cryogenic Valves are backed by years of successful field experience and incorporates superior technology and design.

SERIES K8 DESIGN FEATURES

- ✓ High performance design for process-quality applications
- ✓ Pressure rated to 2000 WOG
- ✓ Anti-Static stem device
- ✓ Three-piece "swing out" design offers easy access for in-line maintenance
- ✓ ISO 5211 mounting pad for direct mount automation
- ✓ Standard seat material is PCTFE
- ✓ Blowout proof stem adds safety & reliability
- ✓ Standard locking device
- ✓ Meets testing requirements of BS 6364 standard



MATERIALS OF CONSTRUCTION

ITEM	DESCRIPTION	MATERIALS SPECIFICATIONS
1	Body	316 Stainless Steel (ASTM A351 CF8M)
2	End Connector	316L Stainless Steel (ASTM A351 CF3M)
3	Ball	316 Stainless Steel (ASTM A351 CF8M)
4	Stem	17-4 pH Stainless Steel (ASTM A564 630)
5	Seat	PCTFE
6	Body Seal	Grafoil / PCTFE
7	Stem Seal	PCTFE
8	Bonnet Seal	Grafoil / PCTFE

SPECIFICATION STANDARDS OF COMPLIANCE

SVF Series K8 Ball Valves have been
 third party tested
 according to BS 6364 standard

What do you need today?™



Series K8 Ball Valve

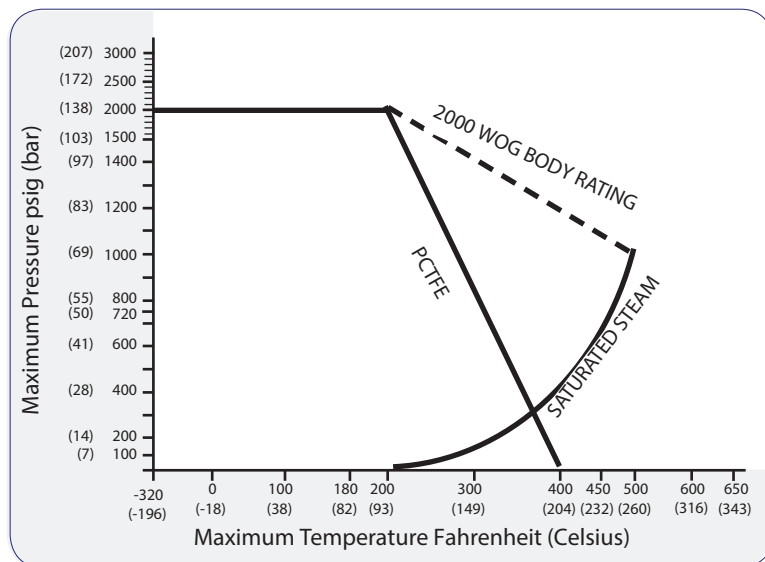
Three-Piece Cryogenic Ball Valve, Standard Port
 Sizes 1/2" ~ 2"



DIMENSIONS, WEIGHT, C_v, TORQUE

Size	A		B		D		L		Weight		C _v	Torque* PCTFE	
	in.	mm	in.	mm	in.	mm	in.	mm	lbs	kg		in-lbf	Nm
1/2"	2.95	75	0.59	15	6.1	156	10.8	274	4.1	1.8	37	180	20
3/4"	2.95	75	0.59	15	6.1	156	10.8	274	4.4	2.0	38	180	20
1"	3.15	80	0.79	20	6.1	181	10.9	276	4.9	2.2	71	240	27
1-1/2"	4.33	110	1.22	31	7.1	181	11.50	292	8.3	3.7	177	400	45
2"	4.72	120	1.50	38	15.5	395	15.9	403	15.6	7.1	280	500	56

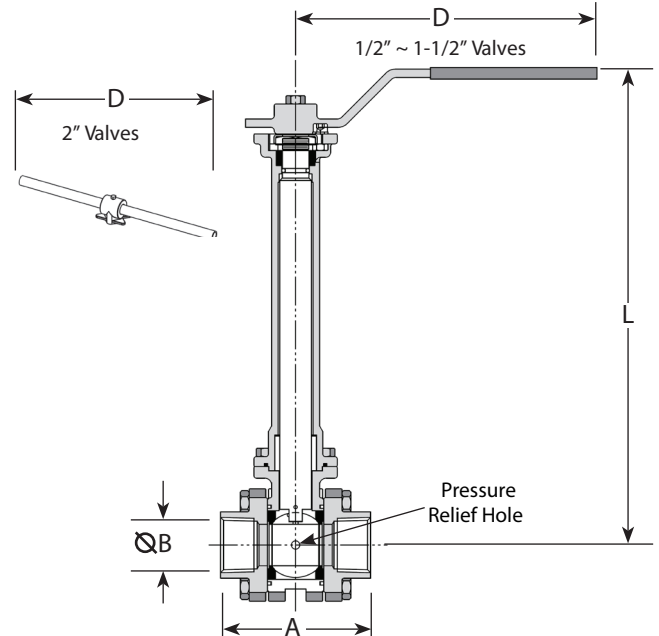
K8 - PRESSURE/TEMPERATURE CHART



Class 900

Note: Maximum pressure & temperature is limited to the seat material rating

* At full differential pressure for clean fluids (-320°F (-196 °C))



Series K8 Ball Valve

Three-Piece Cryogenic Ball Valve, Standard Port
 Sizes 1/2" ~ 2"



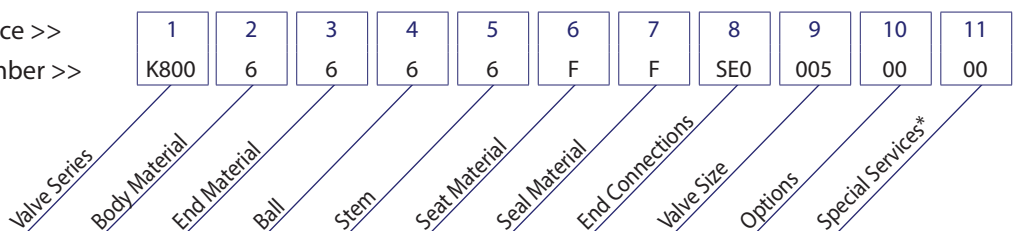
How To Order Guide (Columns 1 thru 11)

1 SERIES	2 BODY	3 ENDS	4 BALL	5 STEM	6 SEAT MATERIAL	7 BODY SEAL	8 END CONNECTIONS	9 VALVE SIZE	10 OPTIONS	11 SPECIAL SERVICES*
K800	6 = 316 Stainless Steel ASTM A351 CF8M	6 = 316L Stainless Steel ASTM A351 CF3M	6 = 316 Stainless Steel ASTM A351 CF8M	M = 17-4pH Stainless Steel ASTM A564 630	F = PCTFE	G = GRAFOIL F = PCTFE	SE0 = Threaded Ends (FNPT) SW0 = Socket Weld Ends RF1 = 150# Flange Ends (Raised Face)	005 = 1/2" (Full Port) 007 = 3/4" 010 = 1" 015 = 1-1/2" 020 = 2"	00 = None	00 = None XC = Oxygen Cleaned

Order Example: (K8006666FFSE00050000) The Part Number will contain 20 digits.

Ordering Code Sequence >>

Sample Part Number >>



*Not all Special Services available on all ball valves. Consult SVF for additional information.